

POWERED by
HONDA



Highest Quality Post Drivers and Post Pullers



GPD-40 Fence Pro™ *Gas Powered Driver*

OWNERS MANUAL

Form No. 301800-03/2014

TAKE SAFETY SERIOUSLY

Your safety, and the safety of others, is very important. The proper and safe use of your Rhino® post driver is an important responsibility and should be taken seriously.

This entire book is filled with important safety information. Please read it carefully.

Keep this owner's manual handy, so you can refer to it at any time. This owner's manual is considered a permanent part of the post driver and should remain with the post driver if resold.

The information and specifications included in this publication were in effect at the time of approval for printing. Rhino Tool Company, Inc. reserves the right, however, to discontinue or change specifications or design at any time without notice and without incurring any obligation whatever. No part of this publication may be reproduced without written permission from Rhino Tool Company.

To help you make informed decisions about safety, you will find important safety information in a variety of forms, including:

- Safety Labels on the post driver
- Safety Messages Preceded by a safety alert symbol and one of three signal words, DANGER, WARNING, or CAUTION.

These signal words mean:



Immediate hazards that will result in severe personal injury or death.



Hazards or unsafe practices that could result in personal injury.



Hazards or unsafe practices that could result in injury, product or property damage.

- Safety Headings such as IMPORTANT SAFETY INFORMATION.
- Safety Section such as POST DRIVER SAFETY.
- Instructions how to use this post driver correctly and safely.



CONTENTS

Section	Page
Safety Symbol Description	i
Table of Contents	1
Introduction	2
Rhino® GPD-40 Fence Pro™ Driver Safety	3
Rhino® GPD-40 Fence Pro™ Operating Instructions	5
Starting the Engine	6
Hot Restart	7
Driving a Post	8
GPD-40 Fence Pro™ Maintenance	9
Rhino® GPD-40 Fence Pro™ Service Instructions	10
Servicing Crankshaft and Piston	10
Service of the Hammer and Anvil	12
Rhino® GPD-40 Fence Pro™ Parts List	16
Limited Warranty and Registration	20
Troubleshooting	21

INTRODUCTION

Congratulations on your selection of the Rhino® GPD-40 Fence Pro™ post driver. We are certain that you will be pleased with your purchase. GPD-40 Fence Pro™ post driver is built with extremely high quality components. From the fasteners to the venerable Honda GX35 engine, every component of this post driver is first quality.

Whether you are a farmer, a vintner, a sign installer or a professional fence contractor, we want you to get the best results from your new Rhino® post driver and to operate it safely. This manual contains the information on how to do just that; please read it carefully.

This post driver was assembled with the Honda GX35 engine. Honda supplies its own owner's manual that covers all the operator and service issues associated with the Honda engine. Please read this manual as closely as you do the Rhino manual. The success that you experience with this tool is dependent upon your knowledge and understanding of how to properly

operate and care for the Honda engine installed on your new post driver.

As you read this manual, you will find information preceded by a NOTICE symbol. That information is intended to help you avoid damage to your post driver, other property, or the environment.

We suggest you read the warranty information fully and understand its coverage and your responsibilities of ownership. Fill out the warranty registration card or online registration to receive Rhino® Lifetime Limited Warranty.

Please read and understand the Honda warranty policy. The Honda warranty is separate from the Rhino® warranty and is subject to its own coverage conditions and responsibility requirements. The warranty is a separate document and should have been included with the Honda owner's manual.

When your Rhino® post driver needs scheduled maintenance, the technical ser-

vice staff here at Rhino Tool Company is standing by to assist you if you require assistance. Our fully trained staff can ensure that you receive the correct service kit or direct you to the nearest Rhino Servicing Dealer.

If it is the engine that requires scheduled maintenance, keep in mind that your Honda service dealer is fully equipped and specially trained in servicing the Honda engine. Your Honda servicing dealer is dedicated to your satisfaction, and will be pleased to answer your questions and concerns.

Again, congratulations on your selection and from the dedicated team here at Rhino Tool Company, THANK YOU for choosing a genuine Rhino® post driver.

Kindest Regards,
The Rhino Tool Team

POST DRIVER SAFETY

IMPORTANT SAFETY INFORMATION

The Rhino® GPD-40 Fence Pro™ powered gas operated post driver is designed to drive fence posts, ground rod, post delineator posts, grape stakes, form pins, tent stakes and other like items into the ground. Uses, other than those intended, can result in injury to the operator as well as those around the operator. Damage to the driver and to the surrounding area may result as well.

This post driver is intended for use by professional installers. Never allow children to operate this tool.

Most accidents can be prevented if you follow all instructions in this manual and on the post driver. The most common hazards are discussed below, along with the best method to protect yourself and others.

⚠ WARNING UNDERGROUND UTILITIES: Driving a post into an underground utility can be **EXTREMELY DANGEROUS**, exposing the operator and those around to potentially life threatening danger. Damage to surrounding property can also occur as a

result of a post being driven into an underground utility. Be absolutely certain that you are aware of all underground utilities in the area in which you intend to drive posts. Ensure that a certified locating service has identified all underground utilities prior to beginning your project. Failure to do so can be catastrophic. Underground utilities include but are not limited to: Electric, Gas, Telephone, Water, Sewer, TV Cable, Lawn Sprinklers, etc.

⚠ WARNING GASOLINE: Gasoline is **HIGHLY FLAMMABLE** and **EXPLOSIVE**. You can be burned or seriously injured when handling fuel.

⚠ WARNING EXHAUST: The exhaust from the engine contains poisonous carbon monoxide gas that can build up to dangerous levels in closed areas. Breathing carbon monoxide can cause unconsciousness or death.

Never run the engine in a closed or even partly closed area where people may be present.

⚠ WARNING The engine exhaust from this product contains chemicals known to the State of California to cause cancer, birth defects or other reproductive harm.

⚠ WARNING ENGINE MAINTENANCE: Improperly maintaining the engine on this power tool, or failure to correct a problem before operation, can cause a malfunction in which you can be seriously hurt or killed.

In accordance with the engine owner's manual, always perform a pre-operation inspection of the engine before each use and correct any problem.

⚠ WARNING DRIVER MAINTENANCE: Improperly maintaining the driving mechanism on this power tool, or failure to correct a problem before operation, can cause a malfunction in which you can be seriously hurt or killed.

In accordance with this manual, always

perform a pre-operation inspection of the driving mechanism before each use and correct any problem.

WARNING Do not lend or rent your post driver without the instruction manuals. Be sure that anyone using it understands the information contained in these manuals.

WARNING Do not use this post driver for any purpose other than driving posts into the ground. Misuse may result in personal injury or property damage, including damage to the machine

WARNING Minors should never be allowed to use this power tool. Bystanders, especially children, and animals should not be allowed in the area where it is in use.

WARNING NEVER let your power tool run unattended. When it is not in use, shut it off and make sure that unauthorized persons do not use it.

WARNING Do not operate this post driver unless the operator is wearing safety glasses, safety shoes, hearing protection, gloves or any other safety equipment advised by, ANSI, NIOSH, OSHA, or any other safety regulatory agency, or the employer or the owner of this post driver.

Bystanders should, at a minimum, wear safety glasses and hearing protection while in the presence of this power tool during operation.

WARNING Prolonged use of a power tool (or other machines) exposing the operator to vibrations may produce white finger disease (Raynaud's phenomenon) or carpal tunnel syndrome. These conditions reduce the hand's ability to feel and regulate temperature, produce numbness and burning sensations and may cause nerve and circulation damage and tissue necrosis.

Not all factors contributing to white finger disease are known, but cold weather, smoking and diseases or physical condi-

tions that affect blood vessels and blood transport, as well as high vibration levels and long periods of exposure to vibration are mentioned as factors in the development of white finger disease.

In order to reduce the risk of white finger disease and carpal tunnel syndrome, please note the following:

- The Rhino GPD-40 Fence Pro™ has been designed with spring dampened anti-vibration handles to reduce the transmission of vibrations created by the machine to the operator's hands.

An anti-vibration system is recommended for those persons using power tools on a regular or sustained basis.

- The handle opposite the throttle handle has been fitted with an EVA foam grip further dampening vibrations.
- Wear gloves and keep your hands warm.
- Ensure that the EVA foam and the spring dampening system are in good working condition.

IMPORTANT SAFETY INFORMATION

POST DRIVER SAFETY... continued

- Ensure the post driver has no loose components. Loose components lead to high vibration levels.
- Maintain a firm grip at all times, but do not squeeze the handles with constant, excessive pressure. Take frequent breaks.

All of the above mentioned precautions do not guarantee that you will not sustain white finger disease or carpal tunnel syndrome. Therefore, continual and regular users should closely monitor the condition of their hands and fingers. If any of the above symptoms appear, seek medical advice immediately.



WARNING

DO NOT modify this power tool in any way.



CAUTION

DO NOT put anything other than a post into the chuck on the driver.



CAUTION

DO NOT operate your post driver unless it is on a post to be driven. Operation of the

driver without it driving on a post could damage the power tool.



CAUTION

SURROUNDINGS: This power tool emits noise which may be disturbing to animals and livestock. Ensure prior to operation, that any livestock are cleared from the operational area to prevent a situation in which startled livestock become a safety hazard.

WARNING LABELS

If your post driver's warning label is marred or destroyed, replace it immediately. Simply call Rhino Tool Company and we will send you a new warning label at no expense to you.

GPD-40 Fence Pro™ Operating Instructions

Your Rhino® GPD-40 Fence Pro™ Gas Powered Driver is an efficient and effective power tool designed and developed to tackle a difficult and time consuming task; driving posts.

It is very important to understand that your post driver is a very powerful machine; it has to be to do the very difficult job it is designed to perform. With proper care and maintenance, your Rhino® GPD-40 Fence Pro™ will give you many years of trouble free service.

You must read and understand your post driver operating instructions before using the post driver. It is also very important that you make sure all operators are trained to operate your post driver safely. If you or any operator doesn't understand any of the instructions in this manual, call Rhino Tool Company at 866-707-1808 or 309-853-5555 and we will be happy to answer any questions you may have.

GPD-40 Fence Pro™ Operating Instructions... continued

⚠ WARNING AVOID SERIOUS INJURY OR DEATH
READ THIS MANUAL BEFORE USING YOUR POST DRIVER

Visually inspect your GPD-40 Fence Pro™ Post Driver before use. The interior of the chuck tube should be checked for obstructions, damage or wear to the chuck tube

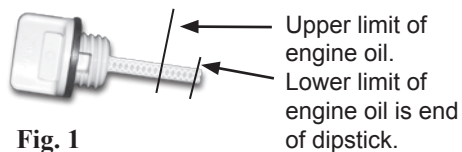


Fig. 1

and anvil inside. The outer surfaces of the driver should also be inspected for any defects. Do not use the GPD-40 Fence Pro™ if there is any damage or wear until the damage or wear is corrected and repaired.

Check all fluid levels, i.e. engine oil and fuel and fill as needed as per manufacturer's specifications.

NOTE Proper oil level is essential to the operation of the post driver. Overfilling of the oil will result in loss of power and may cause permanent damage to the engine.

⚠ WARNING USE ALL RECOMMENDED SAFETY EQUIPMENT.

Rest the driver on a solid surface, i.e. tailgate, bench, or clear, solid ground and posture your body in a safe position. DO NOT start the driver anywhere but an open, well-ventilated area. It is recommended that the GPD-40 Fence Pro™ only be used outdoors and never inside an enclosed building.

Starting the Engine:

To start a COLD engine, move the choke lever to the CLOSED position (Fig. 3). Lock the throttle into high idle position. (Fig. 2) This is done by depressing the trigger and the high idle lock simultaneously. The throttle is now in the high idle position.

To start a WARM engine, leave the choke lever in the OPEN position and do not lock the throttle into the high idle position.

Press the priming bulb repeatedly (Fig. 4) until fuel can be seen in the clear-plastic fuel return tube.

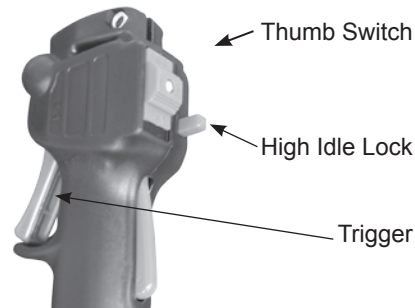


Fig. 2

GPD-40 Fence Pro™ Operating Instructions... continued

Slide thumb switch on throttle handle down or into the **ON** position.

Grasp the starter grip lightly until you feel resistance, (**Fig. 5**) then pull briskly in the direction of the arrow as shown below. Return the starter grip gently.

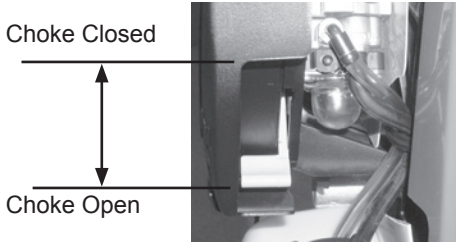


Fig. 3

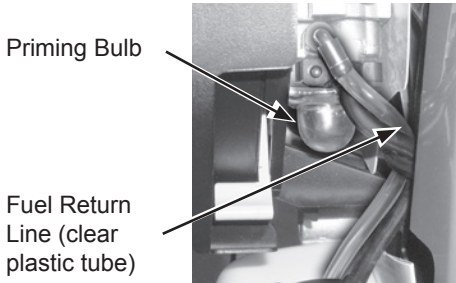


Fig. 4

Do not extend the starter rope to its full length as it can cause damage the recoil mechanism

CAUTION An operator should never wrap the starter rope around their hand. This will cause serious injury.

NOTE Do not allow the starter grip to snap back against the engine. Return it gently to prevent damage to the starter.

If the choke lever was moved to the **CLOSED** position to start the engine, gradually move it to the open position as the engine warms up. As the engine warms up also release the high idle lock Starter Grip



Fig. 5

by slightly depressing the trigger and then immediately releasing it. Use caution as to not engage the clutch.

Hot Restart

If the engine is operated at higher ambient temperatures, then turned off and allowed to sit for a short time, it may not restart on the first pull. If necessary, use the following procedure:

Failure to follow instructions can result in personal injury

CAUTION **IMPORTANT SAFETY PRECAUTION**

Turn the engine switch to the **OFF** position before performing the following procedure. This will prevent the engine from starting and running at maximum speed when the throttle is in the **MAX.** speed position. If the engine starts with the throttle in the **MAX.** speed position, the post driver will operate at maximum power. This may result in **personal injury** and damage to the post driver.

GPD-40 Fence Pro™ Operating Instructions... continued

1. Turn the engine switch on the post driver to the **OFF** position.
2. Move the choke lever to the **OPEN** position.
3. Hold the throttle in the **MAX** speed position.
4. Pull the starter grip 3 to 5 times.

Follow the **STARTING THE ENGINE** procedure on the previous page and start the engine with the choke lever in the **OPEN** position.

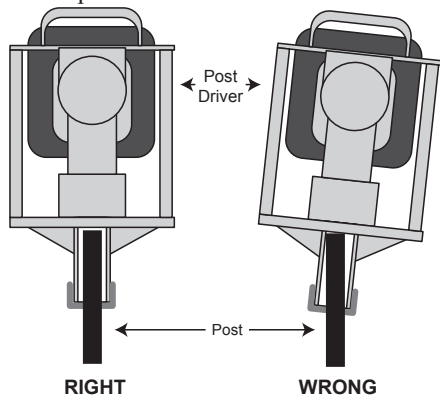


Fig. 6

Driving a Post

Insert a post into the GPD-40 Fence Pro™ making sure the end of the post to be driven is in the correct position on the ground. Position the driver aligned centered to the post. (**Fig. 6**) If not aligned properly, damage could be caused to the driver or the post.

Apply steady downward pressure to the handles and apply enough throttle to engage the clutch and hammer.

Once you are confident that the post is driving straight, apply full throttle to the driver until the post is driven to the desired depth.

Release the trigger dropping the engine RPM back to idle before removing from the post. When the engine has returned to idle, proceed to the next post repeating the previous method of driving a post.

Installing a Chuck Adapter



WARNING **CHUCK SIZE:** A chuck or chuck adapter that is too large for the post being driven

may damage the driver and may batter the end of the post. Using a the appropriate chuck adapter snugly aligns the post to optimum striking position and prevents damage to the driver from bouncing around in a loose fitting chuck. See the chart below to specify the appropriate adapter for your application. Chucks and chuck adapters wear out and should be replaced as needed. Inspect your driver's chuck and chuck adapters frequently.

The GPD-40 Fence Pro is equipped with the Rhino® Chuck-Lok™ Adapter System. It is comprised of the master chuck, the locking nut and two-piece adapters.

Type or Size of Post to be Driven	Chuck/Adapter Required
Fiberglass T-Post	2" Adapter
T-Post	2" Adapter
5/8" to 3/4" Ground Rod	1" Adapter
1" to 1-7/8" Post	2" Adapter
2" to 2-3/8" Post	Master Chuck

GPD-40 Fence Pro™ Operating Instructions... continued

⚠ WARNING ALWAYS HAVE THE LOCKING NUT IN PLACE WHEN DRIVING POSTS: The locking nut should always be tightened onto the master chuck, even when not using an adapter, to protect the chuck threads. Failure to do so exposes the chuck to possible damage.

The two-piece adapter design is a solution for the occasional flared post. Should a post flare and lodge inside the chuck when using the adapter, in most cases the

operator can loosen the locking nut letting it slide down the post, then lift the driver off the post. The operator can quickly re-insert the adapter, secure them with the locking nut and resume driving posts. See the **Fig. 7** and **Fig. 8** for steps for installing Chuck-Lok™ adapters.

Maintenance of the GPD-40 Fence Pro™

⚠ WARNING NEVER REFUEL WITH THE ENGINE HOT OR RUNNING:

Never refuel your GPD-40 Fence Pro™ with the engine hot or running as there is a possibility the flammable fumes from the gasoline can ignite, causing severe injury and/or damage to your GPD-40 Fence Pro™ and surrounding area. Follow engine manufacturer's instructions for the refueling of the engine.

With each use check the engine oil level, air filter, and all fasteners. If necessary, add oil, clean or replace the air filter and tighten any loose nuts, bolts, or any other fastener. (See page 6 for engine oil level)

Change engine oil as per engine manufacturer's specifications. Dispose of used oil in accordance with any local, state, or federal regulations.

To help insure years of operation, wipe down the GPD-40 Fence Pro™ with a clean cloth after each day's use.

Refer to the Service Instructions for more detail regarding maintenance of the Post Driver.

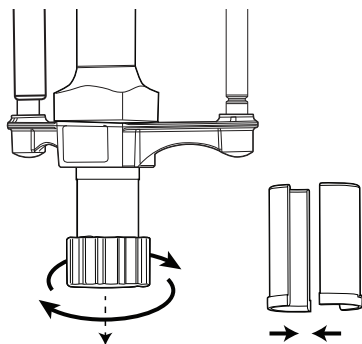


Fig. 7

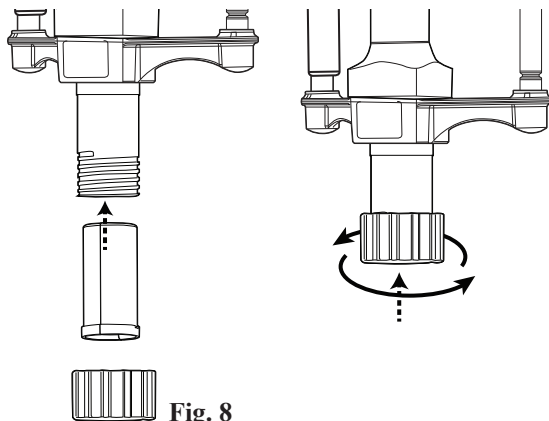


Fig. 8

GPD-40 Fence Pro™ Service Instructions

Following the service requirements for the GPD-40 Fence Pro™ will insure years of trouble free post driving. Always refer to the Honda GX35 manual for maintenance and service on the engine. The following instructions are for the Rhino® GPD-40 Fence Pro™ specifically with general instructions for the Honda GX35. Before any service is preformed, remove the spark plug wire from the spark plug and ground it to the engine body to prevent any accidental start-up of the engine.

Each Use:

1. Check engine oil level. Use SAE 10W-30 to top oil level off, if necessary.
2. Check engine air cleaner. If soiled, clean or replace.
3. Check all engine and post driver fasteners. Retighten to proper specifications if necessary. (See Bolt Torque Specifications on page 19)

First 10 Hours Use of a New or Rebuilt GPD-40 Fence Pro™

1. Change engine oil following the requirement for the Honda GX35. Dispose of used oil according to all local, state, and federal regulations.
2. Check all engine and post driver fasteners. Retighten to proper specifications if necessary.

Every 3 Months or 25 Hours of Use

1. Change engine oil following the requirement for the Honda GX35. Dispose of used oil according to all local, state, and federal regulations.
2. Replace air cleaner elements. This should be performed more often if operated in dusty areas.
3. Check all engine and post driver fasteners. Retighten to proper torque specifications if necessary. (See page 19)

Every 3 Months or 50 Hours of Use

1. Follow the regular scheduled maintenance (each use and 25 hour intervals)
2. Check crankshaft and piston lubrication. (See page 11 for instructions.)

Every 12 Months or 250 Hours of Use

1. Follow the regular scheduled maintenance (each use, 25 hour and 50 hour intervals)
2. Check crankshaft and piston lubrication. See page 11 for instructions.
3. Remove and service the hammer and anvil. See page 12 for instructions.

Servicing Crankshaft and Piston Lubrication

The crankcase cover (p/n 300132) is designed for easy, “no tool” inspection and maintenance. (**Fig. 9**). To remove the cover, grip it tightly with your hand and twist it left (counter-clockwise.) Use caution not to lose or damage the O-ring Seal (p/n 301617).



CAUTION

**DO NOT USE A
HAMMER OR**

**WRENCH TO LOOSEN THE COVER
AS IT MAY CAUSE DAMAGE TO
THE DRIVER.**



Fig. 9 - Crankcase Cover

Visually inspect the color and amount of grease inside the crankcase. There should be a ring of grease collected to the wall inside the crankcase. Should the depth of the ring from the wall inward measure 1/4" (6 mm) or less (**Fig. 10**) this indicates the grease is low. The maximum level should not be more than 1/2" (12.5mm).

If the amount of grease appears to be low, add a small amount of grease. Use only Rhino approved grease (p/n 300500.)

CAUTION DO NOT OVERFILL GREASE AS IT CAN

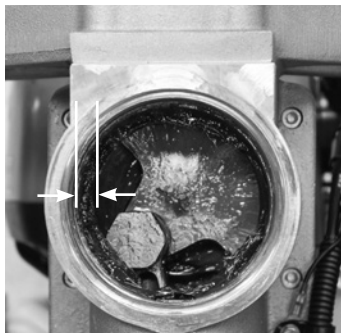


Fig. 10 - If ridge of grease measures 1/4" or less, add a small amount. At maximum level it should measure 1/2".

DAMAGE THE DRIVER AND THE HONDA ENGINE.

If the grease is discolored, very dark or black, it should be removed and the post driver needs further maintenance. This is detailed in the section titled "Service of the Hammer and Anvil."

In the event of complete removal of old and adding fresh grease (**Fig. 11**) the level of grease should be to the bottom of the crank pin. When the required service has been performed in the crankcase, inspect

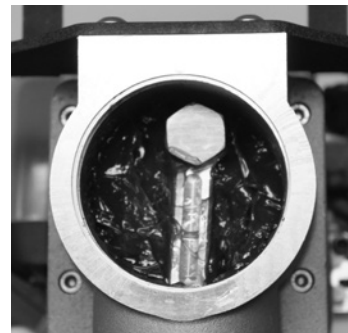


Fig. 11 - After completely cleaning out old grease, add new grease till level with the bottom of the crank pin.

the o-ring seal and replace it on the crankcase cover. Position the crankcase cover on the GPD-40 Fence Pro™ body carefully to start the threads and once in the thread groove, with your hand twist to the right (clock-wise) until it is securely in contact with the post driver body.

CAUTION HAND TIGHTEN ONLY. DO NOT OVERTIGHTEN. Do not use tools, such as a hammer or wrench, to tighten the crankcase cover as it will damage the driver.

Service of the Hammer and Anvil

The tools required for servicing the hammer and anvil are, a 9/64" hex wrench, a 1/4" hex wrench, a 7/8" deep well socket with handle, a torque wrench that reads in inch/pounds, and threadlocker.

Remove the four (4) bolts in the bottom of the lower driver body (p/n 301030). Use caution as the handle tubes (p/n 300220) have anti-vibration springs (p/n 300720) installed and they are under tension.

When the lower driver body is removed,



Fig. 12 - View when Lower Driver Body removed.

it should appear as shown in **Fig. 12**. The anvil o-ring retainer (p/n 301110) will sometimes be removed with the lower driver body or remain in place.

Remove the anvil o-ring cup (p/n 301090) and the anvil (p/n 301160). This can be easily accomplished by pushing a 1" dowel rod or hammer handle into the chuck tube from the opposite side. When the parts are removed, note the order and disassemble for inspection. Check the anvil for any wear. The anvil o-ring (p/n 301616)



Fig. 13 - Anvil with O-ring in place.

should be replaced at this time. Clean the anvil and carefully replace the anvil o-ring. (**Fig 13**) shows an anvil with the o-ring in place.

Remove the large retainer o-ring seals (p/n 301614) and the large retainer (p/n 301110) from the anvil o-ring cup. Inspect the large retainer. The large retainer o-ring seals (p/n 301614) should be replaced at this time. Replace the large retainer if there are any signs of damage or excessive wear.

The anvil o-ring retainer can be removed from the end of the cylinder in the post driver body (p/n 301010) by hand. Use caution as it can become sharp with use of the driver. Remove the hammer (p/n 301080), piston and connecting rod assembly (p/n 301075) by removing the crank pin (p/n 300050). Access to the crank pin is achieved by removing the crankcase cover (p/n 300130), which is described in the section titled "Servicing Crankshaft and Piston Lubrication." Remove the crank pin using the 7/8" deep well

GPD-40 Fence Pro™ Service Instructions... continued

socket. The crank pin has **LEFT-HAND THREADS**. Use caution holding the connecting rod and crankshaft (p/n 300040). The connecting rod and crankshaft can be damaged. Use a small wood or plastic block to keep the crankshaft from rotating. When the crank pin is removed, the piston, connecting rod, hammer can be removed by pushing the connecting rod down into the cylinder until it can be removed from the bottom of the post driver body. Note position of the hammer. The small end of the hammer is toward the anvil as shown in **Fig. 14**. Clean and inspect the hammer for damage or excessive wear. The hammer o-ring seal should be replaced at this time.

Clean and inspect the piston and connecting rod. Insert the crank pin into the bearing on the connecting rod. If there is excessive play or side movement between the two, the connecting rod and possibly the crank pin should be replaced. Check the movement in the bearing in the piston side. If there is excessive play the connecting rod should be replaced. The piston o-

ring seal (p/n 301610) should be replaced at this time. See **Fig. 15**.

Clean and inspect the cylinder and crankcase for any damage or wear. Replace any damaged parts. Lubricate the cylinder, piston, and connecting rod with Rhino approved grease. Insert the connecting rod, with the piston attached, into the cylinder. Push the piston up the cylinder until the bearing in the connection rod aligns with the threaded hole for the crank pin. Insert the crank pin through the bearing and start the threads into the crankshaft by hand. These are **LEFT-HAND THREADS**.

Tighten the crank pin using the 7/8" deep

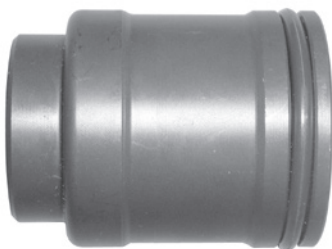


Fig. 14 - Small end of Hammer is toward the anvil.

well socket. Torque to 228 inch/pounds. Add Rhino approved grease (p/n 300500) to the crankcase to the level shown in **Fig. 11**. (**See Caution: Do not overfill grease on page 11**) If grease has been completely removed add approximately 4 teaspoons of grease or until level with the bottom of the crankpin head. Close the crankcase by placing the crankcase cover o-ring seal onto the crankcase cover. Place the crankcase cover onto the post driver body, start the thread, and twist to the right (clockwise) with your hand until it is secure against the post driver body. (**See Caution: Hand Tighten Only on page 11**)

Lubricate the cylinder and hammer with Rhino approved grease. Insert the hammer

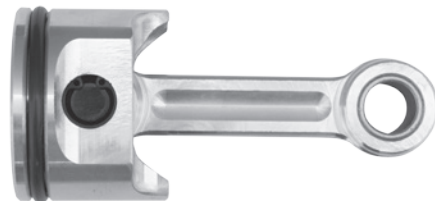


Fig. 15 - Piston with Connecting Rod and O-ring Seal in place.

GPD-40 Fence Pro™ Service Instructions... continued

into the cylinder, taking note of the small end toward the anvil as shown in **Fig. 12**. Push the hammer into the cylinder making room to insert the anvil o-ring retainer. Apply grease to the anvil o-ring retainer and place the small end into the cylinder. The grease should hold it in place.

Lubricate and assemble the large retainer and the two (2) large retainer o-ring seals in the order shown in **Fig. 16** and assemble into the anvil o-ring cup.

Clean and inspect the chuck tube (p/n

301150) and lower driver body (p/n 301030) for any damage or excessive wear. Replace if necessary. Lubricate the chuck tube with grease. Lubricate the anvil with grease. Insert the anvil with new anvil o-ring into chuck tube, making certain that the anvil is seated into the chuck tube. Insert the anvil o-ring cup into the chuck tube. Replace the chuck tube o-ring (p/n 301618) and insert the chuck tube o-ring onto the chuck tube. It should look like **Fig. 17**.

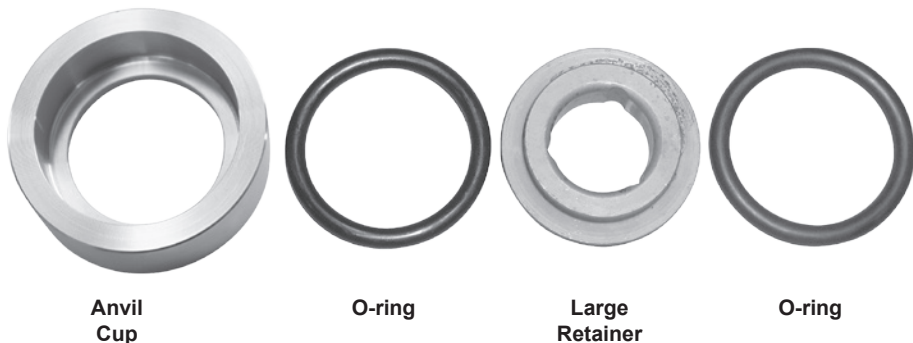


Fig. 16 - Insert O-ring into Anvil O-ring cup, then insert Large Retainer, then insert other O-ring.

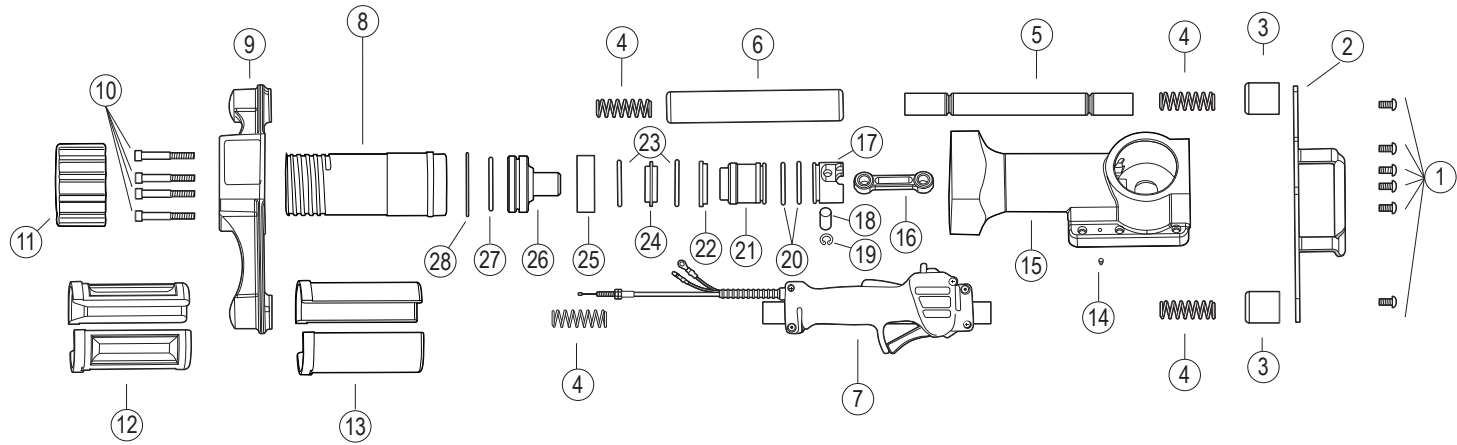
Remove the handle tubes (p/n 300220) from the handle cups and remove and clean and lubricate all four (4) anti-vibration springs (p/n 300720). Check all handle cups for wear. Clean and lubricate the upper and lower cups the handle tubes fit into with a small amount of grease. Insert the anti-vibration springs into the handle tubes. Assemble the handle tubes into the upper handle cups. Insert the chuck tube into the post driver body, taking care to insert the handle tubes into the handle



Fig. 17 - Elements reassembled into chuck tube.

cups on the lower driver body. When parts are inserted in the proper position, there will be resistance from the anti-vibration springs to seat the lower driver body on to the post driver body. This is normal. Apply primer and threadlocker to the bolts. Insert and hand thread the four (4) Lower body bolts through the lower driver body into the post driver body. Use a 1/4" hex wrench to tighten the bolts in a star pattern until the lower driver body is seated on the post driver body. Check for any misalignment or binding when joining the parts. Do not use excessive force. Torque the lower body bolts to 132 **inch/pounds**. Perform a visual check of the post driver. Reconnect the spark plug wire to the spark plug. Check that the engine has the proper amount of oil. Start the engine using the proper procedure and test the post driver.

Rhino® GPD-40 Fence Pro™ Parts List



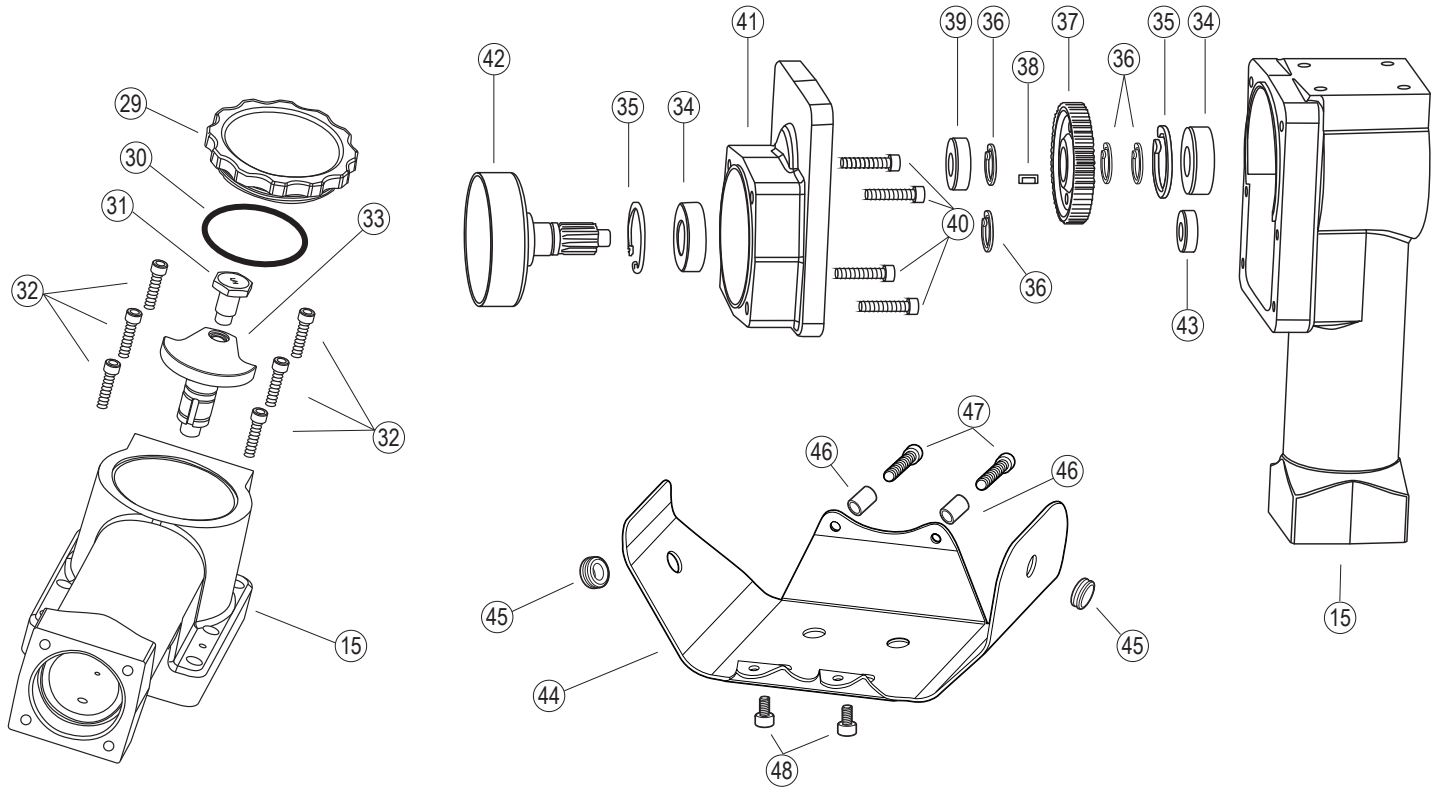
Rhino® GPD-40 Fence Pro™ Parts List

No.	Part No.	Name	No.	Part No.	Name
1	300710	Top Handle Bolts (6 Qty.)	15	301015	Post Driver Body with Cylinder and Bearings
2	300210	Upper Handle	16	300072**	Connecting Rod with Bearings
3	300230	Handle Cup (2 Qty.)	17	301060**	Piston
4	300720	Handle Anti-Vibration Spring (4 Qty.)	18	300170**	Wrist Pin
5	300220	Handle Tube	19	300781**	Piston Retaining Ring
6	300221	EPDM Handle Grip	20	301610	Piston O-ring Seal and Hammer O-ring Seal
7*	300226	Handle Tube with Throttle Assembly	21	301080	Hammer
8	301150	GPD-40 Chuck Tube	22	301110	Anvil O-ring Retainer
9	301030	Lower Driver Body	23	301614	Large Retainer O-ring Seal (2 Qty.)
10	300702	Lower Body Bolts (4 Qty.)	24	301100	Large Retainer
11	301920	Rhino® Chuck-Lok™ System Locking Nut	25	301090	Anvil O-ring Cup
12	300900	Rhino® Chuck-Lok™ System 1" Adapter	26	301160	Anvil
13	300902	Rhino® Chuck-Lok™ System 2" Adapter	27	301616	Anvil O-ring
14	300712	Ground Bolt	28	301618	Chuck Tube O-ring Seal

* Throttle Control only 300250

** Piston and Connecting Rod Assembly 301075

Rhino® GPD-40 Fence Pro™ Parts List



Number	Part No.	Name
14	301015	Post Driver Body with Cylinder and Bearings
29	300132	Crankcase Cover
30	300617	Crankcase Cover O-ring Seal
31	300050	Crank Pin
32	300704	Crankcase Bolts (6 per driver)
33	300040	Crankshaft
34	300420	Large Bearing for Crankshaft & Clutch Drum with Pinion Gear (2 per driver)
35	300780	Large Retaining Ring for Bearings (2 per driver)
36	300782	Retaining Ring for Crankshaft & Clutch Drum with Pinion Gear (4 per driver)
37	300200	Gear
38	300730	Key
39	300410	Crankshaft Bearing
40	300700	Clutch Housing Bolts (4 per driver)
41	300025	Clutch Housing with Bearings
42	300120	Clutch Drum with Pinion Gear
43	300400	Pinion Gear Bearing
44	300180	Shroud
45	300181	Grommet (2 per driver)
46	300190	Shroud Spacer (2 per driver)
47	300706	Shroud Bolt (2 per driver)
48	300707	Lower Shroud Bolt (2 per driver)

Parts Not Shown

Part No.	Name
300240	Honda GX35 Engine
301800	GPD-40 Fence Pro™ Owner's Manual
300805	Safety Label and Tag Set
300500	Rhino® Formula Grease
301505	Service Kit for GPD-40 Fence Pro™
Honda Engine Parts	Honda Engine Parts are Available from Your Local Honda Dealer

Bolt Torque Specifications

No.	Part No.	Description	Torque (in/lbs)
1	300710	Top Handle Bolts (6 per driver)	132.0
10	300702	Lower Body Bolts (4 Qty.)	132.0
30	300050	Crank Pin (Left Hand Threads)	228.0
38	300700	Clutch Housing Bolts (4 per driver)	95.0
47	300706	Shroud Bolt (2 per driver)	56.4
48	300706	Lower Shroud Bolt (2 per driver)	56.4

Rhino® Limited Lifetime Warranty Gasoline Powered Post Drivers



10) Page 16, Rhino Limited Warranty Gasoline Powered Post Drivers:

Warranty: Rhino Tool Company, Inc. ("Rhino") warrants to the original purchaser,

purchasing the Equipment in new condition, in original packaging from an authorized dealer that its Gasoline Powered Post Driver will be free from defects in workmanship and materials (the "Limited Warranty"). The Limited Warranty shall survive for the lifetime of the product with respect to the Hammer and Anvil components and for twelve (12) months with regard to all other components, excluding the Honda GX35 engine for which Rhino provides no warranty and for which the warranty provided by American Honda Motor Co., Inc. shall be the sole warranty applicable thereto. This Limited Warranty is non-transferable.

For Warranty Claims contact your dealer or distributor. Proof of purchase date and serial number is required. In the event of a warranty repair, the post driver should be returned to a Registered and Warranty Authorized Rhino Servicing Dealer. Rhino's obligation under this Limited Warranty is expressly limited to the repair or replacement, at Rhino's election, of such defective Gasoline Powered Post Driver, which is proved to be defective upon inspection by a Rhino-certified/authorized technician.

This Limited Warranty does not extend to a Gasoline Powered Post Driver which has been subject to misuse, neglect, or accident, nor does it extend to any Gasoline Powered Post Driver which has been repaired, altered, or serviced by unauthorized persons. This Limited Warranty does not cover any damage or adjustments required to any Gasoline Powered Post Driver if such damage or adjustment is caused by the use of supplies, parts, or attachments not sold or approved by Rhino.

EXCEPT AS OTHERWISE PROVIDED HEREIN, RHINO DISCLAIMS ALL OTHER WARRANTIES, EXPRESS OR IMPLIED, INCLUDING, BUT NOT LIMITED TO THE IMPLIED WARRANTIES OF MERCHANTABILITY AND FITNESS FOR A PARTICULAR PURPOSE. UNDER NO CIRCUMSTANCES SHALL RHINO BE LIABLE FOR ANY LOSS OF BUSINESS, REVENUES, OR PROFIT OR OTHER INDIRECT, INCIDENTAL, SPECIAL OR CONSEQUENTIAL DAMAGES OR LOSS ARISING OUT OF ANY DEFECTS IN OR PERFORMANCE OF THE GASOLINE POWERED POST DRIVER, HOWSOEVER CAUSED.

To register your product:

Fill out and mail in registration card supplied with post driver

Or online visit:

<http://rhinotool.com/contact-support/warranty-information/>

GPD-40 Fence Pro™ Trouble Shooting

Post lodged in driver with adapter installed: Turn off the engine. Remove the Chuck-Lok System's locking nut from the masterchuck and slide down the post. Using the handles, lift postdriver upward, allowing the post adapter to slide out. If the pressure from the flared post does not allow you to lift driver off the post, locate the pry gaps on the adapter base and use a flathead screwdriver to pry them downward. Be careful not to damage the masterchuck threads. Once loosened, lift using the postdriver handles. As the two-piece adapter frees from the chuck tube they separate from the post. Slide the locking nut off the post, reinsert the adapter, apply the locking nut and resume post driving.

Post lodged in masterchuck: Remove the four 5/16" lower body bolts and separate the lower body casting from the driver body. Slide the lower body casting down the post to expose the flared top of the post. With the proper cutting tool for the type of post, cut through the post below the flared portion. Once the flared portion is removed, slide the lower body casting off the post and reassemble it to the driver. Please follow bolt tightening procedure and use thread locker solution.

Recommendation: Do not use "thin-wall" or light gauge round post with the GPD-40 Ranch Pro™. It is very likely to flare this type of post at full throttle.

Drives post slow or sluggish engine performance: Typically this is resulting from improper driver storage or over-filling the oil causing the oil to seep into the combustion chamber. Turn off the engine. Position the driver vertically, remove the dipstick to check oil level. (See page 6) If you need to remove some oil, dispose of it properly. If oil is at proper level, follow the procedure listed in "Pull-start is frozen or hard to pull." It also is good practice to wipe clean the engine after use.

Pull-start is frozen or hard to pull: This typically results from oil seeping into the combustion chamber from improper driver storage or overfilling the oil reservoir of the engine. Remove spark plug and pull hand grip a several times until it pulls freely. Replace the spark plug. Check the oil level in oil reservoir to ensure proper level (page 6). Follow starting procedure. It is not unusual, for blue smoke to be emitted from the engine, let the engine run until smoke clears.

Proper Storage: When storing your GPD-40, do not lay it horizontally on the driver side or resting on the engine. If the unit cannot be stored securely in the upright position, place the chuck on the flat surface, lean it toward the engine side until it is supported by the shroud and chuck. This will position the driver on an angle with the top handle at the topmost point.

Other problems or technical questions: Have your serial number handy and contact Rhino Tool Company. Phone: 309.853.5555 or Toll Free 866-707-1808, Fax:309.856.5905, Email: info@rhinotool.com

Manufacturing Quality Post Drivers and Post Pullers Since 1977



Driven To
Perfection!



© 2013, 2014 Rhino Tool Company, Inc.



Rhino Tool Company

620 Andrews Avenue

Kewanee, IL 61443

P: 309.853.5555 or Toll Free 866-707-1808

F: 309.856.5905

www.rhinotool.com E: info@rhinotool.com