

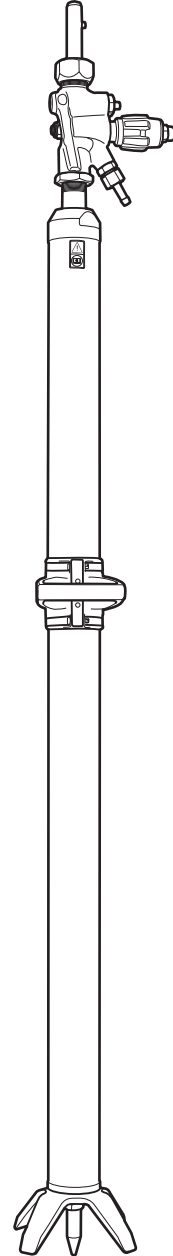
ALF

72D, 72D-1, 67/80D, BMK 62S

Safety and operating instructions

Pusher legs

- Ⓡ Consignes de sécurité et d'utilisation
Poussoir
- Ⓡ Sicherheits- und Betriebsvorschriften
Druckluftstütze
- Ⓡ Instrucciones de seguridad y funcionamiento
Empujador
- Ⓡ Instruções de segurança e utilização
Coluna extensível
- Ⓡ Sicurezza e istruzioni per l'uso
Servosotegno
- Ⓡ Säkerhets- och operatörsinstruktion
Knämatarben



Contents

English.....	4
Français.....	20
Deutsch.....	36
Español.....	52
Português.....	68
Italiano.....	84
Svenska.....	100

ENGLISH

Contents

SAFETY INSTRUCTIONS	5
Safety symbols used	5
Transportation hazard	5
Machine and tool operating hazards	5
Explosion and fire hazard	6
Electrical/Concealed object hazards	6
Projectile hazard	7
Noise hazard	7
Silica/Dust hazard	7
Vibration hazard	7
Machine modification hazard	8
Additional safety instructions	8
Protective equipment	9
Service and maintenance	9
Working tools	9
OPERATING INSTRUCTIONS	10
Design and function	10
Signs and decals on the machine	10
Working principle of a pusher leg	11
Function	11
Preparations before starting	11
Attachment device	12
BBD 94 Rock drill	12
RH 656 W rock drill	12
Attaching the pusher leg to the rock drill	13
Controls	13
Controls for ALF 72D, ALF 72D-1 and ALF 67/80D	13
Controls for BMK 62S	13
Drilling	14
Starting the rock drill	14
Stopping the rock drill	14
Re-positioning the pusher leg	14
When you have finished drilling	14
Maintenance	14
Differences between original parts and pattern parts	15
Once a shift (after 8 hours of operation)	15
Once a week (after 40 hours of operation)	15
Scrapping and waste disposal	15
Troubleshooting	16
Basic troubleshooting guide	16
Accessories	17
Technical Data	18

SAFETY INSTRUCTIONS

To reduce risk of serious injury or death to yourself or others, read these safety instructions before operating the machine.

Post these safety instructions at work locations, provide copies to employees, and make sure that everyone reads the safety instructions before operating or servicing the machine.

Follow all safety instructions given in this manual. All the safety instructions conform to the applicable laws and directives in the European Union.




You should also respect any additional national/regional directives.

In countries outside the European Union, the valid local statutes and regulations shall apply.

Any additional regional laws and regulations must be observed.

Safety symbols used

The indications **Danger**, **Warning** and **Caution** have the following meanings:

	Danger	Indicates an imminently hazardous situation which, if not avoided, will result in death or serious injury.
	Warning	Indicates a potentially hazardous situation which, if not avoided, could result in death or serious injury.
	Caution	Indicates a situation which, if not avoided, may result in personal injury or damage to the product or other property.

Transportation hazard

Caution

The rock drill and the pusher leg are heavy. To avoid personal injuries during transportation to the working area

- ▶ Use a carriage or ask for assistance from a colleague during transport.

Machine and tool operating hazards

Warning

Sudden or unexpected movement of the machine may occur during operating, which may cause injuries. Furthermore, losing your balance or slipping may cause injury. To reduce risks:

- ▶ Make sure that you always keep a stable position with your feet as far apart as your shoulder width, and keeping a balanced body weight.
- ▶ Stand firmly and always hold on to the machine with both hands.
- ▶ Do not start the machine when it is lying on the ground.
- ▶ Make sure that the handle is clean and free from grease and oil.

Warning

Unintentional start of the machine may cause injury.

- ▶ Keep your hands away from the start and stop device until you are about to start work.

Warning

The working tool is exposed to heavy strains when the machine is used and after a certain amount of use the tool may break due to fatigue. If the tool breaks, there may be sudden or strong movements. Such sudden or strong movements may cause serious injury.

- ▶ Make sure that you always keep a stable position with your feet as far apart as your shoulder width, and keeping a balanced body weight.
- ▶ Check regularly for wear to the working tool, and check whether there are any signs of damage or visible cracks.

Warning

An incorrect dimension of the working tool's shank can result in the working tool being lost or is slipping out during operation. A working tool that is lost or slips out can cause personal injury.

- ▶ Before inserting the working tool, make sure that the shank's dimensions are correct for use in the machine.
- ▶ Working tools without a collar may not be used.

Warning

If the tool retainer on the machine is not in the locked position, the tool can be ejected with great force, which can cause serious injury.

- ▶ Once the working tool has been mounted and locked, the locking function must be checked by pulling the working tool sharply outwards.
- ▶ Make sure that the working tool is fully inserted and that the tool retainer is in the locked position before the machine is started.
- ▶ Never point the working tool at yourself or anyone else.

⚠ Warning

Changing the working tool while the machine is running may cause serious injury.

- ▶ Before changing the tool always stop the machine.
- ▶ Never grab or touch a rotating drill steel.

⚠ Warning

A compressed air hose that comes loose can lash around and cause personal injury or death.

To reduce risks:

- ▶ Check that the compressed air hose and the connections are not damaged.
- ▶ Check that all compressed air connections are properly attached.
- ▶ Never attempt to disconnect a compressed air hose that is pressurized. First switch off the compressed air at the compressor and then bleed the machine by activating the start and stop device.

⚠ Warning

If the drill steel gets caught during operation, the whole machine will start to rotate if you lose your grip on it. This unexpected rotation of the entire machine may cause serious injury.

- ▶ Stand firmly and always hold onto the machine with both hands.
- ▶ Make sure that the handle is clean and free from grease and oil.
- ▶ Never drill in an old hole.

⚠ Warning

There is a risk of items getting dragged into or caught by a rotating drill steel. This may cause serious injury.

- ▶ Never grab or touch a rotating drill steel.
- ▶ Avoid wearing clothing that may get caught. If you have long hair, cover it with a hair net.

Explosion and fire hazard**⚠ Danger**

If the machine comes in contact with an explosive, an explosion may occur. Explosions may cause serious injury or death.

To reduce the risk of explosion:

- ▶ Never use the equipment to drill near any explosives, including dynamite or other explosives in the rock.
- ▶ Make sure that there are no explosives in the rock.
- ▶ Never drill in an old hole.

⚠ Warning

Drilling and working with certain materials can cause sparks, which may ignite explosive gases and cause explosions. Explosions may cause serious injury or death.

To reduce such risk of explosion:

- ▶ Never operate the machine in any explosive environment.
- ▶ Do not use the machine near flammable materials, fumes or dust.
- ▶ Make sure that there are no undetected sources of gas.

Electrical/Concealed object hazards**⚠ Danger**

The machine is not electrically insulated. If the machine comes into contact with electricity, serious injuries or death may result.

- ▶ To reduce the risk of such injury or death, never operate the machine near any electric wire or other source of electricity.
- ▶ Make sure that there are no concealed wires or other sources of electricity.

⚠ Warning

During drilling, concealed wires and pipes constitute a danger that can result in serious injury.

- ▶ Before you start drilling, check the composition of the material you are to work on.
- ▶ Watch out for concealed cables and pipes e.g. electricity, telephone, water, gas and sewage lines etc.
- ▶ If the tool seems to have hit a concealed object, switch off the machine immediately.
- ▶ Make sure that there is no danger before continuing.

Projectile hazard

⚠ Warning

During drilling, splinters or other particles from the worked material may become projectiles and cause personal injury by striking the operator or other persons.

- ▶ Use approved personal protective equipment, including impact resistant safety glasses with side protection, to reduce the risk of being injured by a projectile.

⚠ Caution

During blow-cleaning particles and dirty flushing water can emerge from the drill hole and cause personal injury.

- ▶ Move to the side and cover your eyes before starting to blow-clean the drill hole.
- ▶ Always wear impact resistant eye protection with side protection.
- ▶ Make sure that no co-workers are in range when blow-cleaning.

Noise hazard

⚠ Warning

High sound levels may cause permanent hearing loss.

- ▶ Use hearing protection in accordance with occupational health and safety regulations.

Silica/Dust hazard

⚠ Warning

Exposure to crystalline silica (sometimes called 'silica dust') as a result of drilling, or other activities involving rock, concrete, asphalt or other materials may cause silicosis (a serious lung disease), silicosis-related illnesses, cancer, or death. Silica is a major component of rock, sand and mineral ores.

To reduce silica exposure:

- ▶ Use proper engineering controls to reduce the amount of silica in the air and the build-up of dust on equipment and surfaces. Examples of such controls include: exhaust ventilation and dust collection systems, water sprays, and wet drilling. Make sure that controls are properly installed and maintained.
- ▶ Wear, maintain, and correctly use approved particulate respirators when engineering controls alone are not adequate to reduce exposure below permissible levels.

- ▶ Participate in air monitoring, medical exams, and training programs offered by your employer and when required by law.
- ▶ Wear washable or disposable protective clothes at the worksite; shower and change into clean clothes before leaving the worksite to reduce exposure of silica to yourself, other persons, cars, homes, and other areas.
- ▶ Do not eat, drink, or use tobacco products in areas where there is dust containing crystalline silica.
- ▶ Wash your hands and face before eating, drinking, or using tobacco products outside of the exposure area.
- ▶ Work with your employer to reduce silica exposure at your worksite.

⚠ Warning

Some dust, fumes or other airborne material created during use of the machine may contain chemicals known to the State of California to cause cancer and birth defects or other reproductive harm. Some examples of such chemicals are:

- ▶ Crystalline silica and cement and other masonry products.
- ▶ Arsenic and chromium from chemically-treated rubber.
- ▶ Lead from lead based paints.

To reduce your exposure to these chemicals, work in a well ventilated area, and work with approved safety equipment, such as dust masks that are specially designed to filter out microscopic particles.

Vibration hazard

⚠ Warning

Normal and proper use of the machine exposes the operator to vibration. Regular and frequent exposure to vibration may cause, contribute to, or aggravate injury or disorders to the operator's fingers, hands, wrists, arms, shoulders and/or other body parts, including debilitating and/or permanent injuries or disorders that may develop gradually over periods of weeks, months, or years. Such injury or disorder may include damage to the blood circulatory system, damage to the nervous system, damage to joints, and possibly damage to other body structures.

If numbness, tingling, pain, clumsiness, weakened grip, whitening of the skin, or other symptoms occur at any time, when operating the machine or when not operating the machine, do not resume operating the machine and seek medical attention. Continued use of the machine after the occurrence of any such symptom may increase the risk of symptoms becoming more severe and/or permanent.

The following may help to reduce exposure to vibration for the operator:

- ▶ Let the tool do the job. Use a minimum hand grip consistent with proper control and safe operation.
- ▶ When the percussion mechanism is activated, the only body contact with the machine you should have is your hands on the handle. Avoid any other contact, e.g. supporting any part of the body against the machine or leaning onto the machine trying to increase the feed force. It is also important not to keep the trigger engaged while extracting the tool from the work surface.
- ▶ Make sure that the working tool is well-maintained, not worn out, and of the proper size. Working tools that are not well-maintained, or that are worn out, or that are not of the proper size result in longer time to complete a task (and a longer period of exposure to vibration) and may result in or contribute to higher levels of vibration exposure.
- ▶ Immediately stop working if the machine suddenly starts to vibrate strongly. Before resuming the work, find and remove the cause of the increased vibrations.
- ▶ Comply with the recommended air-pressure when operating the machine. Either higher or lower air-pressure has the potential of resulting in higher levels of vibration.
- ▶ Do not grab, hold or touch the inserted working tool when using the machine.
- ▶ Participate in health surveillance or monitoring, medical exams, and training programs offered by your employer and when required by law.

See the "*Noise & Vibration Declaration Statement*" for the machine, found at the end of these Safety and Operating instructions.

Machine modification hazard

Warning

Any machine modification not approved by Atlas Copco may result in serious injuries to yourself or others.

- ▶ **The machine must not be modified without Atlas Copco's permission.**
- ▶ **Use only original parts and accessories approved by Atlas Copco.**

Additional safety instructions

- ▶ Machines and accessories must only be used for their intended purpose.
- ▶ Only qualified and trained persons may operate or maintain the machine.
- ▶ Learn how the machine is switched off in the event of an emergency.
- ▶ The maximum permissible air pressure for the machine must not be exceeded.
- ▶ Release the start and stop device immediately in all cases of power supply interruption.
- ▶ Always inspect the equipment prior to use. Do not use the equipment if you suspect that it is damaged.
- ▶ Always use your common sense and good judgment.
- ▶ Pay attention and look at what you are doing.
- ▶ Do not use the machine when you are tired or under the influence of drugs, alcohol or anything else that may affect your vision, reactions or judgment.
- ▶ Participate in safety and training courses.
- ▶ Never strike or abuse any equipment.
- ▶ Keep the machine and tools in a safe place, out of the reach of children and locked up.
- ▶ Make sure that all the attached and related equipment is properly maintained.
- ▶ Signs and stickers bearing important information regarding personal safety and care of the machine are supplied with every machine. Make sure that the signs are always legible. New signs and stickers can be ordered from the spare parts list.
- ▶ Make sure that no unauthorised personnel trespass into the working zone.
- ▶ Keep the workplace clean and free from foreign objects.
- ▶ Never point a compressed air hose at yourself or anyone else. To avoid the risk of getting injured, never use compressed air to blow e.g. dust, dirt etc. from your clothes.

Protective equipment

Always use approved protective equipment. Operators and all other persons in the working area must wear protective equipment, including at a minimum:

- ▶ Protective helmet
- ▶ Hearing protection
- ▶ Impact resistant eye protection with side protection
- ▶ Respiratory protection when appropriate
- ▶ Protective gloves
- ▶ Protective boots

Service and maintenance

Regular maintenance is a prerequisite for keeping the machine safe and effective. Carefully follow the operating instructions.

Before undertaking any maintenance or changing the working tool on pneumatic machines, always switch off the air supply and bleed the machine by depressing the start and stop device. Then disconnect the air hose from the machine.

- ▶ Use only authorised parts. Any damage or malfunction caused by the use of unauthorised parts is not covered by Warranty or Product Liability.
- ▶ Change damaged parts immediately.
- ▶ Replace damaged and worn components in good time.
- ▶ For major service to the machine, contact your nearest authorised workshop.
- ▶ When cleaning mechanical parts with solvent, make sure to comply with current health and safety regulations and that there is satisfactory ventilation.

Working tools

- ▶ Keep the tools clean and in good condition. Regularly check the working tools, make sure that they are sharp and not worn out.

Note! The machine can be destroyed if you use incorrect working tools.

OPERATING INSTRUCTIONS

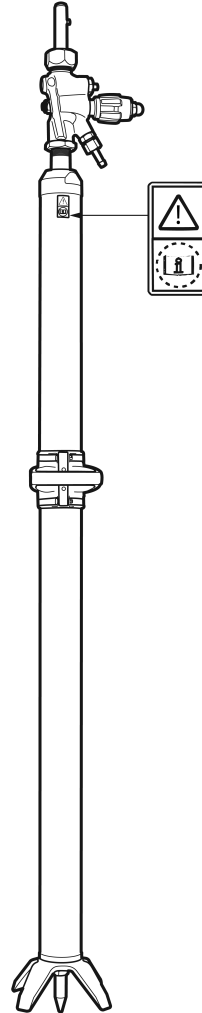
Design and function

Atlas Copco pusher legs of type ALF 72D, ALF 72D-1, BMK 62S and ALF 67/80D are used with light rock drills of type BBD and RH. ALF 72D, ALF 72D-1 and ALF 67/80D are used together with BBD 94W and are double-acting with an automatic return. BMK 62S is used together with RH 656W and needs to be retracted manually. ALF 72D, ALF 72D-1, BMK 62S and ALF 67/80D are equipped with a one-stage cylinder. ALF 67/80D is equipped with a two-stage cylinder. Cylinders are made of aluminium except for BMK 62S which is made of steel. The pusher legs are connected to the rock drill by a special attachment device. Recommended air pressure is 6 bar.

The pusher leg support is for helping the operator to lift and feed the rock drill during drilling operations.

Signs and decals on the machine

Signs and decals that are important for your safety and the care of the machine are included with each machine. New decals can be ordered using the spare parts list.



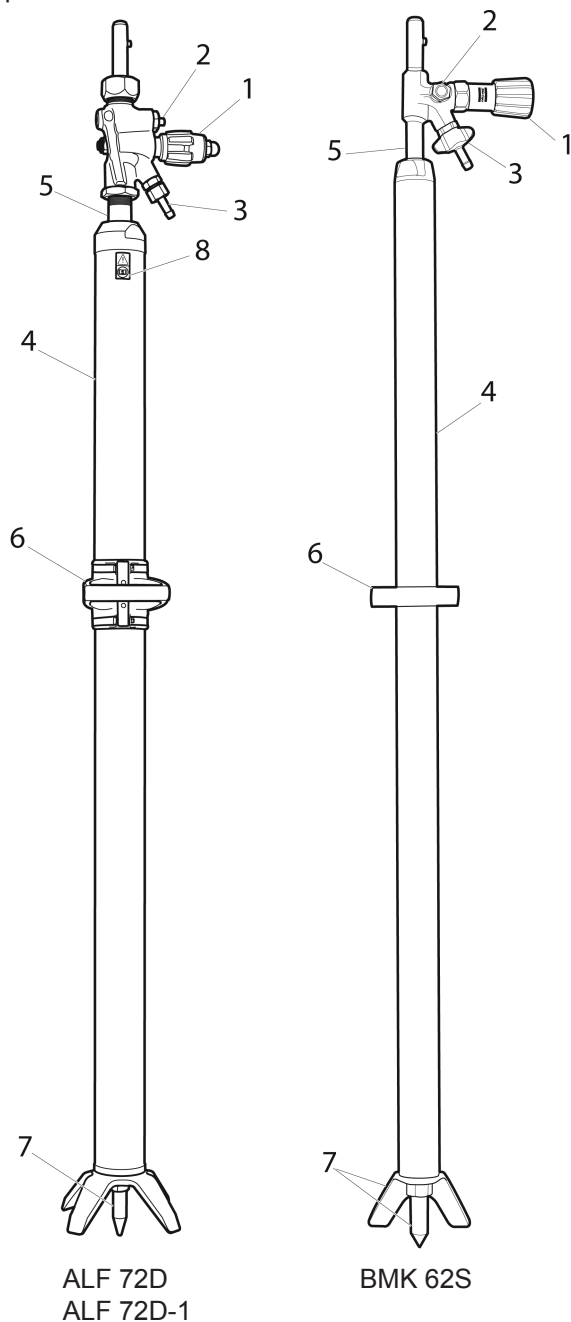
The sign shows important information:

The warning symbol together with the book symbol means that you must read the Safety and operating instructions before using the machine.

Working principle of a pusher leg

Function

The feeding movement of the pusher leg is powered by compressed air, which is directed to the lower side of the piston and pushes the piston out of the cylinder. For automatic return (not BMK 62S) of the piston rod into the cylinder, compressed air is directed to the upper side of the piston.



1. Feed control knob
2. Valve pin
3. Hose nipple (12,5 mm)
4. Feed cylinder
5. Piston rod
6. Handle
7. Spike with support
8. Warning label

Preparations before starting

1. Check the drilling equipment

- ▶ Check that all of the drilling equipment is in good working order.
- ▶ Make sure that the air inlet port is free from obstruction.
- ▶ Ensure that the fittings are tight and leak-proof.

⚠ Warning

Always check for damaged or loose hoses and fittings before operation. Whipping hoses can cause serious injury.

2. Blow through the air hose

- ▶ Every day, before to using the drill, blow through the air hose to clear it of accumulated dirt and moisture.

3. Fill the lubricator with oil

Note! Check that the chuck and drill-steel shank are always covered with a film of oil.

Note! Always use a recommended lubricant.

Lubricant	Recommendation	
Air tool oil	Use a mineral-based air tool oil	
	Ambient temperature °C	Viscosity grade (ISO 3448)
	-30 to 0	ISO VG 32-68
	-10 to +20	ISO VG 68-100
	+10 to +50	ISO VG 100-150

4. Calibrate the correct air and water pressure

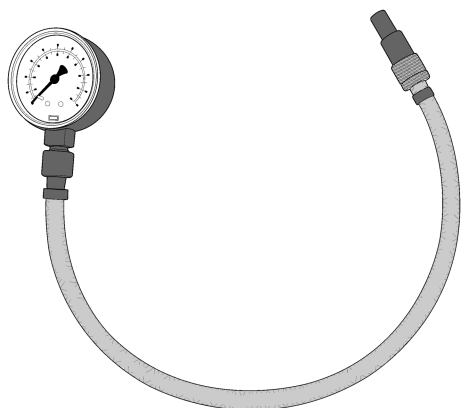
Use the **Atlas Copco no. 9090 0550 80** pressure gauge to check the water and air pressure when the rock drill is running.

Air pressure

Ensure that the compressor can deliver the required air volume at 4–6 bar at the tool.

- ▶ **High pressure** causes rough operation and damage.
- ▶ **Low pressure** results in a slow drilling speed.

Water pressure



The pressure gauge is equipped with a needle which is pressed into the hose to measure the pressure inside.

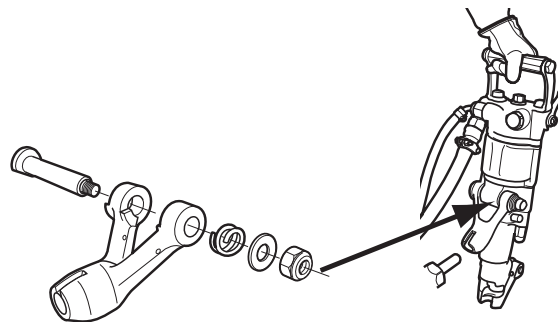
Note! Make sure that the water pressure is at least 1 bar lower than the air pressure otherwise the water can enter the impact mechanism. For example if the air pressure is 6 bar, the water pressure must be below 5 bar to prevent water entering the impact mechanism.

Attachment device

An attachment device is needed to couple the pusher leg to the rock drill.

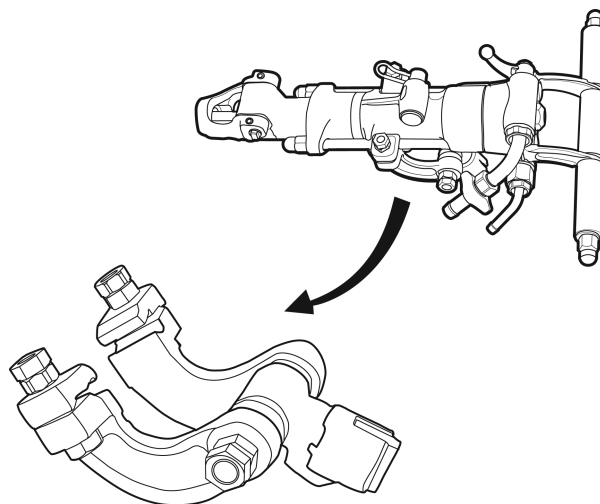
BBD 94 Rock drill

Attachment is fitted to the intermediate part of the rock drill.

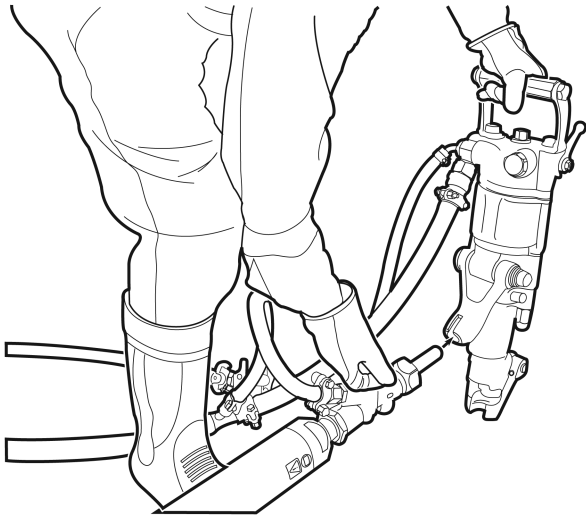


RH 656 W rock drill

Attachment is fitted to the rock drill by clamping it on the side bolts.



Attaching the pusher leg to the rock drill



The pusher leg must be fixed to the rock drill by means of the bayonet coupling.

Controls

Controls for ALF 72D, ALF 72D-1 and ALF 67/80D

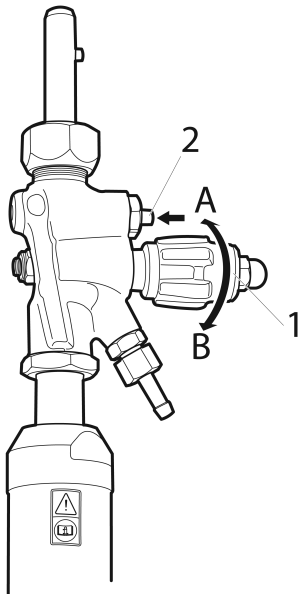
Pusher Leg Feed control knob (1)

Adjust the feed force by means of the feed control knob as follows:

Turn the knob counter-clockwise (B) to increase the feed force.

Turn the knob clockwise (A) to decrease the feed force.

When the feed control knob is in the closed position, the pusher leg is vented.



Valve pin (2)

When the valve pin is pushed in, the feed force ceases abruptly, thus overriding the setting on the feed control knob. The facility is used, e.g. to adjust the height of the rock drill, when rigging up the pusher leg, or when there is a tendency to jam.

When the valve pin is depressed, the piston rod in the pusher leg is retracted automatically.

Controls for BMK 62S

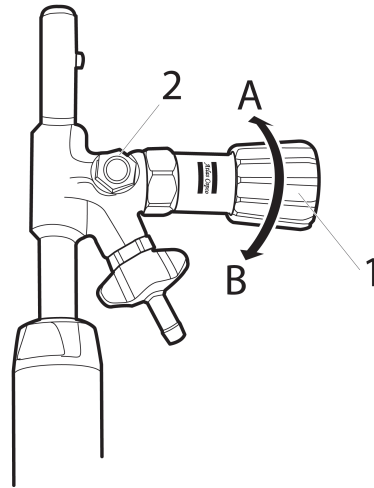
Pusher Leg Feed control knob (1)

Adjust the feed force by means of the feed control knob as follows:

Turn the knob counter-clockwise (B) to increase the feed force.

Turn the knob clockwise (A) to decrease the feed force.

When the feed control knob is in the closed position, the pusher leg is vented.

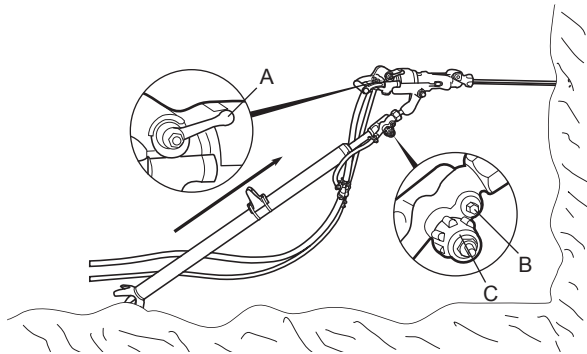


Valve pin (2)

When the valve pin is pushed in, the feed force ceases abruptly, thus overriding the setting on the feed control knob. The facility is used, e.g. to adjust the height of the rock drill, when rigging up the pusher leg, or when there is a tendency to jam.

Drilling

Starting the rock drill



1. Open the main valve for compressed air.
2. Adjust the feed control knob (C) to give a suitable feed force for collaring the hole.
3. Align the rock drill so that the drill steel touches the desired collaring point.
4. Move the throttle lever (A) forward a little, this will start water flushing, percussion and rotation.
5. Collar the hole with reduced feed force.
6. Move the throttle lever (A) fully forward once the drill steel has gained a secure footing in the rock.
7. Adjust the feed force by means of the control knob (C) so that the maximum penetration rate is obtained.

Stopping the rock drill

1. Pull the throttle lever (A) backwards, this will stop percussion, rotation and flushing water.
2. Turn the feed control knob (C) to the closed position.

Re-positioning the pusher leg

1. Switch off the rock drill percussion and flushing with the throttle lever (A).
2. Depress the valve pin (B), whereupon the piston rod is pulled back into the pusher leg cylinder automatically (manually for BMK 62S).
3. Re-position the pusher leg.
4. Release the valve pin (B), whereupon the piston rod moves outward again.
5. Move the throttle lever (A) forward into the working position.
6. Note that the feed control knob (C) does not need to be touched during this procedure.

When you have finished drilling

Lay down the rock drill on a stone, wooden plank or similar object, so as to prevent drill cuttings and other foreign matter from entering the chuck.

Turn off the water pressure before the air pressure. Run the rock drill for a few seconds to clean out water and moisture after the water has been shut off.

Maintenance

Regular maintenance is a prerequisite for machine safety. Replace damaged and worn components in good time. For a major service to the machine, contact your nearest authorized workshop.

Check the machine and tools for wear and damage at regular intervals. Do not use very worn or damaged tools.

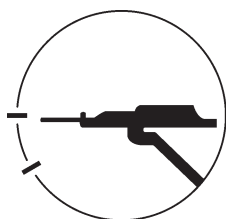
When cleaning mechanical parts with a solvent, make sure that you comply with current health and safety regulations and ensure that there is sufficient ventilation.

Daily maintenance, regular checking of wearing parts and carrying out repairs in good time prevents breakdowns and increases the service life of the machine.

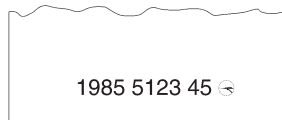
- ▶ Always oil the rock drill and pusher leg well, before you put them into storage.
- ▶ Store in a clean and dry place.
- ▶ Make sure that no foreign matter enters the machine.
- ▶ Always hose down and wipe clean the rock drill and pusher leg after use.

Differences between original parts and pattern parts

When buying a part, the first thing to do is to verify that the part is an Atlas Copco part. Most parts can be identified.



PNA



Rock drill parts are normally marked with a part number and the Atlas Copco identity mark which is a circle with a rock drill inside it. In a few cases the part is marked either with the circle only or the part number only.

Rubber and plastic parts are not normally marked.

Competitors that copy our parts often mark major, expensive parts. Some parts have only the part number, but some of them also have an identity mark in the form of the initials of the manufacturer's name. Part numbers on the pattern parts are mostly stamped by hand which results in irregularities. The part numbers stamped by Atlas Copco are regular and the individual figures are the same size. In addition the depth of the figures and the spacing between the figures in each group are the same.

Once a shift (after 8 hours of operation)

1. Check the rock drill's connection to the pusher leg.
2. Check the hoses, couplings and controls for leakage and damage.
3. Check that the rock drill and pusher leg are receiving enough lubrication. Fill the lubricator as necessary.
4. Drain the water separator.

Once a week (after 40 hours of operation)

- ▶ Carry out a basic check of all functions of the drilling equipment.

Scrapping and waste disposal

Used and worn-out machines must be disposed of in such a way that as much of the material as possible can be recycled and the impact on the environment is kept to a minimum.

Troubleshooting

Basic troubleshooting guide

Problem	Cause	Solution
Insufficient feed force	Low air pressure	Increase air pressure to 6 bar.
	Valve 3121 0726 80 has stuck or packings 0663 2124 00 are worn (only ALF models).	Dismantle the valve and clean it if necessary. Replace packings if worn or deformed.
	Piston rod packing worn or deformed.	Replace the packing

¹ For wear limits and tightening torques, see the light rock drills service information, Atlas Copco document no. 9853 1086 01.

² Gauge for chuck bushing 22mm (7/8") hexagon shank Atlas Copco no. 3091 0038 00.

³ Use Atlas Copco no. 9090 0550 80 pressure gauge to test the water and air pressure.

Accessories

Accessory	Ordering no.
Lubricator for BBC, BBD, RH:	
BLG 30, for mineral oil	8202 5102 05
CLG 30, for both mineral and synthetic oil	8202 5102 39
Water separator for BBC, BBD, RH	
VAM 5A, for airflow up to 120 l/s (254 cfm)	8092 0110 82
Air line accessories for 25 mm (1")	
Rubber hose, 30 m	9030 2041 00
Claw coupling	9000 0313 00
Two-piece hose clamp	9000 0197 00
Pressure gauge for compressed air and water pressure	
Gauge	9090 0550 80
Extra needle set	9090 0678 90
Compressed air hose 25 mm (1") for rock drill and feed, fitted with couplings for:	
BBD 94W together with ALF 72D, ALF 72D-1 and ALF 67/80D	9030 2068 00
Compressed air hose 20 mm (3/4") for rock drill and feed, fitted with couplings for:	
RH 656W together with BMK 62S	9030 2067 00
Vibration gloves	
Size L	9800 0434 01
Size XL	9800 0435 01

Technical Data

Type	Ordering No.	Suitable for Rock drill	Feeding Length (mm)	Length Retracted (mm)	Length Extracted (mm)	Weight (kg)	Piston Bore (mm)
<i>Single telescope</i>							
ALF 72D	8321 0201 80	BBD 94W	1300	1970	3270	19	70
ALF 72D-1	8321 0201 81	BBD 94W	1200	1830	3030	16	70
BMK 62S	8321 0102 02	RH 656W	1300	1815	3115	17	53
<i>Double telescope</i>							
ALF 67/80D	8321 0201 69	BBD 94W	1855	1595	3450	19	67/80

FRANÇAIS

Sommaire

PRESCRIPTIONS DE SÉCURITÉ	21
Symboles de sécurité utilisés	21
Danger lié au transport	21
Dangers liés à l'utilisation d'outils et de machines	21
Danger d'incendies et d'explosions	22
Dangers liés aux objets cachés et électriques	23
Danger lié aux projections	23
Danger lié au bruit	23
Danger lié aux poussières et cristaux de silice	23
Danger lié aux vibrations	24
Danger lié aux modifications sur la machine	24
Prescriptions de sécurité supplémentaires	25
Équipement de protection individuelle	25
Entretien et maintenance	25
Outils de travail	25
INSTRUCTIONS POUR L'OPÉRATEUR	26
Conception et fonctionnement	26
Signalisation et autocollants apposés sur l'appareil	26
Principe de fonctionnement du poussoir	27
Fonction	27
Opérations à effectuer avant de démarrer	27
Système de fixation	28
Marteau perforateur BBD 94	28
Marteau perforateur RH 656 W	28
Montage du poussoir sur le marteau perforateur	29
Commandes	29
Commandes des modèles ALF 72D, ALF 72D-1 et ALF 67/80D	29
Commandes du BMK 62S	29
Forage	30
Démarrage du marteau perforateur	30
Arrêt du marteau perforateur	30
Re-positionnement du poussoir	30
Une fois le forage terminé	30
Maintenance	30
Différences entre les pièces d'origine et les pièces copiées	31
A chaque changement d'équipe (après 8 heures d'utilisation)	31
Une fois par semaine (après 40 heures d'utilisation)	31
Mise à la ferraille et élimination des déchets	31
Dépannage	32
Guide de dépannage de base	32
Accessoires	33
Caractéristiques techniques	34

PRESCRIPTIONS DE SÉCURITÉ

Il convient de lire attentivement les présentes prescriptions de sécurité avant toute utilisation de la machine, afin de minimiser le risque de blessures graves ou de dommages pouvant entraîner la mort.

Affichez les consignes de sécurité sur les lieux de travail ; faites des copies pour les salariés et assurez-vous que chaque personne concernée a bien lu les prescriptions de sécurité avant toute utilisation ou maintenance sur la machine.

Prière de respecter les instructions de sécurité contenues dans le présent manuel.

Toutes les instructions de sécurité sont conformes aux règlements et directives applicables dans l'Union Européenne.




Veillez toujours observer les directives additionnelles nationales/régionales, le cas échéant.

Dans les pays en dehors de l'Union Européenne, les statuts et réglementations en vigueur au niveau local seront appliqués.

Toute loi ou réglementation additionnelle devra être observée.

Symboles de sécurité utilisés

Les indications **Danger**, **Attention** et **Prudence** ont les significations suivantes :

 Danger	Indique une situation dangereuse imminente qui, si elle n'est pas évitée, provoquera la mort ou des blessures graves.
 Attention	Indique une situation dangereuse qui, si elle n'est pas évitée, pourrait provoquer la mort ou des blessures graves.
 Prudence	Indique une situation qui, si elle n'est pas évitée, risque de provoquer des blessures corporelles ou des dommages au produit ou à d'autres biens.

Danger lié au transport

Prudence

La foreuse à roche et le verrin d'appui sont lourds. Pour éviter des blessures corporelles pendant le transport sur la zone de travail,

- ▶ utilisez un chariot de transport ou demandez l'aide d'un collègue.

Dangers liés à l'utilisation d'outils et de machines

Attention

Durant son utilisation, la machine risque d'effectuer un mouvement brusque ou imprévu, pouvant provoquer des blessures. En outre, les pertes d'équilibre ou les glissades peuvent provoquer des blessures. Pour réduire les risques :

- ▶ Assurez-vous de toujours adopter une position stable, les pieds dans le prolongement de vos épaules et votre poids bien réparti sur les deux jambes.
- ▶ Restez bien droit et tenez toujours la machine à deux mains.
- ▶ Ne mettez pas la machine en marche lorsqu'elle est posée sur le sol.
- ▶ Assurez-vous que la poignée est toujours bien propre, sans graisse ni huile.

Attention

Le démarrage accidentel de la machine peut provoquer des blessures.

- ▶ Gardez les mains bien éloignées du dispositif de marche/arrêt jusqu'au moment de commencer à travailler.

Attention

L'outil de travail est soumis à de fortes contraintes lorsque la machine est utilisée et peut casser après une certaine durée d'utilisation à cause de la fatigue. Une rupture éventuelle de l'outil risque d'induire des mouvements brusques ou violents. De tels mouvements peuvent être la source de blessures graves.

- ▶ Assurez-vous de toujours adopter une position stable, les pieds dans le prolongement de vos épaules et votre poids bien réparti sur les deux jambes.
- ▶ Examinez régulièrement l'usure de l'outil de travail et contrôlez la présence éventuelle de signes de détérioration ou de fissures visibles.

Attention

Une dimension incorrecte de la tige de l'outil de travail peut entraîner la perte ou le glissement de ce dernier pendant le fonctionnement. Un outil de travail perdu ou qui glisse peut provoquer des dommages corporels.

- ▶ Avant d'insérer l'outil de travail, assurez-vous que les dimensions de la tige sont correctes pour son utilisation dans la machine.
- ▶ Evitez d'utiliser des outils de travail sans collier.

⚠ Attention

Si l'outil n'est pas verrouillé sur la machine, il risque d'être éjecté avec force et de provoquer des blessures graves.

- ▶ Une fois que l'outil de travail a été installé et verrouillé, la fonction de verrouillage doit être vérifiée en tirant énergiquement l'outil de travail vers l'extérieur.
- ▶ Assurez-vous que l'outil est entièrement inséré et que le porte-outil est en position verrouillée avant de démarrer la machine.
- ▶ Ne jamais pointer l'outil de travail vers soi-même ni vers autrui.

⚠ Attention

Le fait de changer l'outil de travail alors que la machine est en fonctionnement peut provoquer des blessures graves.

- ▶ Avant tout changement d'outil, commencez par arrêter la machine.
- ▶ Evitez à tout prix d'attraper ou de toucher un fleuret en rotation.

⚠ Attention

Un flexible d'air comprimé qui se détache risque de fouetter l'air dans tous les sens et de provoquer des dommages corporels ou la mort.

Pour réduire les risques :

- ▶ Vérifiez que le flexible d'air comprimé et les raccords ne sont pas endommagés.
- ▶ Vérifiez que les raccords d'air comprimé sont correctement fixés.
- ▶ Ne jamais essayer de débrancher un flexible d'air comprimé sous pression. Commencez par couper l'alimentation en air comprimé au niveau du compresseur, puis purgez la machine en activant le dispositif de marche/arrêt.

⚠ Attention

Si le fleuret se bloque durant le fonctionnement, la machine se mettra à tourner sur elle-même si vous ne la tenez pas bien. Cette rotation inattendue de la machine entière peut provoquer des blessures graves.

- ▶ Restez bien droit et maintenez toujours la machine avec les deux mains.
- ▶ Assurez-vous que la poignée est toujours bien propre sans graisse ni huile.
- ▶ Ne jamais forer dans un ancien trou.

⚠ Attention

Des objets risquent d'être entraînés ou attrapés par le fleuret en rotation. D'où éventuellement des blessures graves.

- ▶ Evitez à tout prix d'attraper ou de toucher un fleuret en rotation.
- ▶ Ainsi que de porter des vêtements susceptibles de se prendre dans la pièce en rotation. Si vous avez les cheveux longs, couvrez-les d'un filet à cheveux.

Danger d'incendies et d'explosions

⚠ Danger

En cas de contact de la machine avec un explosif, une explosion risque de se produire. Les explosions peuvent provoquer des blessures graves ou la mort.

Pour réduire le risque d'explosion :

- ▶ N'utilisez jamais l'équipement pour forer à proximité d'explosifs : dynamite ou autres explosifs pour la roche inclus.
- ▶ Assurez-vous qu'aucun explosif n'est présent dans la roche.
- ▶ Ne jamais forer dans un ancien trou.

⚠ Attention

Le fait de forer et de travailler avec certains matériaux peut provoquer des étincelles, susceptibles à leur tour d'enflammer des gaz inflammables et de provoquer des explosions. Les explosions peuvent provoquer des blessures graves ou la mort.

Pour réduire de tels risques d'explosion :

- ▶ Ne jamais utiliser la machine dans un environnement explosif quelconque.
- ▶ N'utilisez pas cette machine près de poussières, d'émanations ou de matériaux inflammables.
- ▶ Assurez-vous qu'il n'y a aucune source de gaz non identifiée.

Dangers liés aux objets cachés et électriques

⚠ Danger

La machine n'est pas isolée électriquement. Tout contact de la machine avec de l'électricité risque de provoquer des blessures graves ou la mort.

- ▶ Pour réduire de tels risques de blessures ou de mort, n'utilisez jamais la machine à proximité d'un câble électrique ou d'autres sources d'électricité.
- ▶ Assurez-vous de l'absence de câbles cachés ou d'autres sources d'électricité.

⚠ Attention

En cours de forage, les tuyaux et câbles cachés constituent une source potentielle de blessures graves.

- ▶ Avant de commencer à forer, vérifiez la composition du matériau sur lequel vous allez travailler.
- ▶ Faites attention aux câbles et aux tuyaux dissimulés, comme ceux de l'électricité, du téléphone, de l'eau, du gaz et les canalisations d'égout, etc.
- ▶ Si vous pensez avoir touché un objet occulté avec l'outil, arrêtez immédiatement la machine.
- ▶ Assurez-vous de toute absence de danger avant de continuer.

Danger lié aux projections

⚠ Attention

En cours de forage, des éclats ou d'autres particules du matériau travaillé peuvent se transformer en projectiles et provoquer des blessures en frappant l'opérateur ou d'autres personnes.

- ▶ Utilisez des équipements de protection personnelle, lunettes de sécurité résistant aux chocs équipées de protections latérales intégrées, pour réduire le risque de blessures liées aux projectiles.

⚠ Prudence

Durant le rinçage, des particules et les eaux de rinçage peuvent être projetées hors du trou de forage et provoquer des blessures corporelles.

- ▶ Écartez-vous sur le côté et couvrez vos yeux avant de commencer à nettoyer par soufflage le trou percé.
- ▶ Portez toujours des lunettes pour les yeux résistantes aux chocs et équipées de protections latérales.
- ▶ Assurez-vous qu'aucun de vos collègues de travail n'est à proximité lors du rinçage.

Danger lié au bruit

⚠ Attention

Les niveaux acoustiques très élevés peuvent provoquer une perte auditive permanente.

- ▶ Utilisez un dispositif de protection anti-bruit respectant les normes de sécurité et de santé au travail.

Danger lié aux poussières et cristaux de silice

⚠ Attention

L'exposition à la silice cristalline (parfois appelée « poussière de silice ») résultant du forage ou d'une autre activité impliquant la roche, le béton, l'asphalte ou d'autres matériaux peut provoquer la silicose (une maladie grave des poumons), des maladies liées à la silicose, le cancer ou la mort. La silice est l'un des principaux composants de la roche, du sable et des minéraux.

Pour réduire l'exposition à la silice :

- ▶ Appliquez des mesures d'ingénierie adaptées pour réduire la quantité de silice dans l'air et l'accumulation de poussières sur les équipements et les surfaces. Exemples de mesures applicables : systèmes de ventilation aspirante et de captage des poussières, pulvérisation d'eau et forage humide. Assurez-vous que ces systèmes sont correctement installés et entretenus.
- ▶ Portez, conservez et utilisez correctement les respirateurs contre les matières en suspension quand les mesures d'ingénierie, seules, ne sont pas adéquates pour réduire l'exposition à des niveaux tolérables.
- ▶ Participez à la surveillance de l'air, aux examens médicaux et aux programmes de formation offerts par votre employeur ou imposés par la loi.
- ▶ Portez des vêtements de protection lavables ou jetables sur votre lieu de travail, douchez-vous et mettez des vêtements propres avant de quitter votre lieu de travail afin d'éviter de vous exposer à la silice, ainsi que d'exposer autrui, votre voiture, votre domicile et d'autres zones.
- ▶ Ne mangez pas, ne buvez pas et ne fumez pas dans les zones exposées aux poussières contenant de la silice cristalline.
- ▶ Lavez-vous les mains et le visage avant de manger, boire ou fumer hors de la zone exposée.
- ▶ Aidez votre employeur à réduire l'exposition à la silice sur votre lieu de travail.

Attention

Certaines poussières, émanations ou autres matières en suspension dans l'air pendant l'utilisation de la machine peuvent contenir des produits chimiques, reconnus par l'état de Californie comme pouvant provoquer des cancers, des anomalies congénitales ou d'autres dommages pour la reproduction. Voici quelques-uns de ces produits chimiques :

- ▶ Silice cristalline, ciment et autres produits de maçonnerie.
- ▶ Arsenic et chrome provenant de caoutchouc traité chimiquement.
- ▶ Plomb provenant de peintures à base de plomb.

Pour réduire votre exposition à ces produits, travaillez dans une zone bien ventilée et avec des équipements de sécurité homologués, tels que les masques de protection contre la poussière spécialement conçus pour filtrer les particules microscopiques.

Danger lié aux vibrations

Attention

L'utilisation normale et adéquate de la machine expose l'opérateur à des vibrations. L'exposition régulière et fréquente aux vibrations peut causer, contribuer à, ou aggraver les blessures ou les troubles au niveau des doigts, des mains, des poignets, des bras, des épaules et/ou d'autres parties du corps de l'opérateur, y compris les blessures ou les troubles débilissants et/ou permanents qui peuvent se développer graduellement sur des semaines, des mois, ou des années. De telles blessures ou troubles peuvent inclure des dommages au niveau du système de circulation sanguine, du système nerveux, des articulations et éventuellement au niveau d'autres parties du corps.

En cas d'apparition, à un moment quelconque, d'engourdissement, de fourmillement, de douleur, de maladresse, d'affaiblissement du poignet, de blanchissement de la peau ou d'autres symptômes, lors de l'utilisation ou non de la machine, cessez toute utilisation de celle-ci et consultez un médecin. Le fait de continuer à utiliser la machine après l'apparition de tels symptômes risque de les aggraver et/ou de les rendre permanents.

Les mesures suivantes peuvent contribuer à réduire l'exposition de l'opérateur aux vibrations :

- ▶ Laissez l'outil faire le travail. Utilisez une poignée de main réduite permettant un contrôle approprié et une utilisation en toute sécurité.

- ▶ Lorsque le mécanisme de percussion est activé, le seul point de contact entre votre corps et la machine se situe au niveau de vos mains sur les poignées. Évitez tout autre contact, notamment d'appuyer une partie quelconque du corps contre la machine ou de vous pencher sur cette dernière pour essayer d'en augmenter la capacité d'avance. Il est également important de ne pas maintenir la manette actionnée lorsque l'outil est retiré de la surface de travail.
- ▶ Assurez-vous que l'outil inséré est correctement entretenu, pas usé et de la taille appropriée. Les outils de travail mal entretenus, usés ou de dimension inadaptée allongent la durée d'exécution d'une tâche (et celle de l'exposition aux vibrations) et peuvent induire ou contribuer à des niveaux plus élevés d'exposition aux vibrations.
- ▶ Arrêtez immédiatement de travailler si la machine commence soudainement à vibrer fortement. Avant de recommencer à travailler, identifiez la cause de l'augmentation des vibrations et remédiez-y.
- ▶ Respectez la pression d'air recommandée lorsque vous utilisez la machine. Une pression d'air plus élevée ou plus faible peut entraîner des niveaux de vibrations plus élevés.
- ▶ Évitez de saisir, de tenir ou de toucher l'outil de travail lors de l'utilisation de la machine.
- ▶ Participez à la surveillance médicale, aux examens médicaux et aux programmes de formation offerts par votre employeur ou imposés par la loi.

Reportez-vous au document intitulé « Énoncé déclaratif sur les vibrations et le bruit » correspondant à la machine, et qui se trouve found à la fin de ces Prescriptions de sécurité et instructions pour l'opérateur.

Danger lié aux modifications sur la machine

Attention

Toute modification sur la machine non approuvée par Atlas Copco peut provoquer des blessures graves, à vous ou aux autres.

- ▶ **La machine ne doit pas être modifiée sans la permission d'Atlas Copco.**
- ▶ **Utilisez uniquement des pièces détachées et des accessoires d'origine approuvés par Atlas Copco.**

Prescriptions de sécurité supplémentaires

- ▶ Ne pas utiliser les machines et les accessoires à d'autres fins que celles pour lesquelles ils sont prévus.
- ▶ Seules des personnes qualifiées ou formées peuvent utiliser ou procéder à l'entretien de la machine.
- ▶ Apprenez à éteindre la machine en cas d'urgence.
- ▶ Ne dépassez pas la pression d'air maximale autorisée pour la machine.
- ▶ Relâchez immédiatement le dispositif de marche/arrêt en cas de coupure de courant quelconque.
- ▶ Vérifiez toujours l'équipement avant de l'utiliser. Evitez d'utiliser l'équipement s'il vous semble endommagé.
- ▶ Utilisez toujours votre jugement et votre bon sens.
- ▶ Soyez vigilant et concentrez-vous sur ce que vous faites.
- ▶ N'utilisez pas la machine lorsque vous êtes fatigué ou sous l'influence de médicaments, de l'alcool ou de toute autre substance qui risque d'affecter votre vue, vos réactions ou votre jugement.
- ▶ Participez aux cours de formation et de sécurité.
- ▶ Ne maltraitez jamais l'équipement.
- ▶ Conservez la machine et les outils bien verrouillés, dans un endroit sûr, hors de la portée des enfants.
- ▶ Assurez-vous que tous les équipements auxiliaires ou connexes sont correctement entretenus.
- ▶ Des signes et des étiquettes portant des informations importantes relatives à la sécurité des personnes et à l'entretien de la machine sont fournis avec celle-ci. Assurez-vous que ces signes restent toujours lisibles. De nouveaux signes et étiquettes peuvent être commandés en utilisant la liste des pièces détachées.
- ▶ Assurez-vous qu'aucune personne non autorisée ne pénètre dans la zone de travail.
- ▶ Maintenez le lieu de travail propre et exempt de corps étrangers.
- ▶ Ne jamais pointer un flexible d'air comprimé vers soi-même ou vers autrui. Afin d'éviter tout risque de blessure, ne jamais utiliser d'air comprimé pour nettoyer la poussière, les salissures, etc., sur vos vêtements.

Équipement de protection individuelle

Utilisez toujours un équipement de protection individuelle homologué. Les opérateurs et toute autre personne présente dans la zone de travail doivent porter un équipement de protection individuelle incluant au minimum :

- ▶ Casque de protection
- ▶ Protections auditives
- ▶ Protecteurs des yeux résistants aux chocs avec protection latérale
- ▶ Appareil de protection respiratoire, le cas échéant
- ▶ Gants de protection
- ▶ Chaussures de sécurité

Entretien et maintenance

La maintenance régulière est un prérequis pour garantir la sécurité et l'efficacité de la machine. Suivez attentivement les instructions pour l'opérateur. Avant d'entreprendre toute maintenance ou changement de l'outil de travail d'une machine pneumatique, coupez toujours l'arrivée d'air et purgez la machine en appuyant sur le dispositif de marche/arrêt. Débranchez ensuite le flexible d'air de la machine.

- ▶ N'utilisez que des pièces de rechange autorisées. Tout dommage ou mauvais fonctionnement dû à l'utilisation de pièces non autorisées n'est pas couvert par la garantie ou la responsabilité du fait des produits.
- ▶ Changez immédiatement les pièces abîmées.
- ▶ Ne tardez pas à remplacer les composants abîmés et usés.
- ▶ Pour un entretien plus complet de la machine, contactez l'atelier homologué le plus proche.
- ▶ Lors du nettoyage des pièces mécaniques avec un solvant, assurez-vous que vous respectez bien les normes de sécurité et de santé et que la ventilation est suffisante.

Outils de travail

- ▶ Maintenez les outils propres et en bon état. Contrôlez régulièrement les outils de travail, assurez-vous qu'ils sont affûtés et ne présentent pas d'usure.

Remarque ! L'utilisation d'outils de travail inadaptés peut provoquer la destruction de la machine.

INSTRUCTIONS POUR L'OPÉRATEUR

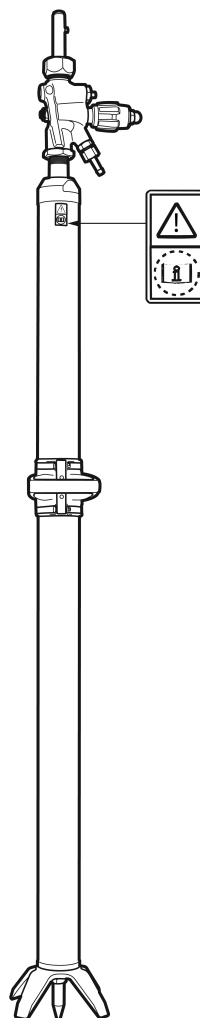
Conception et fonctionnement

Les poussoirs Atlas Copco de type ALF 72D, ALF 72D-1, BMK 62S et ALF 67/80D sont utilisés avec les marteaux perforateurs légers de type BBD et RH. Les modèles ALF 72D, ALF 72D-1 et ALF 67/80D sont utilisés avec le BBD 94W et sont des modèles à double action avec retour automatique. Le modèle BMK 62S s'utilise avec le marteau RH 656W et doit être rétracté manuellement. Les modèles ALF 72D, ALF 72D-1, BMK 62S et ALF 67/80D sont équipés d'un cylindre à un étage. Le modèle ALF 67/80D est équipé d'un cylindre à deux étages. Les cylindres sont en aluminium sauf sur le modèle BMK 62S, où il est en acier. Les poussoirs sont connectés au marteau-perforateur par système spécial. La pression d'air recommandée est de 6 bar.

Le support poussoir est là pour aider l'opérateur à soulever et avancer le marteau perforateur pendant le forage.

Signalisation et autocollants apposés sur l'appareil

Les appareils sont livrés avec la signalisation et les autocollants importants pour votre sécurité et pour leur bon fonctionnement. Vous pouvez commander des autocollants supplémentaires à l'aide de la liste des pièces de rechange.



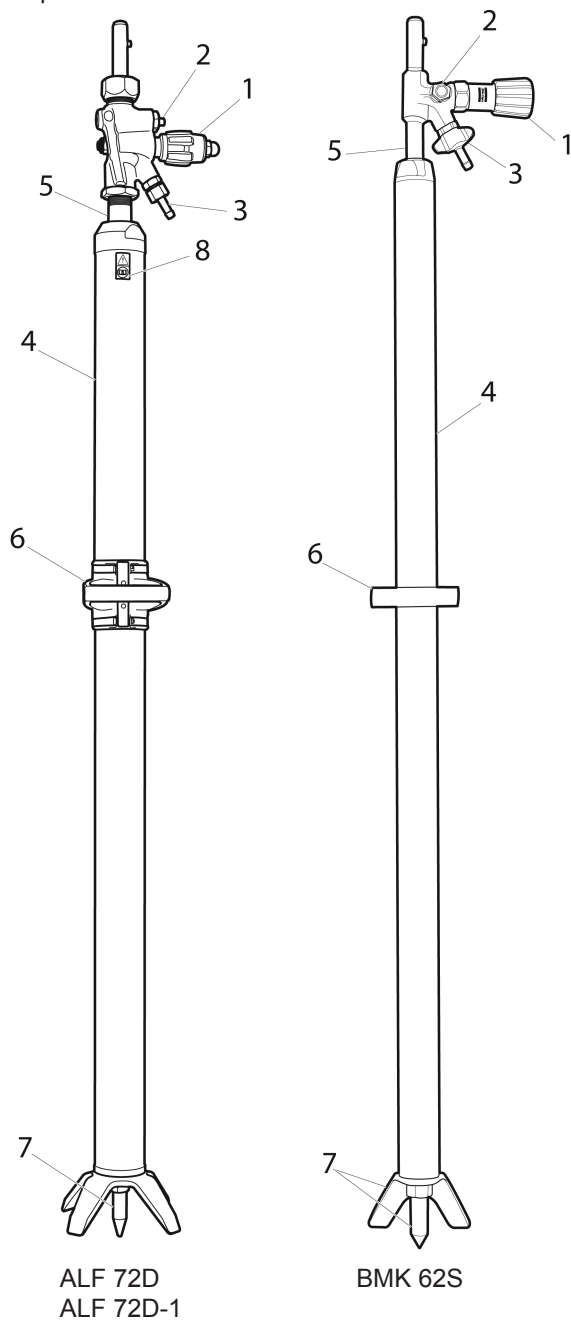
La signalisation donne des informations importantes :

Un symbole d'avertissement associé à un symbole représentant un livre indique que vous devez lire les « Prescriptions de sécurité et instructions pour l'opérateur » avant d'utiliser la machine.

Principe de fonctionnement du poussoir

Fonction

Le mouvement d'avance du poussoir est alimenté par une source d'air comprimé, qui est dirigé vers le côté inférieur du piston et qui pousse celui-ci vers l'extérieur du cylindre. Pour le retour automatique (sauf sur le modèle BMK 62S) de la tige du piston dans le cylindre, l'air comprimé est dirigé vers le haut du piston.



1. Bouton de commande
2. Goupille de la soupape
3. Raccord de flexible (12,5 mm)
4. Cylindre d'avance
5. Tige du piston
6. Poignée
7. Crampon avec support
8. Étiquette d'avertissement

Opérations à effectuer avant de démarrer

1. Vérifiez l'équipement de forage

- ▶ Vérifiez que l'intégralité de l'équipement de forage est en bon état de marche.
- ▶ Assurez-vous que l'arrivée d'air n'est pas obstruée.
- ▶ Assurez-vous que tous les raccords sont bien serrés et étanches.

⚠ Attention

Vérifiez toujours l'état des flexibles et des raccords avant toute utilisation. Des flexibles qui claquent soudainement peuvent provoquer des blessures graves.

2. Purgez le flexible pneumatique

- ▶ Chaque jour, avant d'utiliser le marteau perforateur, purgez le flexible pneumatique afin d'éliminer l'humidité et les saletés accumulées.

3. Remplissez le lubrificateur d'huile

Remarque ! Vérifiez que le porte-douille et l'emmanchement du fleuret sont toujours recouverts d'un film d'huile.

Remarque ! Utilisez toujours le lubrifiant recommandé.

Lubrifiant	Recommandation	
Huile pour outil pneumatique	Utilisez une huile minérale pour outil pneumatique	
	Température ambiante °C	
	Degré de viscosité (ISO 3448)	
	-30 à 0	ISO VG 32-68
	-10 à +20	ISO VG 68-100
	+10 à +50	ISO VG 100-150

4. Calibrer la pression correcte d'air et d'eau

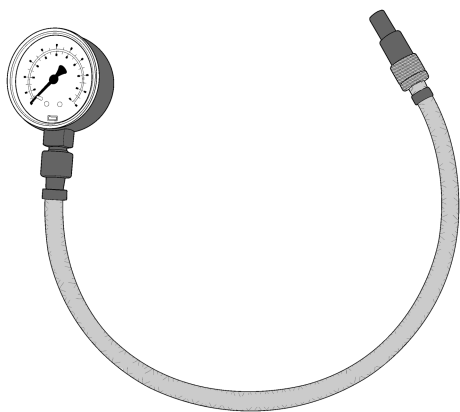
Utilisez la jauge de pression **Atlas Copco no. 9090 0550 80** pour vérifier la pression d'eau et d'air pendant le fonctionnement du marteau perforateur.

Pression d'air

Assurez-vous que le compresseur fournit à l'outil une pression d'air de 4 à bar.

- **Une pression trop élevée** peut entraîner un dysfonctionnement et endommager l'appareil.
- **Une pression trop basse** se traduit par une perte de vitesse lors du forage.

Pression d'eau



La jauge de pression est équipée d'une aiguille qu'il convient d'introduire dans le flexible pour mesurer la pression interne.

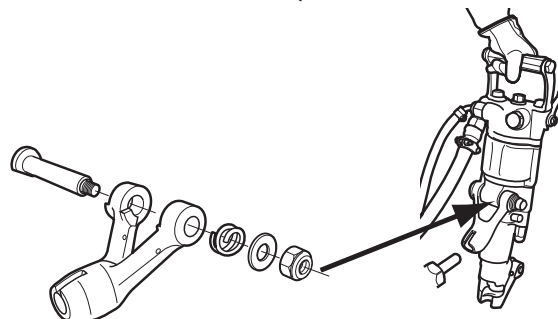
Remarque! Vérifiez que la pression d'eau est inférieure d'au moins 1 bar à la pression d'air, de façon à éviter que l'eau ne pénètre dans le mécanisme d'impact. Par exemple, si la pression d'air est de 6 bars, la pression de l'eau doit être inférieure à 5 bars pour éviter que l'eau ne pénètre dans le mécanisme d'impact.

Système de fixation

Le système de fixation permet de monter le poussoir sur le marteau perforateur.

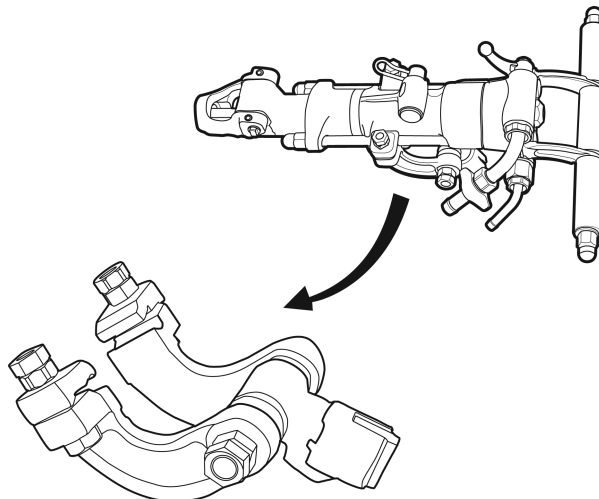
Marteau perforateur BBD 94

Ce système de fixation est fixé à une partie intermédiaire du marteau-perforateur

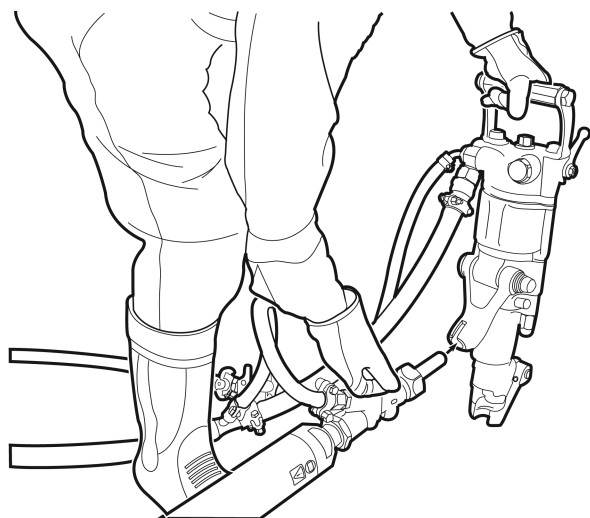


Marteau perforateur RH 656 W

Le système de fixation est fixé au marteau-perforateur par serrage sur les deux écrous de tirant.



Montage du poussoir sur le marteau perforateur



Le poussoir doit être fixé sur le marteau perforateur à l'aide du raccord à baïonnette.

Commandes

Commandes des modèles ALF 72D, ALF 72D-1 et ALF 67/80D

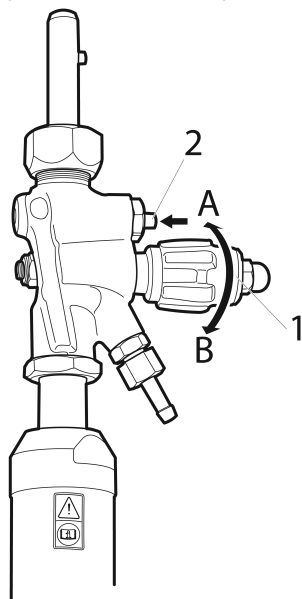
Bouton de commande d'avance du poussoir (1)

Réglez la force d'avance à l'aide du bouton de commande d'avance de la manière suivante :

Tourner le bouton dans le sens inverse des aiguilles d'une montre (B) pour augmenter la force d'avance.

Tourner le bouton dans le sens des aiguilles d'une montre (A) pour réduire la force d'avance.

Quand le bouton de commande d'avance est en position fermée, le poussoir est ventilé.



Goupille de la soupape (2)

Quand la goupille de la soupape est enfoncée, la force d'avance cesse brusquement, annulant les réglages du bouton de commande d'avance. Ce mécanisme est utilisé, par exemple, pour régler la taille de la perforatrice lors du montage du poussoir ou lorsque l'ensemble a tendance à bloquer.

Lorsqu'on appuie sur la goupille de la soupape, la tige du piston dans le poussoir se rétracte automatiquement.

Commandes du BMK 62S

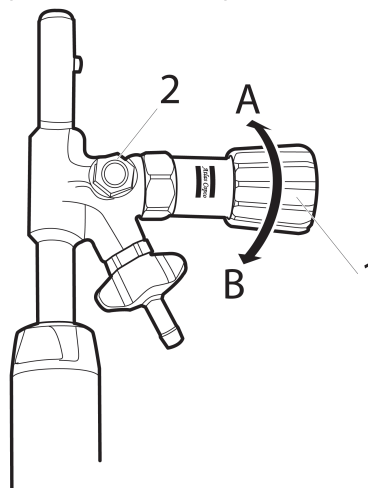
Bouton de commande d'avance du poussoir (1)

Réglez la force d'avance à l'aide du bouton de commande d'avance de la manière suivante :

Tourner le bouton dans le sens inverse des aiguilles d'une montre (B) pour augmenter la force d'avance.

Tourner le bouton dans le sens des aiguilles d'une montre (A) pour réduire la force d'avance.

Quand le bouton de commande d'avance est en position fermée, le poussoir est ventilé.

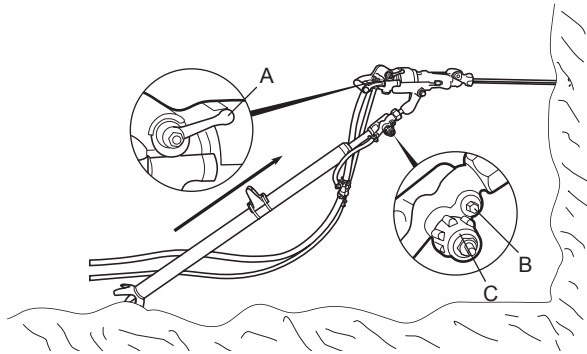


Goupille de la soupape (2)

Quand la goupille de la soupape est enfoncée, la force d'avance cesse brusquement, annulant les réglages du bouton de commande d'avance. Ce mécanisme est utilisé, par exemple, pour régler la taille de la perforatrice lors du montage du poussoir ou lorsque l'ensemble a tendance à bloquer.

Forage

Démarrage du marteau perforateur



1. Ouvrez le tiroir de distribution du compresseur.
2. Réglez le bouton de commande d'avance (C) pour appliquer une force d'avance suffisante pour amorcer le trou.
3. Alignez le marteau perforateur de façon à ce que le fleuret touche le point d'amorce souhaité.
4. Poussez légèrement le levier de commande (A) vers l'avant pour activer le dispositif d'injection d'eau, de percussion et de rotation.
5. Amorcez le trou avec une force d'avance réduite.
6. Poussez le levier de commande (A) à fond vers l'avant une fois que le fleuret a trouvé une base sûre dans la roche.
7. Réglez la force d'avance à l'aide du bouton de commande (C) de façon à obtenir un taux de pénétration maximum.

Arrêt du marteau perforateur

1. Tirez le levier de commande (A) vers l'arrière pour arrêter la percussion, la rotation et le dispositif d'injection d'eau.
2. Tournez le bouton de commande (C) de façon à le mettre sur la position fermée.

Re-positionnement du poussoir

1. Arrêtez la percussion du marteau-perforateur et le dispositif d'injection d'eau à l'aide du levier de commande (A)
2. Appuyez sur l'axe du clapet (B), ce qui a pour effet de rétracter automatiquement la tige du piston dans le cylindre du poussoir (système manuel sur le BMK 62S)
3. Re-positionnez le poussoir
4. Relâchez l'axe du clapet (B), ce qui a pour effet de libérer la tige du piston.
5. Placez le levier sélecteur (A) vers l'avant en position de travail.
6. Remarque : le bouton de commande d'avance (C) ne doit pas être manipulé pendant cette opération.

Une fois le forage terminé

Posez le marteau perforateur sur une pierre, une planche de bois ou un objet similaire, pour éviter d'abîmer l'outil et éviter que des corps étrangers ne pénètrent dans le porte-douille.

Coupez la pression d'eau avant de couper l'air comprimé. Faites fonctionner le marteau-perforateur pendant quelques secondes pour évacuer l'eau et l'humidité, une fois l'eau coupée.

Maintenance

Une maintenance régulière est une condition préalable à la sûreté de la machine. Ne tardez pas à remplacer les composants abîmés et fatigués. Pour toute intervention importante sur l'appareil, contactez l'atelier homologué le plus proche.

Vérifiez régulièrement que l'appareil et les outils ne présentent aucune marque d'usure ou signe de dégradation. N'utilisez pas d'outils usés ou abîmés.

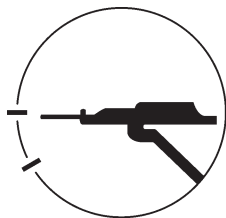
Lorsque vous nettoyez des pièces mécaniques à l'aide d'un solvant, assurez-vous que vous respectez bien les normes de sécurité et de santé en vigueur et que la pièce est correctement ventilée.

Une maintenance quotidienne, la vérification régulière des pièces d'usure et la réalisation des réparations à temps évitent les pannes et augmentent la durée de vie de la machine

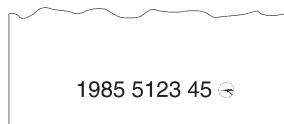
- ▶ Graissez systématiquement le marteau perforateur et le poussoir, avant de les stocker.
- ▶ Entrez-le dans un endroit propre et sec.
- ▶ Assurez-vous qu'aucun corps étranger ne pénètre dans l'appareil.
- ▶ Après utilisation, lavez systématiquement le marteau perforateur et le poussoir au jet, puis séchez-les correctement.

Différences entre les pièces d'origine et les pièces copiées

Lorsque vous achetez une pièce, la première chose à faire est de vérifier qu'il s'agit bien d'une pièce de la marque Atlas Copco. La plupart des pièces peuvent être identifiées.



PNA



Les pièces pour marteau perforateur sont normalement marquées d'un numéro de pièce et de la marque d'identification d'Atlas Copco : un marteau perforateur entouré d'un cercle. Plus rarement, la pièce est uniquement marquée du cercle ou du numéro de pièce.

Les pièces en plastique ou en caoutchouc ne sont normalement pas marquées.

Les concurrents qui copient nos pièces marquent souvent des pièces plus onéreuses. Certaines pièces indiquent uniquement un numéro de série, mais certaines présentent aussi une marque d'identification sous la forme des initiales du nom du fabricant. Les numéros de pièces sur les pièces génériques sont généralement marqués à la main, montrant des irrégularités. Les numéros de pièces marquées par Atlas Copco sont réguliers et les chiffres sont tous de la même taille. De plus, la profondeur de ces chiffres, tout comme l'espace qui les sépare, sont les mêmes.

A chaque changement d'équipe (après 8 heures d'utilisation)

1. Vérifiez le raccordement du marteau-perforateur au poussoir.
2. Vérifiez l'état des flexibles, des raccords et des commandes afin de vous assurer qu'ils ne présentent ni traces de fuite ou de détérioration.
3. Vérifiez que le marteau-perforateur et le poussoir sont correctement lubrifiés. Remplissez le lubrificateur si nécessaire.
4. Purgez l'extracteur d'eau.

Une fois par semaine (après 40 heures d'utilisation)

- Procédez à un contrôle de base de toutes les fonctions de l'équipement de forage.

Mise à la ferraille et élimination des déchets

Les machines usées et en fin de vie doivent être éliminées de manière à que la majorité des matériaux soient recyclés afin de limiter au maximum l'impact sur l'environnement.

Dépannage

Guide de dépannage de base

Problème	Cause	Solution
Puissance d'alimentation insuffisante	Pression d'air insuffisante	Augmentez la pression d'air à 6 bar.
	Le clapet 3121 0726 80 est collé ou les garnitures d'étanchéité 0663 2124 00 sont usées (sur les modèles ALF uniquement).	Démontez le clapet et nettoyez le si nécessaire. Remplacez les garnitures d'étanchéités si elles sont usées ou abîmées.
	Garniture de la tige de piston usée ou déformée	Remplacez la garniture d'étanchéité

¹ En ce qui concerne les limites d'usure et les couples de serrage, reportez-vous aux informations de maintenance des marteaux perforateurs légers, document Atlas Copco N° 9853 1086 01.

² Calibre pour emmanchement hexagonal de la douille de rotation de 22 mm (7/8") N° 3091 0038 00 d'Atlas Copco.

³ Utilisez la jauge de pression N° 9090 0550 80 d'Atlas Copco pour tester la pression d'air et la pression d'eau.

Accessoires

Accessoire	N° de commande
Lubrificateur pour BBC, BBD, RH:	
BLG 30, pour huile minérale	8202 5102 05
CLG 30, pour huile minérale et huile synthétique	8202 5102 39
Extracteur d'eau pour BBC, BBD, RH	
VAM 5A, pour l'écoulement d'air jusqu'à 120 l/s (254 cfm)	8092 0110 82
Accessoires de ligne pour 25 mm (1")	
Flexible caoutchouc, 30 m	9030 2041 00
Raccord à griffes	9000 0313 00
Colliers de serrage en deux parties	9000 0197 00
Jauge de pression pour les pressions d'air et d'eau	
Manomètre	9090 0550 80
Jeu d'aiguilles supplémentaire	9090 0678 90
Flexible d'air comprimé 25 mm (1") pour marteau perforateur et avance, équipé de raccords pour :	
BBD 94W avec ALF 72D, ALF 72D-1 et ALF 67/80D	9030 2068 00
Flexible d'air comprimé 20 mm (3/4") pour le marteau perforateur et l'avance, équipé de raccords pour :	
RH 656W avec BMK 62S	9030 2067 00
Gants anti-vibration	
Taille L	9800 0434 01
Taille XL	9800 0435 01

Caractéristiques techniques

Type	N° de commande	Convient pour marteau-perforateur	Portée longueur (mm)	Longueur Rétracté (mm)	Longueur déployé (mm)	Poids (kg)	Piston alésage (mm)
<i>Lunette unique</i>							
ALF 72D	8321 0201 80	BBD 94W	1300	1970	3270	19	70
ALF 72D-1	8321 0201 81	BBD 94W	1200	1830	3030	16	70
BMK 62S	8321 0102 02	RH 656W	1300	1815	3115	17	53
<i>Lunette double</i>							
ALF 67/80D	8321 0201 69	BBD 94W	1855	1595	3450	19	67/80

DEUTSCH

Inhalt

SICHERHEITSHINWEISEN	37
Verwendete Sicherheitssymbole	37
Gefahren durch Transport	37
Gefahren durch den Betrieb der Maschine und des Werkzeugs	37
Explosions- und Feuergefahr	38
Gefahren durch verborgenen elektrische Leitungen/Objekte	38
Gefahr durch fliegende Splitter	39
Gefahren durch Lärm	39
Gefahren durch Quarz/Steinstaub	39
Gefahren durch Vibration	40
Gefahren durch Änderungen an der Maschine	40
Ergänzende Sicherheitshinweise	41
Schutzausrüstung	41
Service und Wartung	41
Werkzeuge	41
BETRIEBSANLEITUNG	42
Konstruktion und Funktion	42
Schilder und Aufkleber an der Maschine	42
Arbeitsprinzip einer Druckluftstütze	43
Funktion	43
Vorbereitungen vor der Inbetriebnahme	43
Anschlussvorrichtung	44
Bohrhammer BBD 94	44
Bohrhammer RH 656 W	44
Anbringen der Druckluftstütze am Bohrhammer	45
Bedienelemente	45
Bedienelemente für ALF 72D, ALF 72D-1 und ALF 67/80D	45
Bedienelemente für BMK 62S	45
Bohren	46
Starten des Bohrhammers	46
Anhalten des Bohrhammers	46
Neupositionieren der Vorschubstütze	46
Nach Beendigung des Bohrens	46
Wartung	46
Unterschiede zwischen Originalersatzteilen und baugleichen Ersatzteilen	47
Einmal pro Schicht (alle 8 Betriebsstunden)	47
Einmal pro Woche (alle 40 Betriebsstunden)	47
Verschrottung und Entsorgung von Abfall	47
Fehlersuche	48
Grundlegende Hinweise zur Fehlersuche	48
Zubehör	49
Technische Daten	50

SICHERHEITSHINWEISEN

Lesen Sie vor dem Betrieb der Maschine diese Sicherheitshinweisen, um Unfallrisiken, die mit Lebensgefahr verbunden sein können, zu verhüten.

Schlagen sie diese Sicherheitshinweisen am Arbeitsplatz an. Verteilen Sie Kopien an die Mitarbeiter. Stellen Sie sicher, dass jeder Mitarbeiter die Sicherheitshinweisen vor dem Betrieb der Maschine oder vor Servicearbeiten liest.

Befolgen Sie alle Sicherheitsanweisungen dieser Betriebsanleitung.

Alle Sicherheitshinweisen folgen den geltenden Gesetzen und Vorschriften der Europäischen Gemeinschaft.




Berücksichtigen darüber hinaus noch alle zusätzlichen nationalen/regionalen Vorschriften.

Beim Einsatz der Maschine außerhalb der Europäischen Gemeinschaft gelten die nationalen Gesetze und Vorschriften des jeweiligen Anwenderlandes.

Alle weitergehenden regionalen Gesetze und Vorschriften sind zu beachten.

Verwendete Sicherheitssymbole

Die Begriffe **Gefahr**, **Warnung** und **Achtung** haben folgende Bedeutung:

 Gefahr	<p>Hinweis auf eine unmittelbare Gefahrensituation, die bei Nichtbeachtung zu schweren, lebensgefährlichen Unfällen führen wird.</p>
 Warnung	<p>Hinweis auf eine potentielle Gefahrensituation, die bei Nichtbeachtung zu schweren, lebensgefährlichen Unfällen führen könnte.</p>
 Achtung	<p>Hinweis auf eine Situation, die bei Nichtbeachtung zu Verletzungen oder zu Schäden am Produkt oder anderen Gegenständen führen kann.</p>

Gefahren durch Transport

Achtung

Der Bohrhämmer und die Vorschubstütze sind sehr schwer. Um Verletzungen während des Transports zum Arbeitsbereich zu vermeiden,

- ▶ verwenden Sie eine Transportkarre oder bitten Sie einen Kollegen um Hilfe.

Gefahren durch den Betrieb der Maschine und des Werkzeugs

Warnung

Während des Betriebs der Maschine können plötzliche oder unerwartete Bewegungen auftreten, die Verletzungen verursachen können. Außerdem kann es zu Verletzungen kommen, wenn Sie das Gleichgewicht verlieren oder ausrutschen. Zur Verhütung von Unfällen ist folgendes zu beachten:

- ▶ Stellen Sie sicher, dass Sie immer eine stabile Standposition einnehmen. Verteilen Sie dazu Ihr Körpergewicht auf beide Füße, die schulterbreit auseinander stehen.
- ▶ Stehen Sie sicher und halten Sie die Maschine mit beiden Händen fest.
- ▶ Starten Sie niemals die Maschine, wenn sie auf dem Boden liegt.
- ▶ Stellen Sie sicher, dass der Griff sauber und frei von Fett oder Öl ist.

Warnung

Unbeabsichtigtes Starten der Maschine kann zu Verletzungen führen.

- ▶ Halten Sie Ihre Hände vom Start- und Stoppschalter fern, solange Sie noch nicht mit der Arbeit beginnen.

Warnung

Das Werkzeug wird während des Betriebs der Maschine stark beansprucht und kann nach Ablauf der Lebensdauer aufgrund von Werkstoffermüdung brechen. Wenn dies geschieht, kann die Maschine plötzliche oder heftige Bewegungen ausführen, die zu ernsthaften Verletzungen führen können.

- ▶ Stellen Sie sicher, dass Sie immer eine stabile Standposition einnehmen. Verteilen Sie dazu Ihr Körpergewicht auf beide Füße, die schulterbreit auseinander stehen.
- ▶ Prüfen Sie das Werkzeug regelmäßig auf Abnutzung, Beschädigungen und Risse.

Warnung

Eine falsche Schaftgröße des Werkzeugs kann dazu führen, dass das Werkzeug verloren geht oder während des Betriebs herausrutscht. Ein herausrutschendes Werkzeug kann ernsthafte Verletzungen verursachen.

- ▶ Stellen Sie vor dem Einsetzen des Werkzeugs sicher, dass Sie die für die Maschine passenden Schaftgröße verwenden.
- ▶ Werkzeuge ohne Bund dürfen nicht verwendet werden.

⚠ Warnung

Wenn der Werkzeughalter nicht arretiert ist, kann das Werkzeug mit Gewalt ausgeworfen werden. Dies kann zu ernsthaften Verletzungen führen.

- ▶ Prüfen Sie nach dem Einsetzen und Arretieren des Werkzeugs die Verriegelungsfunktion, indem Sie kräftig und ruckartig daran ziehen.
- ▶ Stellen Sie sicher, dass das Werkzeug vollständig eingesetzt ist und der Werkzeughalter verriegelt ist, bevor Sie die Maschine einschalten.
- ▶ Richten Sie das Werkzeug nie auf eine andere Person oder den eigenen Körper!

⚠ Warnung

Das Wechseln des Werkzeugs bei laufender Maschine kann zu ernsthaften Verletzungen führen.

- ▶ Schalten Sie die Maschine vor dem Wechseln des Werkzeugs immer aus.
- ▶ Versuchen Sie niemals, einen rotierenden Bohrstahl zu berühren oder anzufassen.

⚠ Warnung

Ein Druckluftschlauch, der sich gelöst hat, kann ausschlagen und lebensgefährliche Verletzungen verursachen.

Zur Verhütung von Unfällen ist folgendes zu beachten:

- ▶ Stellen Sie sicher, dass Druckluftschlauch und Anschlüsse unbeschädigt sind.
- ▶ Stellen Sie sicher, dass sämtliche Druckluftanschlüsse korrekt befestigt sind.
- ▶ Ein unter Druck stehender Druckluftschlauch darf unter keinen Umständen abgebaut oder demontiert werden. Schalten Sie zuerst die Druckluft am Kompressor aus und lassen Sie die Maschine durch Betätigen des Start- und Stoppschalters auslaufen.

⚠ Warnung

Wenn sich der Bohrstahl während des Betriebs verklemmt und Sie die Maschine nicht fest genug halten, fängt die ganze Maschine an, sich zu drehen. Diese unerwartete Rotation der gesamten Maschine kann ernsthafte Verletzungen verursachen.

- ▶ Stehen Sie sicher und halten Sie die Maschine immer mit beiden Händen fest.
- ▶ Stellen Sie sicher, dass der Griff sauber und frei von Fett oder Öl ist.
- ▶ Bohren Sie niemals in einem alten Bohrloch.

⚠ Warnung

Es ist möglich, dass Gegenstände in den rotierenden Bohrstahl eingerollt oder eingezogen werden. Dies kann zu ernsthaften Verletzungen führen.

- ▶ Versuchen Sie niemals, einen rotierenden Bohrstahl zu greifen oder zu berühren.
- ▶ Tragen Sie keine Kleidung, die erfasst werden kann. Wenn Sie lange Haare haben, tragen Sie ein Haarnetz.

Explosions- und Feuergefahr**⚠ Gefahr**

Wenn die Maschine mit einem Explosivstoff in Kontakt kommt, kann es zu einer Explosion kommen. Explosionen können zu ernsthaften Verletzungen oder zum Tod führen.

Zur Vermeidung von Explosionen ist Folgendes zu beachten:

- ▶ Verwenden Sie die Ausrüstung niemals in der Nähe von Explosivstoffen, einschließlich Dynamit oder anderen Explosivstoffen im Gestein.
- ▶ Stellen Sie sicher, dass sich keine Explosivstoffe im Gestein befinden.
- ▶ Bohren Sie niemals in einem alten Bohrloch.

⚠ Warnung

Beim Bohren bestimmter Materialien können Funken entstehen, die explosive Gase entzünden und Explosionen verursachen können. Explosionen können zu ernsthaften Verletzungen oder zum Tod führen.

Um Explosionen zu vermeiden, ist folgendes zu beachten:

- ▶ Betreiben Sie die Maschine niemals in einer explosiven Umgebung.
- ▶ Verwenden Sie die Maschine nicht in der Nähe von entzündlichen Materialien, Dämpfen oder Staub.
- ▶ Stellen Sie sicher, dass keine verborgenen Gasquellen vorhanden sind.

Gefahren durch verborgenen elektrische Leitungen/ Objekte**⚠ Gefahr**

Die Maschine ist nicht elektrisch isoliert. Wenn die Maschine mit Elektrizität in Kontakt kommt, kann dies zu ernsthaften Verletzungen oder zum Tod führen.

- ▶ Um Unfallrisiken, die mit Lebensgefahr verbunden sind, zu verhüten, betreiben Sie die Maschine niemals in der Nähe von elektrischen Leitungen oder anderen elektrischen Quellen.
- ▶ Stellen Sie sicher, dass keine verborgenen elektrischen Quellen vorhanden sind.

⚠️ Warnung

Beim Bohren stellen verborgene Leitungen und Rohre eine Gefahr dar, die zu ernsthaften Verletzungen führen kann.

- ▶ Prüfen Sie vor dem Bohren die Zusammensetzung des zu bearbeitenden Materials.
- ▶ Achten Sie auf verborgene Kabel und Leitungen, z. B. Elektro-, Telefon-, Wasser-, Gas- und Abwasserleitungen.
- ▶ Wenn Sie meinen, dass das Werkzeug ein verborgenes Objekt getroffen hat, schalten Sie die Maschine sofort aus.
- ▶ Stellen Sie sicher, dass keine Gefahr besteht, bevor Sie fortfahren.

Gefahr durch fliegende Splitter

⚠️ Warnung

Beim Bohren können Splitter oder andere Partikel des bearbeiteten Materials zu Geschosse werden und ernsthafte Verletzungen verursachen, wenn Sie den Maschinenbenutzer oder andere Personen treffen.

- ▶ Verwenden Sie geeignete Schutzausrüstung, einschließlich bruchsicherer Schutzbrille mit seitlicher Abschirmung der Augen, um Verletzungen durch ein Geschoss zu verhüten.

⚠️ Achtung

Beim Ausblasen können Partikel und verschmutztes Spülwasser aus dem Bohrloch austreten und zu Verletzungen führen.

- ▶ Treten Sie zur Seite und schützen Sie Ihre Augen, wenn Sie ein Bohrloch ausblasen.
- ▶ Tragen Sie immer eine Schutzbrille mit seitlicher Abschirmung der Augen.
- ▶ Stellen Sie sicher, dass sich beim Ausblasen keine Mitarbeiter in der Nähe aufhalten.

Gefahren durch Lärm

⚠️ Warnung

Hohe Schallpegel können zu bleibendem Hörverlust führen.

- ▶ Tragen Sie einen Gehörschutz entsprechend der betrieblichen Gesundheits- und Sicherheitsbestimmungen.

Gefahren durch Quarz/Steinstaub

⚠️ Warnung

Beim Bohren oder anderen Arbeiten, die mit Gestein, Beton, Asphalt oder ähnlichen Materialien zu tun haben, kann Steinstaub (auch „Quarzmehl“ genannt) entstehen, der zu Silikose (auch „Staublung“ genannt, ernsthafte Lungenerkrankung) oder zu ähnlichen Krankheiten, zu Krebs oder zum Tod führen kann. Quarz ist ein Hauptbestandteil von Gesteinen, Sand und Mineralerzen.

Zur Verringerung der Gefährdung durch Steinstaub ist Folgendes zu beachten:

- ▶ Verwenden Sie geeignete technische Hilfsmittel zur Verringerung der Steinstaubkonzentration in der Luft und auf der Oberfläche der Ausrüstung. Zu solchen Hilfsmitteln gehören z. B.: Absaugungen und Staubsammelsysteme, Sprühwasseranlagen und Nassbohren. Stellen Sie sicher, dass die Hilfsmittel korrekt installiert und gewartet sind.
- ▶ Tragen Sie stets geeignete und korrekt angewendete Atemschutzmasken, falls die genannten technischen Hilfsmittel allein nicht ausreichen, um die Staubbelastung unter den zulässigen Wert zu senken.
- ▶ Nehmen Sie an Schulungen zur Luftreinhaltung und medizinischen Untersuchungen teil, wenn diese von Ihrem Arbeitgeber angeboten werden oder gesetzlich vorgeschrieben sind.
- ▶ Tragen Sie am Arbeitsplatz abwaschbare oder Einwegschutzkleidung; Duschen Sie oder wechseln Sie die Kleidung vor dem Verlassen des Arbeitsplatzes, um die Steinstaubbelastung für sich und andere in Autos, Wohnbereichen und sonstigen Bereichen so gering wie möglich zu halten so gering wie möglich zu halten.
- ▶ Essen, trinken oder rauchen Sie nicht in Bereichen, in denen eine Quarzstaubbelastung vorhanden ist.
- ▶ Waschen Sie Ihre Hände und Ihr Gesicht außerhalb des Belastungsbereichs, bevor Sie essen, trinken oder rauchen.
- ▶ Arbeiten Sie mit Ihrem Arbeitgeber zusammen, um die Quarzstaubbelastung an Ihrem Arbeitsplatz so gering wie möglich zu halten.

⚠️ Warnung

Einige Staubsorten, Rauch oder andere Partikel in der Luft, die durch den Betrieb der Maschine freigesetzt werden, können chemische Elemente enthalten, die krebserregend sind oder Erbkrankheiten auslösen. Dazu gehören z. B.:

- ▶ Quarzstaub, Zement und andere Baustoffe.
- ▶ Arsen und Chrom aus chemisch behandeltem Gummi.
- ▶ Blei aus bleihaltigen Farben.

Um die Belastung durch diese Chemikalien gering zu halten, arbeiten Sie in einem gut belüfteten Raum mit geeigneter Sicherheitsausrüstung, z. B. Staubmasken, die speziell für die Filterung mikroskopischer Partikel vorgesehen sind.

Gefahren durch Vibration

⚠️ Warnung

Der Anwender ist auch bei normaler und richtiger Anwendung der Maschine Vibrationen ausgesetzt. Häufige und regelmäßige Vibrationsbelastungen können zu Verletzungen der Finger, Hände, Handgelenke, Arme, Schultern und/oder andere Körperteile führen oder bestehende Schädigungen verschlimmern. Es können chronische Beschwerden oder Schwächungen entstehen, die sich nur allmählich über Zeiträume von Wochen, Monaten oder Jahren entwickeln. Dazu können Schädigungen oder Störungen des Blutkreislaufs, des Nervensystems, des Bewegungsapparats oder anderer Körperstrukturen gehören.

Falls während oder nach der Benutzung der Maschine Taubheit, Kribbeln, Schmerzen, eingeschränkte Feinmotorik oder Greiffunktion, weiße Haut oder andere Symptome auftreten, nehmen Sie die Arbeit nicht wieder auf und begeben Sie sich in medizinische Betreuung. Wenn Sie nach dem Auftreten der genannten Beschwerden die Arbeit an der Maschine fortsetzen, kann das zu einer Verschlimmerung der Beschwerden oder zu chronischen Erkrankungen führen.

Die folgenden Hinweise können dazu beitragen, die Vibrationsbelastung für den Anwender gering zu halten:

- ▶ Lassen Sie das Werkzeug die Arbeit verrichten. Wenden Sie zum Festhalten der Maschine nur soviel Kraft auf, wie für deren einwandfreie Steuerbarkeit und sicheren Betrieb mindestens erforderlich ist.
- ▶ Bei laufendem Schlagmechanismus dürfen Sie keinen anderen Körperkontakt mit der Maschine haben als die Hände am Griff. Vermeiden Sie jeden anderen Kontakt, z. B. Anlehnen irgendeines Körperteils an die Maschine, um die Vorschubkraft zu erhöhen. Wichtig ist auch, beim Zurückziehen des Werkzeugs aus der Bearbeitungsfläche den Auslöser nicht gedrückt zu halten.

- ▶ Stellen Sie sicher, dass das Werkzeug gut gewartet und nicht abgenutzt ist und die richtige Größe hat. Werkzeuge, die nicht gut gewartet oder abgenutzt sind oder die die falsche Größe haben, bewirken längere Bearbeitungszeiten und damit auch längere und höhere Vibrationsbelastungen.
- ▶ Stellen Sie sofort die Arbeit ein, wenn die Maschine plötzlich stark zu vibrieren anfängt. Ermitteln und beseitigen Sie die Ursache der verstärkten Vibrationen, bevor Sie die Arbeit fortsetzen.
- ▶ Halten Sie den für den Betrieb der Maschine empfohlenen Luftdruck ein. Höherer oder niedrigerer Luftdruck als der empfohlene kann zu stärkeren Vibrationen führen.
- ▶ Fassen Sie während des Betriebs der Maschine niemals das Werkzeug an oder halten Sie es fest.
- ▶ Nehmen Sie an medizinischen Untersuchungen und Kontrollen teil, wenn diese von Ihrem Arbeitgeber angeboten werden oder gesetzlich vorgeschrieben sind.

Lesen Sie die für diese Maschine geltende „Erklärung zu Geräuschemission und Vibration“, die sich am Ende dieser Sicherheitshinweisen und Betriebsanleitung befindet.

Gefahren durch Änderungen an der Maschine

⚠️ Warnung

Änderungen an der Maschine, die nicht von Atlas Copco genehmigt sind, können zu ernsthaften Verletzungen führen.

- ▶ **Die Maschine darf nicht ohne die Genehmigung von Atlas Copco geändert werden.**
- ▶ **Verwenden Sie nur Originalteile und Originalzubehör von Atlas Copco!**

Ergänzende Sicherheitshinweisen

- ▶ Maschinen und Zubehör dürfen nur bestimmungsgemäß verwendet werden.
- ▶ Die Maschine darf nur von qualifiziertem und geschultem Personal bedient oder gewartet werden.
- ▶ Machen Sie sich damit vertraut, wie die Maschine im Notfall ausgeschaltet wird.
- ▶ Der für die Maschine zulässige maximale Luftdruck darf nicht überschritten werden.
- ▶ Lassen Sie bei jeglicher Unterbrechung der Energieversorgung sofort den Start- und Stoppschalter los.
- ▶ Prüfen Sie die Ausrüstung vor jeder Anwendung. Bei Schadensverdacht darf die Ausrüstung nicht verwendet werden.
- ▶ Wenden Sie immer Ihren gesunden Menschenverstand an.
- ▶ Achten Sie während des Betriebs auf ungewöhnliche Vorgänge.
- ▶ Nehmen Sie die Maschine niemals in Betrieb, wenn Sie müde sind oder unter dem Einfluss von Drogen, Alkohol oder anderen Mitteln stehen, die Ihre Sicht, Reaktionsfähigkeit oder Urteilskraft einschränken.
- ▶ Nehmen Sie an Sicherheitstrainings und Schulungen teil.
- ▶ Gehen Sie mit der Ausrüstung sorgsam um.
- ▶ Lagern Sie die Maschine und die Werkzeuge in einer sicheren, abgeschlossenen Umgebung und für Kinder unzugänglich.
- ▶ Ausrüstung und Anschlusszubehör sind angemessen zu warten.
- ▶ Schilder und Aufkleber mit wichtigen Informationen zu Sicherheit und Wartung werden mit jeder Maschine ausgeliefert. Stellen Sie sicher, dass die Schilder immer gut lesbar angebracht werden. Neue Schilder und Aufkleber können anhand der Ersatzteilliste nachbestellt werden.
- ▶ Stellen Sie sicher, dass Unbefugte den Arbeitsbereich nicht betreten können.
- ▶ Halten Sie den Arbeitsplatz sauber und frei von Fremdkörpern.
- ▶ Richten Sie einen Druckluftschlauch nie auf eine andere Person oder den eigenen Körper! Die Druckluft darf nicht zum Sauberblasen der Kleidung verwendet werden.

Schutzausrüstung

Verwenden Sie stets geeignete Schutzausrüstung! Von Mitarbeitern und anderen Personen im Arbeitsbereich ist mindestens folgende Schutzausrüstung zu tragen:

- ▶ Schutzhelm
- ▶ Gehörschutz
- ▶ Schutzbrille (mit seitlicher Abschirmung der Augen)
- ▶ Atemmaske (bei Bedarf)
- ▶ Schutzhandschuhe
- ▶ Sicherheitsschuhe

Service und Wartung

Eine regelmäßige Wartung ist die Grundvoraussetzung für Sicherheit und Leistungsfähigkeit der Maschine. Halten Sie sich bitte genau an die Betriebsanleitung.

Schalten Sie bei pneumatischen Maschinen vor jeder Wartung oder jedem Werkzeugwechsel immer die Druckluftversorgung aus und lassen Sie die Maschine durch Betätigen des Start- und Stoppschalters auslaufen. Trennen Sie anschließend den Druckluftschlauch von der Maschine.

- ▶ Verwenden Sie nur Originalersatzteile. Schäden oder Fehlfunktionen, die durch den Einsatz unzulässiger Bauteile entstehen, werden nicht durch Garantie oder Produkthaftung abgedeckt.
- ▶ Wechseln Sie beschädigte Bauteile sofort aus.
- ▶ Ersetzen Sie beschädigte oder abgenutzte Komponenten rechtzeitig.
- ▶ Für eine Hauptinspektion der Maschine wenden Sie sich an Ihre nächste Vertragswerkstatt.
- ▶ Stellen Sie beim Reinigen mechanischer Teile mit Lösungsmittel sicher, dass die geltenden Gesundheits- und Sicherheitshinweisen eingehalten werden und für ausreichende Lüftung gesorgt ist.

Werkzeuge

- ▶ Halten Sie die Werkzeuge sauber und in gutem Zustand. Überprüfen Sie die Werkzeuge regelmäßig und stellen Sie sicher, dass sie scharf und nicht abgenutzt sind.

Hinweis! Die Maschine kann durch die Verwendung falscher Werkzeuge zerstört werden.

BETRIEBSANLEITUNG

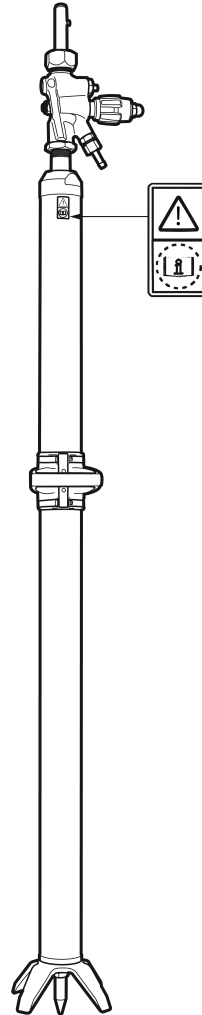
Konstruktion und Funktion

Druckluftstützen von Atlas Copco vom Typ ALF 72D, ALF 72D-1, BMK 62S und ALF 67/80D werden für leichte Bohrhämmer vom Typ BBD und RH verwendet. ALF 72D, ALF 72D-1 und ALF 67/80D werden zusammen mit dem BBD 94W verwendet und sind mit einem automatischen Rücklauf zwei-fachwirkend. Die BMK 62S wird zusammen mit dem RH 656W verwendet und muss manuell zurück-gezogen werden. ALF 72D, ALF 72D-1, BMK 62S und ALF 67/80D sind mit einem Einstufenzylinder ausgerüstet. Die ALF 67/80D ist mit einem Zwei-stufenzylinder ausgerüstet. Die Zylinder sind aus Aluminium, mit Ausnahme des Zylinders der BMK 62S – dieser ist aus Stahl. Die Druckluftstützen werden über eine spezielle Anschlussvorrichtung mit dem Bohrhämmer verbunden. Der empfohlene Luftdruck beträgt 6 Bar.

Die Druckluftstütze des Bohrhammers erleichtert dem Bediener das Anheben und den Vorschub des Bohrhammers.

Schilder und Aufkleber an der Maschine

Schilder und Aufkleber werden mit jeder Maschine ausgeliefert. Neue Aufkleber können anhand der Ersatzteilliste nachbestellt werden.



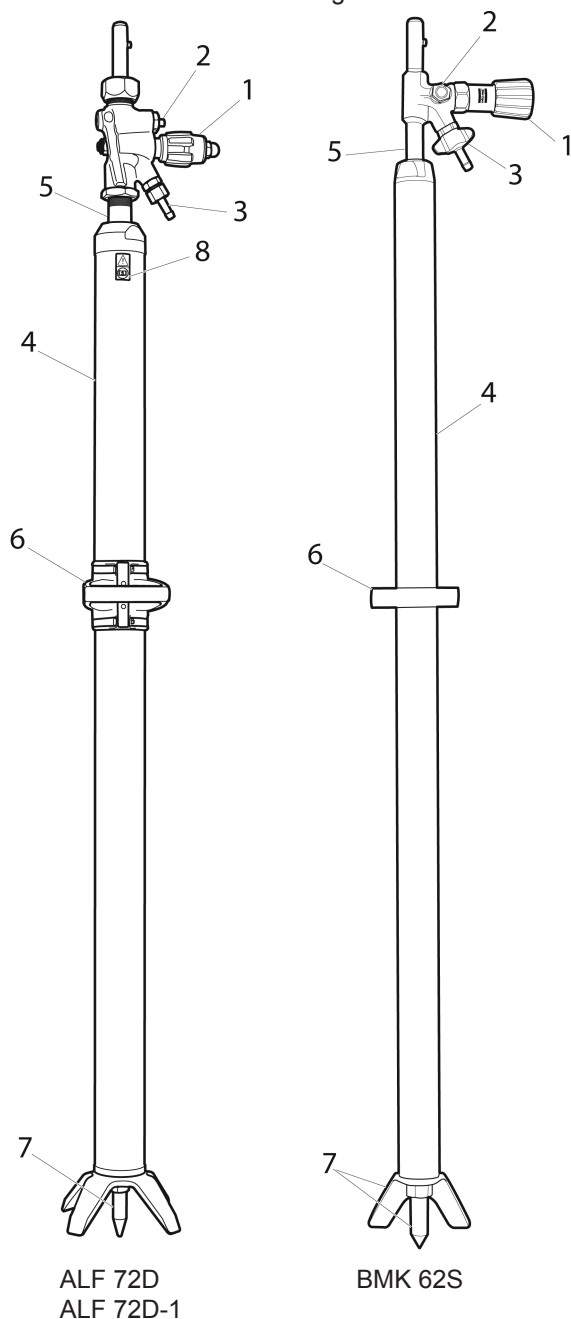
Das Typschild zeigt wichtige Informationen an:

Das Warnsymbol und das Buchsymbol weisen darauf hin, dass Sie vor dem Einsatz der Maschine die Sicherheitshinweise und die Betriebsanleitung lesen müssen.

Arbeitsprinzip einer Druckluftstütze

Funktion

Die Vorschubbewegung der Druckluftstütze erfolgt durch Druckluft, die gegen die Unterseite des Kolbens geleitet wird und den Kolben aus dem Zylinder drückt. Für den automatischen Rücklauf (nicht bei der BMK 62S) der Kolbenstange in den Zylinder wird Druckluft auf die Oberseite des Kolben geleitet.



ALF 72D
ALF 72D-1

BMK 62S

1. Vorschubeinstellung
2. Ventilstift
3. Schlauchnippel (12,5 mm)
4. Vorschubzylinder
5. Kolbenstange
6. Griff
7. Spitze mit Stütze
8. Warnschild

Vorbereitungen vor der Inbetriebnahme

1. Prüfen der Bohrausrüstung

- ▶ Stellen Sie sicher, dass die gesamte Bohrausrüstung in einwandfreiem Zustand ist.
- ▶ Stellen Sie sicher, dass die Luftzufuhr frei von Fremdkörpern ist.
- ▶ Stellen Sie sicher, dass die Anschlüsse dicht sind.

⚠ Warnung

Stellen Sie vor jedem Einsatz sicher, dass Schläuche und Anschlüsse nicht lose oder beschädigt sind. Ein herumpeitschender Luftschlauch kann ernsthafte Verletzungen verursachen.

2. Ausblasen des Luftschlauchs

- ▶ Der Luftschlauch muss täglich vor dem Einsatz des Bohrhammers ausgeblasen werden, um von angesammelten Verunreinigungen und Feuchtigkeit befreit zu werden.

3. Schmiervorrichtung mit Öl füllen

Hinweis! Stellen Sie sicher, dass das Bohrfutter und das Bohrsteel-Einsteckende immer mit einem Ölfilm bedeckt sind.

Hinweis! Verwenden Sie immer das empfohlene Schmiermittel.

Schmiermittel	Empfohlen	
Druckluftwerkzeugöl	Verwenden Sie ein mineralisches Druckluftwerkzeugöl	
	Umgebungs-temperatur °C	
	Viskosität (ISO 3448)	
	-30 bis 0	ISO VG 32-68
	-10 bis +20	ISO VG 68-100
	+10 bis +50	ISO VG 100-150

4. Einstellen des korrekten Luft- und Wasserdrucks

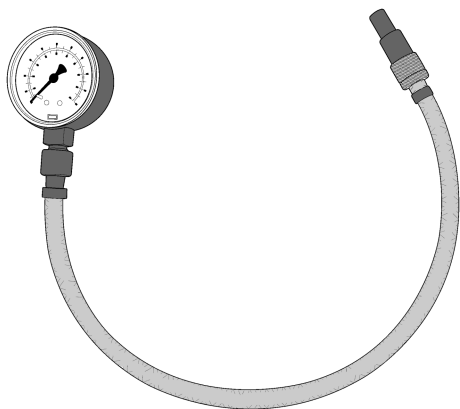
Verwenden Sie zum Messen des Luft- und Wasserdrucks während des Betriebs des Bohrhammers das Manometer **Atlas Copco-Nr. 9090 0550 80**.

Luftdruck

Stellen Sie sicher, dass der Kompressor das erforderliche Luftvolumen bei einem Luftdruck von 4-6 Bar am Werkzeug erzeugen kann.

- ▶ **Zu hoher Druck** verursacht einen harten Lauf und Beschädigungen der Maschine.
- ▶ **Zu niedriger Druck** führt zu einer geringen Bohrgeschwindigkeit.

Wasserdruck



Das Manometer verfügt über eine Nadel, die in den Schlauch gedrückt wird, um den Druck im Innern zu messen.

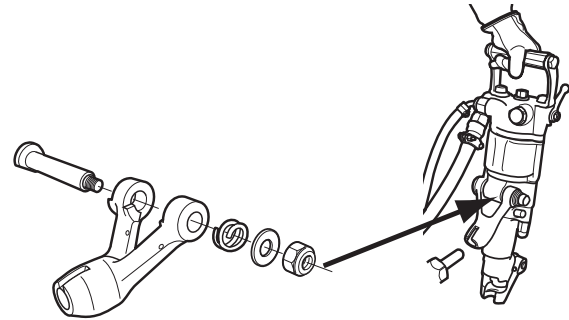
Hinweis! Stellen Sie sicher, dass der Wasserdruck mindestens 1 Bar unter dem Luftdruck liegt. Andernfalls kann Wasser in den Schlagmechanismus eindringen. Wenn der Luftdruck z. B. 6 Bar beträgt, darf der Wasserdruck höchstens 5 Bar betragen, damit kein Wasser in den Schlagmechanismus eindringt.

Anschlussvorrichtung

Zum Anbringen der Druckluftstütze am Bohrhammer wird eine Anschlussvorrichtung benötigt.

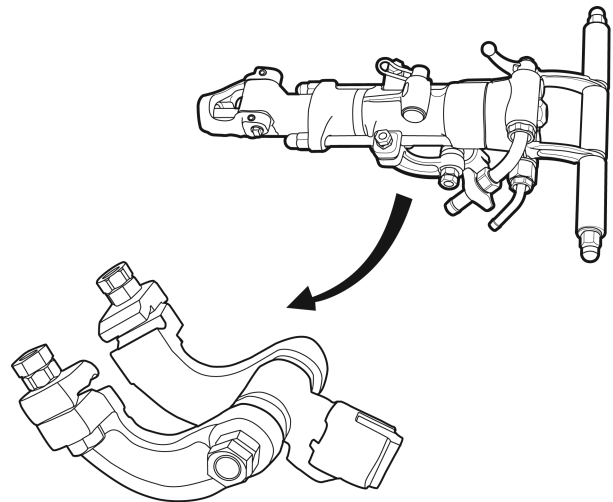
Bohrhammer BBD 94

Die Anschlussvorrichtung wird am Mittelteil des Bohrhammers angebracht.

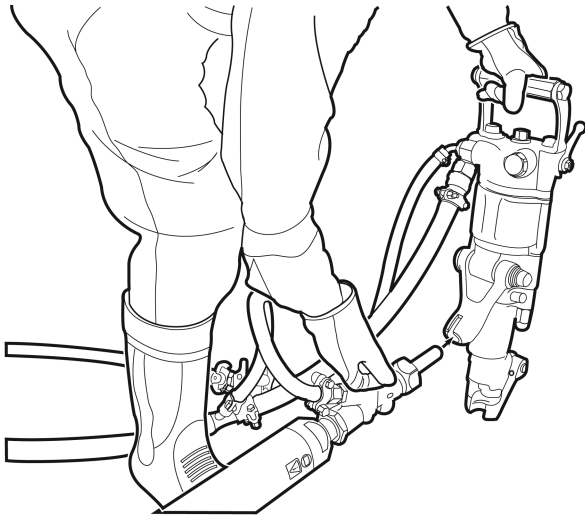


Bohrhammer RH 656 W

Die Anschlussvorrichtung wird durch Ankleben an die Seitenschrauben am Bohrhammer angebracht.



Anbringen der Druckluftstütze am Bohrhammer



Die Druckluftstütze muss über den Bajonettverschluss mit dem Bohrhammer verbunden werden.

Bedienelemente

Bedienelemente für ALF 72D, ALF 72D-1 und ALF 67/80D

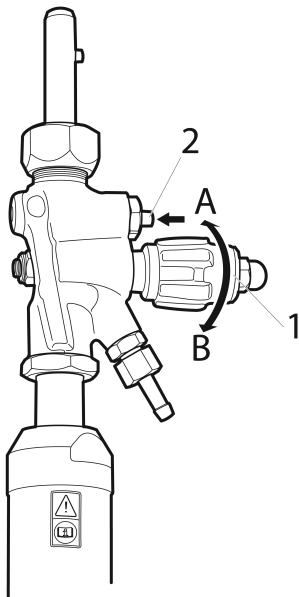
Vorschubeinstellung an der Druckluftstütze (1)

Stellen Sie die Vorschubkraft mithilfe des Vorschubeinstellrings wie folgt ein:

Drehen Sie den Einstellring entgegen dem Uhrzeigersinn (B), um die Vorschubkraft zu erhöhen.

Drehen Sie den Einstellring im Uhrzeigersinn (A), um die Vorschubkraft zu verringern.

In der geschlossenen Stellung ist die Druckluftstütze entlüftet.



Ventilstift (2)

Durch Drücken des Ventilstifts stoppt der Vorschub sofort, unabhängig von der Einstellung am Vorschubeinstellring. Diese Funktion dient z. B. dazu, die Lage des Bohrhammers beim Ansetzen oder bei Klemmung zu korrigieren.

Beim Drücken des Ventilstifts, wird die Kolbenstange in der Druckluftstütze automatisch zurückgezogen.

Bedienelemente für BMK 62S

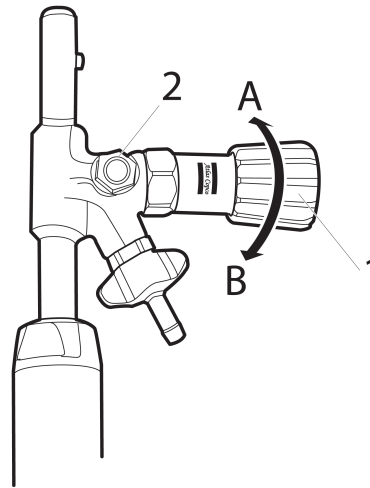
Vorschubeinstellung an der Druckluftstütze (1)

Stellen Sie die Vorschubkraft mithilfe des Vorschubeinstellrings wie folgt ein:

Drehen Sie den Einstellring entgegen dem Uhrzeigersinn (B), um die Vorschubkraft zu erhöhen.

Drehen Sie den Einstellring im Uhrzeigersinn (A), um die Vorschubkraft zu verringern.

In der geschlossenen Stellung ist die Druckluftstütze entlüftet.

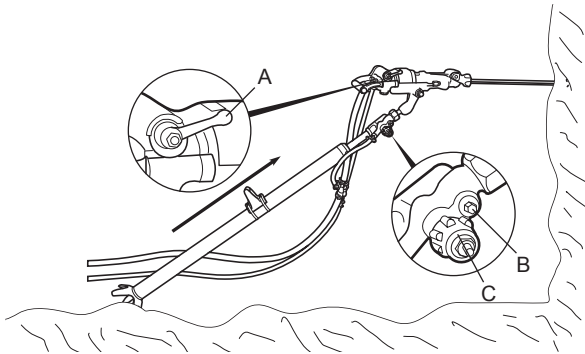


Ventilstift (2)

Durch Drücken des Ventilstifts stoppt der Vorschub sofort, unabhängig von der Einstellung am Vorschubeinstellring. Diese Funktion dient z. B. dazu, die Lage des Bohrhammers beim Ansetzen oder bei Klemmung zu korrigieren.

Bohren

Starten des Bohrhammers



1. Öffnen Sie das Hauptventil für die Druckluft.
2. Stellen Sie die Vorschubeinstellung (C) auf eine für den Bohrungsansatz geeignete Vorschubkraft ein.
3. Halten Sie den Bohrhammer so, dass der Bohrstahl den gewünschten Ansatzpunkt berührt.
4. Schieben Sie den Drosselhebel (A) etwas nach vorn, und Wasserspülung, Schlagmechanismus und Rotation setzen ein.
5. Beginnen Sie die Bohrung mit verringerter Vorschubkraft.
6. Schieben Sie den Drosselhebel (A) ganz nach vorn, wenn der Bohrstahl ausreichend Führung im Gestein erlangt hat.
7. Stellen Sie die Vorschubkraft mithilfe des Vorschubeinstellrings (C) so ein, dass eine maximale Eindringgeschwindigkeit erreicht wird.

Anhalten des Bohrhammers

1. Schieben Sie den Drosselhebel (A) zurück, und Schlagmechanismus, Rotation und Wasserspülung halten an.
2. Bringen Sie den Vorschubeinstellring (C) in die geschlossene Stellung.

Neupositionieren der Vorschubstütze

1. Schalten Sie Schlagmechanismus und Spülung über den Drosselhebel (A) aus.
2. Drücken Sie den Ventilstift (B), wodurch die Kolbenstange automatisch (bzw. manuell bei der BMK 62S) in den Zylinder der Druckluftstütze zurückgezogen wird.
3. Richten Sie die Druckluftstütze neu aus.
4. Lassen Sie den Ventilstift (B) los, wodurch die Kolbenstange wieder ausfährt.
5. Schieben Sie den Drosselhebel (A) wieder nach vorn in Arbeitsstellung.
6. Der Vorschubeinstellung (C) muss für diesen Vorgang nicht verwendet werden.

Nach Beendigung des Bohrens

Legen Sie den Bohrhammer auf einen Stein, ein Holzbrett oder ein ähnliches Objekt, um zu verhindern, dass Gesteinsbrösel oder andere Fremdkörper in das Bohrfutter eindringen.

Stellen Sie zuerst die Wasserzufuhr und dann die Druckluft ab. Lassen Sie den Bohrhammer nach dem Abstellen der Wasserzufuhr ein paar Minuten weiterlaufen, um restliches Wasser und Feuchtigkeit auszublasen.

Wartung

Eine regelmäßige Wartung ist Grundvoraussetzung für die Sicherheit der Maschine. Ersetzen Sie beschädigte oder verschlissene Komponenten rechtzeitig. Für eine Hauptdurchsicht der Maschine wenden Sie sich an Ihre nächste Vertragswerkstatt.

Prüfen Sie die Maschine und die Werkzeuge regelmäßig auf Abnutzung und Beschädigungen. Verwenden Sie niemals stark verschlissene oder beschädigte Werkzeuge.

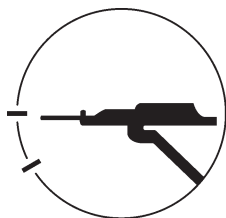
Stellen Sie beim Reinigen mechanischer Teile mit Lösungsmitteln sicher, dass die geltenden Gesundheits- und Sicherheitsvorschriften eingehalten werden und für ausreichende Lüftung gesorgt ist.

Eine tägliche Wartung, die regelmäßige Prüfung von Verschleißteilen und rechtzeitig ausgeführte Reparaturen beugen einem plötzlichen Totalausfall vor und erhöhen die Lebensdauer der Maschine.

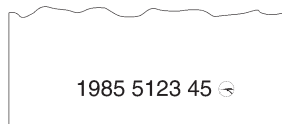
- ▶ Ölen Sie den Bohrhammer und die Vorschubstütze vor dem Einlagern immer gut ein.
- ▶ Lagern Sie den Bohrhammer an einem sauberen und trockenen Ort.
- ▶ Stellen Sie sicher, dass keine Fremdkörper in die Maschine gelangen.
- ▶ Reinigen Sie den Bohrhammer und die Druckluftstütze nach der Benutzung immer mit einem Wasserstrahl und wischen Sie ihn trocken.

Unterschiede zwischen Originalersatzteilen und baugleichen Ersatzteilen

Stellen Sie beim Kauf von Ersatzteilen zunächst fest, ob es sich um ein Originalersatzteil von Atlas Copco handelt. Ersatzteile können meistens identifiziert werden.



PNA



Bohrhammerbauteile von Atlas Copco sind normalerweise mit einer Artikelnummer und dem Atlas Copco-Logo, ein Kreis mit einem Bohrhammer, gekennzeichnet. In seltenen Fällen sind Bauteile nur mit dem Logo oder der Artikelnummer gekennzeichnet.

Bauteile aus Gummi oder Kunststoff sind in der Regel nicht gekennzeichnet.

Bei kopierten Konkurrenzprodukten sind oft nur die größeren, teuren Ersatzteile gekennzeichnet. Einige Teile haben nur eine Artikelnummer, andere haben auch ein Herstellerlogo, z. B. Initialen. In diesen Fällen sind die Artikelnummern oft von Hand geprägt und sehen unregelmäßig aus. Von Atlas Copco geprägte Artikelnummern sind regelmäßig und alle Zeichen haben die gleiche Größe. Ebenso fallen Prägetiefe und Zwischenabstände der Zeichen gleichmäßig aus.

Einmal pro Schicht (alle 8 Betriebsstunden)

1. Prüfen Sie die Verbindung von Bohrhammer und Druckluftstütze.
2. Prüfen Sie Schläuche, Kupplungen und Steuerelemente auf Undichtigkeiten und Beschädigungen.
3. Stellen Sie sicher, dass der Bohrhammer und die Druckluftstütze ausreichend geschmiert sind. Füllen Sie die Schmiervorrichtung bei Bedarf auf.
4. Leeren Sie den Wasserabscheider.

Einmal pro Woche (alle 40 Betriebsstunden)

- ▶ Führen Sie eine Grundprüfung aller Funktionen der Bohrausrüstung durch.

Verschrottung und Entsorgung von Abfall

Verschlossene Maschinen müssen so entsorgt werden, dass so viel Material wie möglich wiederverwendet werden kann und die Umwelt so wenig wie möglich belastet wird.

Fehlersuche

Grundlegende Hinweise zur Fehlersuche

Problem	Ursache	Lösung
Vorschubkraft zu gering	Zu niedriger Luftdruck	Erhöhen Sie den Luftdruck auf 6 Bar.
	Das Ventil 3121 0726 80 ist verklemmt oder die Dichtungen 0663 2124 00 sind verschlissen (gilt nur für die ALF-Modelle).	Zerlegen Sie das Ventil und reinigen Sie es bei Bedarf. Ersetzen Sie verschlissene oder deformierte Dichtungen.
	Kolbenstangendichtung verschlissen oder deformiert.	Ersetzen Sie die Dichtung

¹ Verschleißgrenzen und Anzugsdrehmomente finden Sie in der Service-Information für leichte Bohrhämmer, Atlas Copco-Dokumentnr. 9853 1086 01.

² Lehre für Bohrfutterbuchse 22 mm (7/8 Zoll), Sechskant-Einsteckende, Atlas Copco-Nr. 3091 0038 00.

³ Verwenden Sie zum Messen des Luft- und Wasserdrucks das Manometer Atlas Copco-Nr. 9090 0550 80.

Zubehör

Zubehör	Bestellnr.
Schmiervorrichtung für BBC, BBD, RH:	
BLG 30, für Mineralöl	8202 5102 05
CLG 30, für Mineralöl und synthetisches Öl	8202 5102 39
Wasserabscheider für BBC, BBD, RH:	
VAM 5A, für Luftstrom von bis zu 120 l/s (254 cfm)	8092 0110 82
Druckluft-Zubehör für 25 mm (1 Zoll)	
Gummischlauch, 30 m	9030 2041 00
Klauenkupplung	9000 0313 00
Zweiteilige Schlauchklemme	9000 0197 00
Manometer für Luft- und Wasserdruck	
Manometer	9090 0550 80
Satz Ersatznadeln	9090 0678 90
Druckluftschlauch 25 mm (1 Zoll) für Bohrhammer und Vorschub mit Kupplungen für:	
BBD 94W zusammen mit ALF 72D, ALF 72D-1 und ALF 67/80D	9030 2068 00
Druckluftschlauch 20 mm (3/4 Zoll) für Bohrhammer und Vorschub mit Kupplungen für:	
RH 656W zusammen mit BMK 62S	9030 2067 00
Schwingungsdämpfende Handschuhe	
Größe L	9800 0434 01
Größe XL	9800 0435 01

Technische Daten

Typ	Bestellnr.	Passend für Bohrhammer	Vorschub Länge (mm)	Länge zurückgezogen (mm)	Länge extrahiert (mm)	Gewicht (kg)	Kolben Bohrung (mm)
<i>Einzelteleskop</i>							
ALF 72D	8321 0201 80	BBD 94W	1300	1970	3270	19	70
ALF 72D-1	8321 0201 81	BBD 94W	1200	1830	3030	16	70
BMK 62S	8321 0102 02	RH 656W	1300	1815	3115	17	53
<i>Doppelteleskop</i>							
ALF 67/80D	8321 0201 69	BBD 94W	1855	1595	3450	19	67/80

ESPAÑOL

Contenido

INSTRUCCIONES DE SEGURIDAD	53
Símbolos de seguridad utilizados	53
Riesgo durante el transporte	53
Peligros de utilización de la máquina y las herramientas	53
Peligros de explosión e incendio	54
Peligros relacionados con objetos eléctricos/ocultos	55
Peligros relacionados con proyectiles	55
Riesgos relacionados con el ruido	55
Riesgos relacionados con el sílice o el polvo	55
Riesgos relativos a las vibraciones	56
Riesgos de modificación de la máquina	56
Instrucciones de seguridad adicionales	57
Equipo de protección	57
Servicio y mantenimiento	57
Herramientas de trabajo	57
INSTRUCCIONES DE FUNCIONAMIENTO	58
Diseño y funcionamiento	58
Símbolos y letreros de la máquina	58
Principio de funcionamiento de un empujador	59
Función	59
Preparaciones antes de la puesta en marcha	59
Dispositivo acoplador	60
Perforadora BBD 94	60
Perforadora RH 656 W	60
Acoplar el empujador a la perforadora	61
Controles	61
Controles para ALF 72D, ALF 72D-1 y ALF 67/80D	61
Controles para BMK 62S	61
Cómo perforar	62
Poner en marcha la perforadora	62
Detener la perforadora	62
Reposicionar el empujador	62
Cuando haya terminado de perforar	62
Mantenimiento	62
Diferencias entre las piezas originales y otras piezas	63
Una vez cada turno (después de 8 horas de funcionamiento)	63
Una vez a la semana (después de 40 horas de funcionamiento)	63
Desecho de la máquina y eliminación de los residuos	63
Localización y resolución de problemas	64
Guía básica para la localización y resolución de problemas	64
Accesorios	65
Datos técnicos	66

INSTRUCCIONES DE SEGURIDAD

Para reducir el riesgo de ocasionar lesiones graves o la muerte a usted o a otras personas, lea estas instrucciones de seguridad antes de utilizar la máquina.

Cuelgue estas instrucciones de seguridad en las zonas de trabajo, proporcione copias a los empleados y asegúrese de que todos las lean antes de utilizar la máquina o realizar las tareas de mantenimiento de ésta.

Siga todas las instrucciones de seguridad contenidas en este manual.

Todas las instrucciones de seguridad cumplen la legislación y directivas vigentes en la Unión Europea.




También deberá cumplir cualquier directiva adicional a escala nacional/regional.

En los países que no pertenezcan a la Unión Europea, las leyes y normativas locales vigentes serán de aplicación.

Asimismo deberá cumplirse cualquier otra legislación y disposición local.

Símbolos de seguridad utilizados

Los términos **Peligro**, **Atención** y **Cuidado** tienen los siguientes significados:

 Peligro	Indica una situación de peligro inminente que, si no se evita, podría ocasionar la muerte o lesiones graves.
 Atención	Indica una situación de posible peligro que, si no se evita podría ocasionar la muerte o lesiones graves.
 Cuidado	Indica una situación que, si no se evita, puede producir lesiones personales o daños al producto u otros bienes.

Riesgo durante el transporte

Cuidado

La perforadora y su columna son pesadas. Para evitar lesiones personales durante el transporte a la zona de trabajo

- Utilice una carretilla o pida ayuda a un compañero durante el transporte.

Peligros de utilización de la máquina y las herramientas

Atención

Durante la utilización de la máquina podría producirse un movimiento súbito o inesperado de ésta que podría provocar lesiones. Asimismo, si alguien pierde el equilibrio o resbala podría sufrir lesiones. Para reducir los riesgos:

- Asegúrese de estar siempre en una posición estable con los pies separados a la altura de los hombros, y con el peso del cuerpo equilibrado.
- Manténgase firmemente de pie y agarre siempre la máquina con ambas manos.
- No inicie la máquina cuando esté en el suelo.
- Compruebe que la empuñadura esté limpia de grasa o aceite.

Atención

El arranque accidental de la máquina puede ocasionar lesiones.

- Mantenga las manos alejadas del dispositivo de puesta en marcha y parada hasta que esté a punto de empezar a trabajar.

Atención

La herramienta de trabajo está expuesta a grandes tensiones cuando se utiliza la máquina, por lo que podría romperse tras un uso prolongado. Si se rompe la herramienta, puede ocasionar movimientos súbitos o violentos. Estos movimientos súbitos o violentos pueden ocasionar lesiones graves.

- Asegúrese de estar siempre en una posición estable con los pies separados a la altura de los hombros, y con el peso del cuerpo equilibrado.
- Compruebe regularmente el desgaste de la herramienta de trabajo y compruebe si hay signos de daños o grietas visibles.

Atención

Unas dimensiones incorrectas del buje de la herramienta de trabajo pueden dar lugar a que ésta se pierda o resbale durante su uso. Una herramienta que se pierda o resbale puede ocasionar lesiones.

- Antes de insertar la herramienta de trabajo, asegúrese de que las dimensiones del buje sean correctas para el uso de la máquina.
- Está prohibido el uso de herramientas de trabajo sin collarín.

⚠ Atención

Si el retenedor de la herramienta de la máquina no está en posición bloqueada, la herramienta podría ser expulsada con gran fuerza y provocar lesiones graves.

- ▶ Cuando se ha montado y bloqueado la herramienta de trabajo, debe comprobarse el funcionamiento del bloqueo tirando de la herramienta hacia afuera enérgicamente.
- ▶ Compruebe que la herramienta de trabajo esté totalmente insertada y que su retenedor esté en la posición de bloqueo antes de poner el marcha la máquina.
- ▶ No dirija nunca la herramienta de trabajo en dirección a su cuerpo o a otra persona.

⚠ Atención

Si cambia la herramienta de trabajo mientras la máquina está en marcha podría sufrir lesiones graves.

- ▶ Antes de cambiar la herramienta, detenga siempre la máquina.
- ▶ Nunca agarre o toque una barrena de perforación mientras esté girando.

⚠ Atención

Una manguera de aire comprimido floja puede asestar latigazos al operador o a las personas que se encuentren en las inmediaciones y ocasionar lesiones o incluso la muerte.

Para reducir los riesgos:

- ▶ Compruebe que la manguera de aire comprimido y las conexiones no estén dañadas.
- ▶ Compruebe que todas las conexiones de aire comprimido estén correctamente fijadas.
- ▶ No intente nunca desconectar una manguera de aire comprimido que esté presurizada. En primer lugar, deberá cortar el suministro de aire comprimido del compresor y, a continuación, purgar la máquina activando el dispositivo de puesta en marcha y parada.

⚠ Atención

Si la barrena de perforación se atranca durante el funcionamiento, toda la máquina empezará a girar si deja de sujetarla. Este giro inesperado de toda la máquina podría provocar lesiones graves.

- ▶ Manténgase de pie firmemente y agarre siempre la máquina con ambas manos.
- ▶ Compruebe que la empuñadura esté limpia de grasa o aceite.
- ▶ Nunca perforo un barreno antiguo.

⚠ Atención

Existe el riesgo de que algún objeto se vea arrastrado o atrapado por una barrena de perforación girando. Esto podría provocar lesiones graves.

- ▶ Nunca agarre o toque una barrena de perforación mientras esté girando.
- ▶ Evite lleva prendas que podrían quedar atrapadas.
Si tiene el pelo largo, cúbralo con una redcilla o similar.

Peligros de explosión e incendio**⚠ Peligro**

Si la máquina entra en contacto con un explosivo podría producirse una explosión. Las explosiones pueden provocar lesiones graves o la muerte.

Para reducir el riesgo de una explosión:

- ▶ Nunca utilice el equipo para perforar cerca de explosivos, incluyendo dinamita u otros explosivos en la roca.
- ▶ Asegúrese de que no hay explosivos en la roca.
- ▶ Nunca perforo un barreno antiguo.

⚠ Atención

Al perforar y trabajar con ciertos materiales pueden generarse chispas que podrían encender gases explosivos y causar explosiones. Las explosiones pueden provocar lesiones graves o la muerte.

Para reducir el riesgo de una explosión:

- ▶ Nunca utilice la máquina en un entorno explosivo.
- ▶ No utilice la máquina cerca de materiales, humo o polvo inflamables.
- ▶ Asegúrese de que no existen fuentes de gas ocultas.

Peligros relacionados con objetos eléctricos/ocultos

⚠ Peligro

La máquina no está aislada eléctricamente. Si la máquina entra en contacto con electricidad, podría provocar lesiones graves o la muerte.

- ▶ Para reducir el riesgo de sufrir lesiones graves o la muerte, nunca utilice la máquina cerca de cables eléctricos u otras fuentes de electricidad.
- ▶ Compruebe que no haya cables u otras fuentes de electricidad ocultos.

⚠ Atención

Durante la perforación, los cables y tubos ocultos constituyen un peligro que pueden ocasionar lesiones graves o la muerte.

- ▶ Antes de empezar a perforar, compruebe la composición del material sobre el que debe trabajar.
- ▶ Vigile con los cables y tubos ocultos, como líneas de electricidad, teléfono, agua, gas y aguas residuales.
- ▶ Si la herramienta parece haber topado con un objeto oculto, apague la máquina de inmediato.
- ▶ Compruebe que no haya ningún peligro antes de continuar.

Peligros relacionados con proyectiles

⚠ Atención

Durante la perforación del material, las astillas u otras partículas pueden convertirse en proyectiles y ocasionar lesiones al golpear al operario u otras personas.

- ▶ Utilice equipo de protección personal aprobado, incluyendo gafas de seguridad resistentes a los impactos con protección lateral, para reducir el riesgo de sufrir lesiones ocasionadas por un proyectil.

⚠ Cuidado

Durante el barrido del barreno pueden expulsarse partículas y agua sucia y se pueden producir lesiones personales.

- ▶ Póngase a un lado y tápese los ojos antes de empezar a purgar el barreno para limpiarlo.
- ▶ Utilice siempre protección ocular contra impactos con protección lateral.
- ▶ Compruebe que no haya personal cerca cuando se realice la limpieza por soplado.

Riesgos relacionados con el ruido

⚠ Atención

Los niveles de ruido altos pueden provocar una pérdida auditiva permanente.

- ▶ Utilice protección auditiva de acuerdo con las regulaciones de salud y seguridad laborales.

Riesgos relacionados con el sílice o el polvo

⚠ Atención

Las exposiciones al sílice cristalino (a veces llamado polvo de sílice) como resultado de las perforaciones u otras actividades que incluyan piedra, hormigón, asfalto u otros materiales pueden causar silicosis (una seria enfermedad de los pulmones), enfermedades relacionadas con la silicosis, cáncer o la muerte. El sílice es uno de los principales componentes en los yacimientos de rocas, áridos y minerales.

Para reducir la exposición al sílice:

- ▶ Utilice controles de ingeniería adecuados para reducir la cantidad de sílice presente en el aire y la acumulación de polvo sobre el equipo y las superficies. Algunos ejemplos de estos controles son: sistemas de ventilación y captación de polvo, rociadores de agua y perforaciones con barrido por agua. Compruebe que los controles estén adecuadamente instalados y mantenidos.
- ▶ Lleve, mantenga y utilice correctamente mascarillas antipartículas aprobadas cuando no tenga suficiente con los controles de ingeniería para reducir la exposición por debajo de niveles permisibles.
- ▶ Participe en la supervisión de la calidad de aire, en exámenes médicos y programas de formación ofrecidos por su superior y cuando la ley así lo exija.
- ▶ Lleve ropa de protección que se pueda lavar o desechar en el lugar de trabajo; dúchese y póngase ropa limpia antes de abandonar el lugar de trabajo para evitar exponerse usted, otras personas, coches, viviendas y otras áreas al sílice.
- ▶ No coma, beba o fume en zonas donde haya polvo que contenga sílice cristalino.
- ▶ Lávese las manos y la cara antes de comer, beber o fumar fuera de la zona de exposición.
- ▶ Trabaje con su superior para reducir la exposición al sílice en su lugar de trabajo.

⚠ Atención

El polvo, los gases u otro material en suspensión generado durante el uso de la máquina puede contener sustancias químicas que en el Estado de California se sabe que han producido cáncer y defectos de nacimiento u otros daños reproductivos. Algunos ejemplos de estas sustancias químicas son:

- ▶ Sílice cristalino, cemento y otros productos de albañilería.
- ▶ Arsénico y cromo proveniente del caucho tratado con productos químicos.
- ▶ Plomo proveniente de pinturas al plomo.

Para reducir su exposición a estas sustancias químicas, trabaje en una zona bien ventilada con equipos de seguridad aprobados, como máscaras de polvo, que estén especialmente diseñadas para filtrar partículas microscópicas.

Riesgos relativos a las vibraciones

⚠ Atención

El uso normal y correcto de la máquina expone al operario a las vibraciones. La exposición regular y frecuente a las vibraciones puede ocasionar lesiones o trastornos, o contribuir a provocarlas o agravarlas, en los dedos, manos, muñecas, brazos, hombros y/u otras partes del cuerpo del operario, incluidas lesiones o trastornos permanentes y/o debilitantes que pueden desarrollarse gradualmente durante períodos de semanas, meses o años. Estas lesiones o trastornos pueden incluir el deterioro del sistema sanguíneo circulatorio, el sistema nervioso, las articulaciones y otros daños en distintas zonas corporales.

Si siente que se le duerme algún miembro del cuerpo, u hormigueos, dolor, torpeza, una capacidad de agarre debilitado en las manos, la piel pálida u otros síntomas en cualquier momento, al usar la máquina o en otro momento, deje de usarla y vaya al médico. El uso continuado de la máquina tras el desarrollo de cualquier síntoma parecido puede aumentar el riesgo de que éste se agrave y/o se convierta en permanente.

Las siguientes indicaciones pueden ayudar a reducir la exposición a las vibraciones para el operario:

- ▶ Deje que sea la máquina quien haga el trabajo. Agárrela lo mínimo, para controlarla correctamente y que su uso sea seguro.

- ▶ Cuando se active el mecanismo de percusión, el único contacto corporal con la máquina que debería tener es el de las manos en las empuñaduras. Evite cualquier otro contacto, como apoyar cualquier parte del cuerpo en la máquina o apoyarse en ella para aumentar la fuerza de avance. También es importante no mantener el arranque encendido al mismo tiempo que se extrae la herramienta de la superficie de trabajo.

- ▶ Asegúrese de que la herramienta de trabajo se encuentra en buenas condiciones, no está gastada y es del tamaño adecuado. Las herramientas de trabajo que no se encuentran en buenas condiciones, están gastadas o no son del tamaño adecuado alargan el tiempo de realización de una tarea (y de exposición a las vibraciones) y pueden contribuir a la exposición a niveles más altos de vibración.

- ▶ Deje de trabajar inmediatamente, si de repente la máquina empieza a vibrar violentamente. Antes de continuar trabajando, encuentre y elimine la causa del incremento de las vibraciones.

- ▶ Cumpla con la presión del aire recomendado al utilizar la máquina. Una presión del aire inferior o superior a la recomendada puede causar niveles más altos de vibración.

- ▶ No agarre, sostenga o toque la herramienta insertada cuando utilice la máquina.

- ▶ Participe en la supervisión de la calidad de aire, en exámenes médicos y programas de formación ofrecidos por su superior y cuando la ley así lo exija.

Diríjase a la "*Declaración de Ruidos y Vibraciones*" de la máquina que se encuentra al final de estas instrucciones de seguridad y funcionamiento.

Riesgos de modificación de la máquina

⚠ Atención

Cualquier modificación de la máquina no aprobada por Atlas Copco puede ocasionar lesiones graves a usted y a otras personas.

- ▶ **La máquina no debe modificarse sin el permiso de Atlas Copco.**
- ▶ **Utilice exclusivamente las piezas y los accesorios originales aprobados por Atlas Copco.**

Instrucciones de seguridad adicionales

- ▶ Las máquinas y los accesorios sólo deben utilizarse para su uso indicado.
- ▶ Sólo personas cualificadas y formadas pueden utilizar o mantener la máquina.
- ▶ Aprenda cómo apagar la máquina en caso de una emergencia.
- ▶ No se debe exceder la presión máxima de aire permitida para la máquina.
- ▶ Suelte inmediatamente el dispositivo de puesta en marcha y parada en caso de interrupción del suministro de energía.
- ▶ Inspeccione siempre el equipo antes de su uso. No utilice el equipo si cree que puede estar dañado.
- ▶ Utilice siempre su sentido común y buen juicio.
- ▶ Preste atención y fíjese en lo que hace.
- ▶ No utilice la máquina si está cansado o se encuentra bajo los efectos de fármacos, alcohol o cualquier otra sustancia que pudiera afectar a su visión, a sus reacciones o a su juicio.
- ▶ Participe en cursos de seguridad y formación.
- ▶ No golpee nunca ni maltrate el equipo.
- ▶ Guarde la máquina y las herramientas en un lugar seguro, fuera del alcance de los niños y bajo llave.
- ▶ Asegúrese de que todo el equipo conectado y relacionado recibe un mantenimiento adecuado.
- ▶ Se suministran con cada máquina símbolos y letreros con información importante relativa a la seguridad personal y al cuidado de la máquina. Asegúrese de que los símbolos estén siempre legibles. Pueden pedirse símbolos y letreros nuevos de la lista de piezas de repuesto.
- ▶ Asegúrese de que el personal no autorizado no entre en la zona de trabajo.
- ▶ Mantenga el lugar de trabajo limpio y libre de objetos extraños.
- ▶ No dirija nunca una manguera de aire comprimido en dirección a su cuerpo o a otra persona. Para evitar el riesgo de lesiones, no utilice nunca una manguera de aire comprimido para limpiar el polvo, la suciedad u otras partículas de sus ropas.

Equipo de protección

Utilice siempre equipo protector aprobado. Los operarios y el resto del personal del área de trabajo deben llevar equipo protector, como mínimo:

- ▶ Casco de protección
- ▶ Protección para los oídos
- ▶ Protección ocular contra impactos con protección lateral
- ▶ Protección respiratoria, cuando sea conveniente
- ▶ Guantes protectores
- ▶ Botas protectoras

Servicio y mantenimiento

El mantenimiento regular es un prerrequisito para que el uso de la máquina sea seguro y eficaz. Siga las instrucciones de funcionamiento detenidamente.

Antes de realizar cualquier tarea de mantenimiento o cambiar la herramienta de trabajo en las máquinas neumáticas, desactive siempre el suministro de aire y purgue la máquina pulsando el dispositivo de puesta en marcha y parada. Luego desconecte la manguera de aire de la máquina.

- ▶ Siempre se deben utilizar piezas originales. Cualquier fallo o defecto originado por la utilización de piezas no originales produce la consecuente pérdida de garantía.
- ▶ Cambie las piezas dañadas de inmediato.
- ▶ Sustituya los componentes dañados o gastados con el debido tiempo.
- ▶ Para realizar una reparación más completa de la máquina, acuda al taller autorizado más cercano.
- ▶ Al limpiar piezas mecánicas con un disolvente, asegúrese de cumplir con las regulaciones actuales relativas a la salud y la seguridad y de que haya la suficiente ventilación.

Herramientas de trabajo

- ▶ Mantenga las herramientas limpias y en buen estado. Inspeccione las herramientas de trabajo con regularidad y compruebe que estén afiladas y no estén gastadas.

¡Importante! El uso de herramientas de trabajo incorrectas puede inutilizar la máquina.

INSTRUCCIONES DE FUNCIONAMIENTO

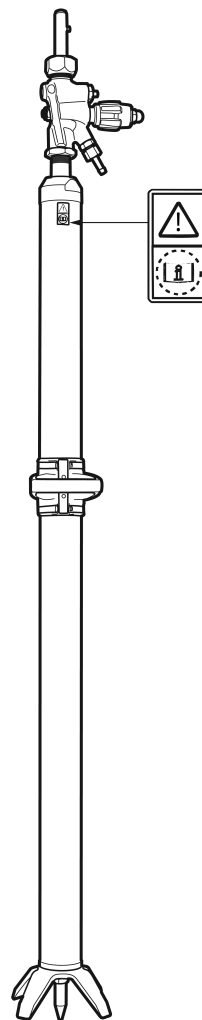
Diseño y funcionamiento

Los empujadores de Atlas Copco del tipo ALF 72D, ALF 72D-1, BMK 62S y ALF 67/80D se utilizan con perforadoras ligeras del tipo BBD y RH. ALF 72D, ALF 72D-1 y ALF 67/80D se utilizan junto con BBD 94W y son de accionamiento doble con retorno automático. BMK 62S se utiliza junto con RH 656W y debe retraerse manualmente. ALF 72D, ALF 72D-1, BMK 62S y ALF 67/80D incluyen un cilindro de una fase. ALF 67/80D incluye un cilindro de doble fase. Los cilindros son de aluminio excepto por el BMK 62S, que es de acero. Los empujadores van conectados a la perforadora mediante un dispositivo acoplador especial. La presión de aire recomendada es de 6 bares.

El soporte del empujador sirve para ayudar al operador a alzar e empujar la perforadora durante las perforaciones.

Símbolos y letreros de la máquina

Cada máquina incluye símbolos y letreros importantes para su seguridad y para el cuidado de la máquina. Puede solicitar nuevos letreros mediante la lista de piezas de repuesto.



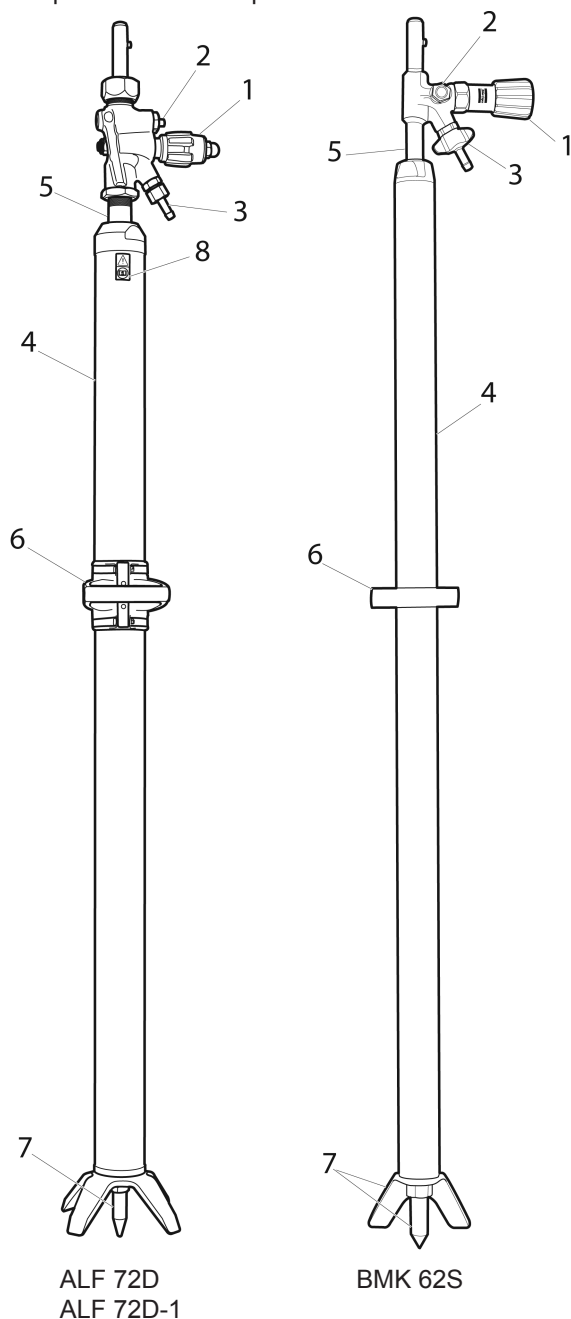
Los símbolos muestran información importante:

El símbolo de advertencia, junto con el símbolo de libro, significan que debe leer las Instrucciones de seguridad y de funcionamiento antes de utilizar la máquina.

Principio de funcionamiento de un empujador

Función

El movimiento de avance del empujador se alimenta mediante aire comprimido, que se dirige al lado inferior del pistón, empujando a éste fuera del cilindro. Para el retorno automático (excepto el BMK 62S) de la barra del pistón al cilindro, se dirige aire comprimido al lado superior de éste.



1. Mando de control de avance
2. Pasador de válvula
3. Unión roscada de la manguera (12,5 mm)
4. Cilindro de avance
5. Barra del pistón
6. Empuñadura
7. Punta con soporte
8. Etiqueta de advertencia

Preparaciones antes de la puesta en marcha

1. Compruebe el equipo de la perforadora

- ▶ Compruebe que todo el equipo de la perforadora esté en buen estado de funcionamiento.
- ▶ Compruebe que no haya ningún atasco en el puerto de admisión.
- ▶ Compruebe que los acoplamientos estén firmemente sujetos y que no presenten fugas.

⚠ Advertencia

Compruebe siempre que no haya mangueras o accesorios dañados o sueltos antes de utilizar la máquina. Si las mangueras se sueltan pueden provocar lesiones graves.

2. Purgar la manguera de aire

- ▶ Purgue todos los días la manguera de aire para limpiar la suciedad y humedad acumuladas antes de utilizar la perforadora.

3. Llène el lubricador de aceite

¡Nota! Compruebe que el casquillo de buje y el buje de la barrena de perforación estén siempre cubiertos de una película de aceite.

¡Nota! Utilice siempre un lubricante recomendado.

Lubricante	Recomendación
Aceite para herramientas de aire	Utilice un aceite mineral para herramientas neumáticas
	Temperatura ambiente °C Grado de viscosidad (ISO 3448)
	De -30 a 0 ISO VG 32-68
	De -10 a +20 ISO VG 68-100
	De +10 a +50 ISO VG 100-150

4. Calibre la presión correcta del aire y el agua

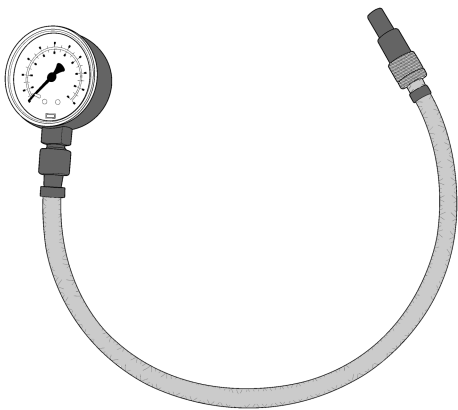
Utilice el manómetro n° 9090 0550 80 de Atlas Copco para comprobar la presión del aire y el agua cuando la perforadora está en funcionamiento.

Presión del aire

Compruebe que el compresor pueda suministrar a la herramienta el volumen de aire requerido entre 4 y 6 barías.

- ▶ **Alta presión** provoca un funcionamiento brusco y daños.
- ▶ **Baja presión** genera una velocidad de perforación lenta.

Presión del agua



El manómetro incluye una aguja que se inserta sobre la manguera para medir la presión de su interior.

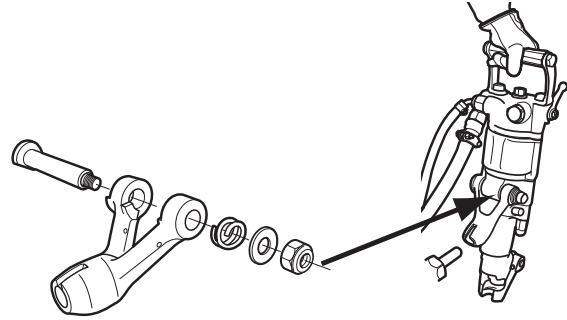
¡Importante! Compruebe que la presión del agua sea al menos 1 baría inferior a la presión del aire; si no es así, podría entrar agua en el mecanismo de impacto. Por ejemplo, si la presión del aire es de 6 bares, la presión del agua debe ser inferior a 5 bares para evitar que entre agua en el mecanismo de impacto.

Dispositivo acoplador

Se necesita un dispositivo acoplador para acoplar el empujador a la perforadora.

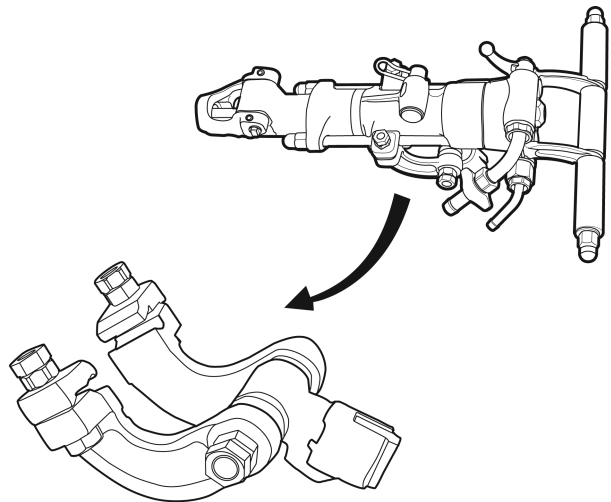
Perforadora BBD 94

El acoplamiento se monta en la parte intermedia de la perforadora.

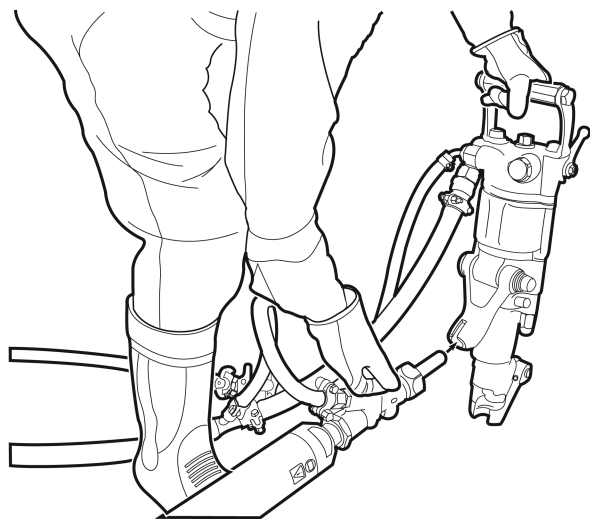


Perforadora RH 656 W

El acoplamiento se monta en la perforadora fijándolo en los pernos laterales.



Acoplar el empujador a la perforadora



El empujador deberá fijarse a la perforadora mediante el acoplamiento de la bayoneta.

Controles

Controles para ALF 72D, ALF 72D-1 y ALF 67/80D

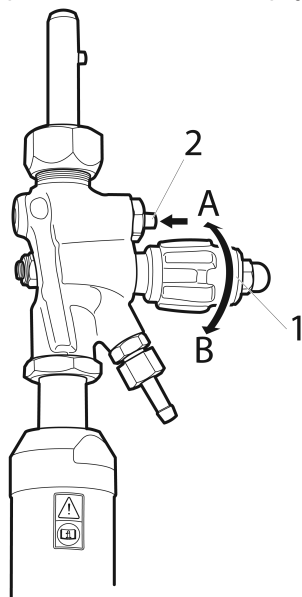
Mando de control de extensión del empujador (1)

Ajuste la fuerza de avance mediante el mando de control de empuje del siguiente modo:

Gire el botón hacia la izquierda (B) para incrementar la fuerza de alimentación.

Gire el mando hacia la derecha (A) para reducir la fuerza de empuje.

Cuando el mando de control de avance está en posición cerrada, el empujador se retrae.



Pasador de válvula (2)

Cuando el pasador de la válvula se empuja hacia el interior, la fuerza de empuje cesa de forma súbita y anula el ajuste del mando de control del empujador. Esta función se utiliza, por ejemplo, para ajustar la altura de la perforadora, cuando se instala el empujador o cuando hay una tendencia a obstruirse.

Cuando el pasador de válvula se presiona, la barra del pistón del empujador se retrae automáticamente.

Controles para BMK 62S

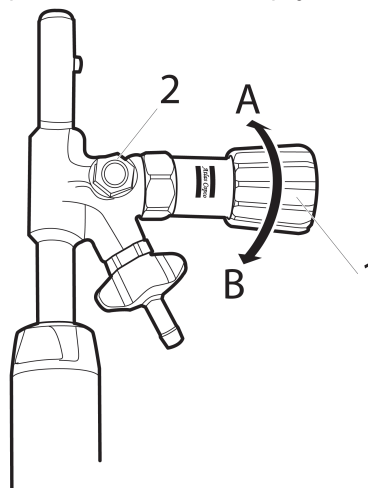
Mando de control de extensión del empujador (1)

Ajuste la fuerza de avance mediante el mando de control de empuje del siguiente modo:

Gire el botón hacia la izquierda (B) para incrementar la fuerza de alimentación.

Gire el mando hacia la derecha (A) para reducir la fuerza de empuje.

Cuando el mando de control de avance está en posición cerrada, el empujador se retrae.

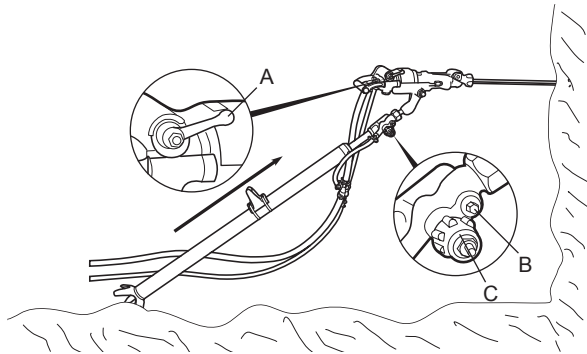


Pasador de válvula (2)

Cuando el pasador de la válvula se empuja hacia el interior, la fuerza de empuje cesa de forma súbita y anula el ajuste del mando de control del empujador. Esta función se utiliza, por ejemplo, para ajustar la altura de la perforadora, cuando se instala el empujador o cuando hay una tendencia a atrancarse.

Cómo perforar

Poner en marcha la perforadora



1. Abra la válvula principal para que salga el aire comprimido.
2. Ajuste el mando de control del empujador (C) para dar una fuerza de empuje adecuada para empezar la perforación.
3. Alinee la perforadora de forma que el acero para barrenas toque el punto del barreno deseado.
4. Desplace la palanca de control (A) un poco hacia delante para accionar el agua de barrido, la percusión y la rotación.
5. Empiece el orificio con fuerza de empuje reducida.
6. Desplace la palanca de control (A) totalmente hacia delante cuando el acero para barrenas se haya apoyado de manera firme en la roca.
7. Ajuste la fuerza de empuje mediante el mando de control (C) para lograr la máxima tasa de penetración.

Detener la perforadora

1. Tire de la palanca de control (A) hacia atrás para detener la percusión, la rotación y el agua de barrido.
2. Gire el mando de control de avance (C) a la posición de cierre.

Reposicionar el empujador

1. Apague la percusión y el barrido de la perforadora con la palanca de control (A).
2. Presione el pasador de válvula (B), en el que la barra del pistón se empujará automáticamente hacia atrás, hacia el interior del cilindro del empujador (manualmente en el caso del BMK 62S).
3. Reposicione el empujador
4. Suelte el pasador de válvula (B), en el que la barra del pistón vuelve a desplazarse hacia fuera.
5. Desplace la palanca de control (A) hacia delante, hasta la posición de funcionamiento.
6. Observe que no es necesario tocar el mando de control de avance (C) durante este procedimiento.

Cuando haya terminado de perforar

Coloque la perforadora sobre una roca, una tabla de madera o un objeto similar para evitar que entren fragmentos de la perforación y otros materiales extraños en el casquillo del buje.

Apague la presión del agua antes que la presión del aire. Ponga en marcha la perforadora durante unos segundos para eliminar el agua y la humedad después de apagar el suministro de agua.

Mantenimiento

El mantenimiento regular es un requisito previo para la seguridad de la máquina. Sustituya los componentes dañados o gastados con el debido tiempo. Para realizar una reparación más completa de la máquina, acuda al taller autorizado más cercano.

Compruebe si la máquina y las herramientas están dañadas o desgastadas a intervalos regulares. No utilice herramientas muy desgastadas o dañadas.

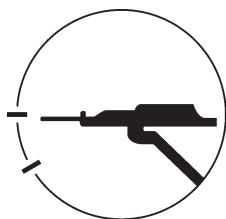
Al limpiar piezas mecánicas con un disolvente, asegúrese de cumplir con las regulaciones actuales relativas a la salud y la seguridad y de que haya la suficiente ventilación.

El mantenimiento diario, comprobación regular de las piezas desgastadas y las reparaciones a tiempo evitan averías y aumentan la vida útil de la máquina.

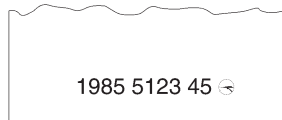
- ▶ Lubrique siempre bien la perforadora y el empujador antes de guardarlos.
- ▶ Guárdelos en un lugar limpio y seco.
- ▶ Asegúrese de que no entren materiales extraños en la máquina.
- ▶ Limpie siempre la perforadora y el empujador con una manguera y un trapo después de utilizarlos.

Diferencias entre las piezas originales y otras piezas

Al comprar una pieza, lo primero que debe hacer es comprobar que la pieza sea de Atlas Copco. La mayoría de piezas pueden identificarse.



PNA



Las piezas de la perforadora suelen estar marcadas con un número de designación y la marca de identidad de Atlas Copco, que es un círculo con una perforadora en su interior. En algunos casos, la pieza está marcada sólo con el círculo o el número de designación.

Las piezas de goma y plástico no suelen estar marcadas.

Las empresas que copian nuestras piezas suelen marcar las piezas más grandes y caras. Algunas piezas sólo incluyen el número de pieza, pero algunas también tienen una marca identificativa con las iniciales del nombre del fabricante. Los números de designación sobre piezas que no son originales suelen estar estampadas manualmente, lo que genera irregularidades. Los números de pieza estampados por Atlas Copco son regulares y cada cifra tiene el mismo tamaño. Además, la profundidad de las cifras y el espacio entre ellas en cada grupo son iguales.

Una vez cada turno (después de 8 horas de funcionamiento)

1. Compruebe la conexión de la perforadora al empujador.
2. Compruebe las mangueras, acoplamientos y controles por si presentan fugas o están dañados.
3. Compruebe que la perforadora y el empujador estén recibiendo suficiente lubricación. Vierta tanto lubricante como sea necesario.
4. Drene el separador de aguas.

Una vez a la semana (después de 40 horas de funcionamiento)

- Realice una comprobación básica de todas las funciones de la perforadora.

Desecho de la máquina y eliminación de los residuos

Las máquinas usadas y gastadas deben desecharse de tal manera que pueda reciclarse la mayor parte posible de material y que los efectos sobre el medio ambiente sean mínimos.

Localización y resolución de problemas

Guía básica para la localización y resolución de problemas

Problema	Causa	Solución
Fuerza de avance insuficiente	Baja presión de aire	Aumente la presión de aire a 6 bares.
	La válvula 3121 0726 80 se ha atascado o las empaquetaduras 0663 2124 00 están desgastadas (sólo los modelos ALF).	Desmonte la válvula y límpiela si es necesario. Sustituya las empaquetaduras si están desgastadas o deformadas.
	Empaquetadura del vástago desgastada o deformada.	Sustituya la empaquetadura

¹ Para ver los límites de desgaste y los pares de apriete, consulte la información del documento n° 9853 1086 01 del servicio técnico de las perforadoras Atlas Copco.

² Calibrador para el mango hexagonal de 22mm (7/8") del casquillo de buje n° 3091 0038 00 de Atlas Copco.

³ Utilice el manómetro n° 9090 0550 80 de Atlas Copco para comprobar la presión del agua y el aire.

Accesorios

Accesorio	Designación
Lubricador para BBC, BBD, RH:	
BLG 30, para aceite mineral	8202 5102 05
CLG 30, para aceite mineral y sintético	8202 5102 39
Separador de agua para BBC, BBD, RH	
VAM 5A, para circulación de aire hasta 120 l/seg (254 pcm)	8092 0110 82
Accesorios de línea de aire para 25 mm (1")	
Manguera de goma, 30 m	9030 2041 00
Acoplamiento de garra	9000 0313 00
Abrazadera de manguera de dos piezas	9000 0197 00
Manómetro para el aire comprimido y la presión del agua	
Calibrador	9090 0550 80
Conjunto de agujas extra	9090 0678 90
Tubo de aire comprimido de 25 mm (1") para la perforadora y la alimentación, acoplado con conexiones para:	
BBD 94W junto con ALF 72D, ALF 72D-1 y ALF 67/80D	9030 2068 00
Manguera de aire comprimido de 20 mm (3/4") para la perforadora y el empujador, acoplado con conexiones para:	
RH 656W junto con BMK 62S	9030 2067 00
Guantes antivibración	
Talla L	9800 0434 01
Talla XL	9800 0435 01

Datos técnicos

Tipo	Nº de pedido	Adecuado para perforadora	Alimentación longitud (mm)	Longitud retraído (mm)	Longitud de extracción (mm)	Peso (kg)	Pistón diámetro interior (mm)
<i>Telescópico simple</i>							
ALF 72D	8321 0201 80	BBD 94W	1300	1970	3270	19	70
ALF 72D-1	8321 0201 81	BBD 94W	1200	1830	3030	16	70
BMK 62S	8321 0102 02	RH 656W	1300	1815	3115	17	53
<i>Telescópico doble</i>							
ALF 67/80D	8321 0201 69	BBD 94W	1855	1595	3450	19	67/80

PORTUGUÊS

Índice

INSTRUÇÕES DE SEGURANÇA	69
Símbolos de segurança usados	69
Transporte perigoso	69
Perigos na operação da máquina e da ferramenta	69
Perigo de explosão e incêndio	70
Perigos relacionados à eletricidade e a objetos escondidos	70
Projéteis perigosos	71
Ruidos perigosos	71
Sílica e pós perigosos	71
Vibração perigosa	72
Modificações perigosas na máquina	72
Instruções adicionais de segurança	72
Equipamento de proteção	73
Serviço e manutenção	73
Ferramentas de trabalho	73
INSTRUÇÕES DE OPERAÇÃO	74
Desenho e Função	74
Avisos e decalques na máquina	74
Princípio de funcionamento de uma coluna extensível	75
Função	75
Preparo antes do início	75
Dispositivo de conexão	76
Martelo perfurador BBD 94	76
Martelo perfurador RH 656 W	76
Para conectar a coluna exten-sível ao martelo perfurador	77
Controles	77
Controles para a ALF 72D, a ALF 72D-1 e a ALF 67/80D	77
Controles para a BMK 62S	77
Perfuração	78
Partida do martelo perfurador	78
Parada do martelo perfurador	78
Recolocação da coluna extensível	78
Quando terminar a perfuração	78
Manutenção	78
Diferenças entre peças originais e peças não-originais	79
Uma vez por turno (após 8 horas de funcionamento)	79
Uma vez por semana (após 40 horas de funcionamento)	79
Descarte de fragmentos e resíduos	79
Solução de Problemas	80
Guia básico para solução de problemas	80
Acessórios	81
Dados Técnicos	82

INSTRUÇÕES DE SEGURANÇA

Para reduzir o risco de danos graves ou de morte, leia as instruções de segurança antes de começar a trabalhar com a máquina.

Mantenha estas instruções de segurança à disposição nos locais de trabalho, forneça cópias aos funcionários e certifique-se de que todos leiam as instruções de segurança antes de começar a trabalhar e/ou fazer manutenção na máquina.

Siga todas as instruções de segurança fornecidas neste manual.

Todas as instruções de segurança estão em conformidade com a respectiva legislação em vigor na União Européia.




Você também deve respeitar todas as outras diretrizes nacionais e regionais.

Nos países que não pertencem à União Européia, deverá ser aplicada a legislação local em vigor.

Todas as outras legislações deverão ser observadas.

Símbolos de segurança usados

As indicações **Perigo**, **Atenção** e **Cuidado** têm os significados a seguir:

 Perigo	Indica uma situação de perigo iminente que, caso não seja evitada, resultará em morte ou danos graves.
 Atenção	Indica uma situação de perigo potencial que, caso não seja evitada, pode resultar em morte ou danos graves.
 Cuidado	Indica uma situação que, caso não seja evitada, pode resultar em danos pessoais ou materiais.

Transporte perigoso

Cuidado

O martelo perfurador e a coluna extensível são pesados. Para evitar danos pessoais durante o transporte à área de operação

- ▶ Use um reboque ou peça auxílio a um colega durante o transporte.

Perigos na operação da máquina e da ferramenta

Atenção

Durante a operação, a máquina pode movimentar-se de forma repentina ou inesperada e isso pode causar danos. Além disso, perder o equilíbrio ou escorregar poderá causar danos. Para reduzir os riscos:

- ▶ Mantenha sempre uma posição estável, com os pés separados e alinhados aos seus ombros de forma que o peso de seu corpo fique bem distribuído.
- ▶ Permaneça firme e sempre segure a máquina com ambas as mãos.
- ▶ Não coloque a máquina em funcionamento quando esta estiver pousada no chão.
- ▶ Certifique-se de que a alça esteja limpa, sem graxa e óleo.

Atenção

O funcionamento acidental da máquina pode causar danos.

- ▶ Deixe suas mãos distantes do dispositivo de partida e de parada até que esteja pronto para iniciar o trabalho.

Atenção

A ferramenta de trabalho é exposta a grandes tensões durante o uso da máquina e, após um determinado período de utilização, poderá partir-se devido a fadiga. Se a ferramenta quebrar, podem ocorrer movimentos inesperados ou bruscos. Esses movimentos inesperados ou bruscos podem causar danos graves.

- ▶ Mantenha sempre uma posição estável, com os pés separados e alinhados aos seus ombros de forma que o peso de seu corpo fique bem distribuído.
- ▶ Regularmente, verifique se há desgaste na ferramenta de trabalho e se há sinais de danos ou rachaduras visíveis.

Atenção

O uso de um tamanho incorreto da haste da ferramenta de trabalho pode resultar na perda da ferramenta de trabalho ou ela poderá deslizar durante a operação. O deslizamento ou a perda da ferramenta de trabalho pode causar danos pessoais.

- ▶ Antes de inserir a ferramenta de trabalho, certifique-se de que o tamanho da haste esteja correto para que ela possa ser usada na máquina.
- ▶ Ferramentas de trabalho sem colar não podem ser usadas.

⚠ Atenção

Se o retentor da ferramenta na máquina não estiver na posição travada, a ferramenta pode ser ejetada com muita força, o que pode causar danos graves.

- ▶ Após montar e travar a ferramenta de trabalho, verifique o funcionamento da trava forçando-a no sentido contrário.
- ▶ Certifique-se de que a ferramenta de trabalho esteja totalmente inserida e que o retentor da ferramenta esteja na posição travada antes de ligar a máquina.
- ▶ Nunca aponte a ferramenta de trabalho para você ou para qualquer outra pessoa.

⚠ Atenção

Trocar a ferramenta de trabalho enquanto a máquina estiver em funcionamento pode causar danos graves.

- ▶ Sempre desligue a máquina antes de trocar a ferramenta.
- ▶ Nunca pegue ou toque no aço de uma broca em movimento.

⚠ Atenção

Se uma mangueira de ar comprimido se soltar, ela pode chicotear e causar danos pessoais ou morte. Para reduzir os riscos:

- ▶ Verifique se a mangueira de ar comprimido e as conexões não estão danificadas.
- ▶ Verifique se todas as conexões de ar comprimido estão bem encaixadas.
- ▶ Nunca tente desconectar uma mangueira de ar comprimido pressurizada. Primeiro desligue o fornecimento de ar comprimido no compressor e, em seguida, deixe a máquina sangrar ativando o dispositivo de partida e de parada.

⚠ Atenção

Se o aço da broca ficar presa durante a operação, a máquina toda começará a girar se não for segurada com firmeza. Essa rotação inesperada de toda a máquina pode causar danos graves.

- ▶ Permaneça firme e sempre segure a máquina com ambas as mãos.
- ▶ Certifique-se de que a alça esteja limpa, sem graxa e óleo.
- ▶ Nunca perfure em um orifício antigo.

⚠ Atenção

Há o risco de que objetos sejam arrastados ou capturados pelo aço de uma broca em movimento. Isso pode causar danos graves.

- ▶ Nunca pegue ou toque no aço de uma broca em movimento.

- ▶ Evite usar roupas que podem ficar presas. Se tiver cabelos compridos, prenda-os com uma rede para cabelos.

Perigo de explosão e incêndio**⚠ Perigo**

Se a máquina entrar em contato com objetos explosivos, poderá ocorrer uma explosão. As explosões podem causar danos graves ou morte.

Para reduzir o risco de explosão:

- ▶ Nunca use o equipamento para fazer perfurações perto de explosivos, incluindo dinamite e outros explosivos para rochas.
- ▶ Certifique-se de que não haja explosivos nas rochas.
- ▶ Nunca perfure em um orifício antigo.

⚠ Atenção

A perfuração e o trabalho com determinados materiais podem causar faíscas que podem inflamar gases explosivos e causar explosões. As explosões podem causar danos graves ou morte.

Para reduzir o risco de explosão:

- ▶ Nunca opere a máquina em um ambiente explosivo.
- ▶ Não utilize a máquina próximo a materiais inflamáveis, vapores ou poeira.
- ▶ Assegure-se de que não haja fontes de gás não detectadas.

Perigos relacionados à eletricidade e a objetos escondidos**⚠ Perigo**

A máquina não tem isolamento elétrico. Se ela entrar em contato com alguma eletricidade, poderá resultar em danos graves ou morte.

- ▶ Para reduzir o risco de danos ou morte, nunca opere a máquina perto de fiação elétrica ou de outra fonte de eletricidade.
- ▶ Certifique-se de que não haja uma fiação elétrica escondida ou outras fontes de eletricidade.

⚠ Atenção

Durante a perfuração, fios e tubos escondidos constituem um perigo que pode resultar em danos graves.

- ▶ Antes de começar a perfuração, verifique a composição do material em que o trabalho vai ser realizado.
- ▶ Fique atento a cabos e tubos escondidos (de eletricidade, telefone, água, gás e esgoto, por exemplo).
- ▶ Se, aparentemente, a ferramenta atingir um objeto escondido, desligue a máquina imediatamente.
- ▶ Certifique-se de que não haja mais perigo antes de continuar.

Projéteis perigosos

⚠ Atenção

Durante a perfuração, estilhaços ou outras partículas do material perfurado podem se tornar projéteis e causar danos pessoais ao atingir o operador ou outras pessoas.

- ▶ Use equipamentos de proteção pessoal aprovados, inclusive óculos de segurança mais resistentes a impacto com proteção lateral para reduzir o risco de ferimento com um projétil.

⚠ Cuidado

Durante a limpeza, partículas e água suja podem ser expelidas do orifício da broca e causar danos pessoais.

- ▶ Afaste-se e proteja os olhos antes de limpar a perfuração com ar.
- ▶ Utilize sempre proteção ocular resistente a impactos com proteção lateral.
- ▶ Certifique-se de que nenhum colega de trabalho esteja próximo à máquina no momento da limpeza.

Ruídos perigosos

⚠ Atenção

Níveis de som altos podem causar perda permanente da audição.

- ▶ Use protetores de ouvido de acordo com as regulamentações de saúde e segurança.

Sílica e pós perigosos

⚠ Atenção

A exposição à sílica cristalina (algumas vezes chamada “pó de sílica”) proveniente da perfuração, ou de outras atividades envolvendo rochas, concreto, asfalto ou outros materiais, pode causar silicose (uma doença grave no pulmão) e enfermidades relacionadas à silicose, além de câncer ou morte. A sílica é um dos principais componentes de rocha, areia e minérios.

Para reduzir a exposição à sílica:

- ▶ Use controles de maquinário adequados para reduzir a quantidade de sílica no ar e a formação de pó em equipamentos e superfícies. Os exemplos desses controles incluem: ventilação de exaustão e sistemas de coleta de pó, sprays de água e perfuração úmida. Certifique-se de que os controles estejam instalados adequadamente e que recebam manutenção.
- ▶ Utilize corretamente os respiradores de partículas aprovados (e faça a manutenção deles) quando os controles de maquinário não forem suficientes para reduzir a exposição a um nível abaixo do permitido.
- ▶ Participe do monitoramento de ar, faça exames médicos e participe de programas de treinamento oferecidos aos funcionários e quando exigidos por lei.
- ▶ Use roupas de proteção laváveis ou descartáveis no local de trabalho; tome banho e vista roupas limpas antes de deixar o local de trabalho para reduzir a sua exposição à sílica e a de outras pessoas, carros, casas e outras áreas também.
- ▶ Não coma, beba ou use produtos de tabaco em áreas em que haja pó contendo sílica cristalina.
- ▶ Lave as mãos e o rosto antes de comer, beber ou usar produtos de tabaco fora da área de exposição.
- ▶ Trabalhe em conjunto com seu empregador para reduzir a exposição à sílica em seu local de trabalho.

⚠ Atenção

Alguns tipos de pó, fumaça ou outros materiais que permanecem no ar e são gerados durante o uso da máquina podem conter elementos químicos conhecidos no estado da Califórnia por causarem câncer e defeitos congênitos ou outros danos reprodutivos. Alguns exemplos desses produtos químicos são:

- ▶ Sílica cristalina e cimento e outros produtos de alvenaria.
- ▶ Arsênico e cromo de borracha quimicamente tratada.
- ▶ Chumbo de tintas à base de chumbo.

Para reduzir a exposição a esses produtos químicos, trabalhe em uma área bem ventilada e com equipamento de segurança aprovado, como máscaras de proteção contra pó elaboradas especialmente para filtrar partículas microscópicas.

Vibração perigosa

⚠ Atenção

O uso normal e correto da máquina expõe o operador a vibração. A exposição regular e freqüente do operador a vibração pode causar ou agravar danos ou distúrbios nos dedos, mãos, punhos, braços, ombros e/ou outras partes do corpo, incluindo danos debilitantes ou permanentes ou distúrbios que podem se desenvolver gradualmente por semanas, meses ou anos. Esses danos ou distúrbios podem incluir lesões no sistema circulatório, no sistema nervoso, nas juntas e, possivelmente, em outras estruturas corporais.

Se ocorrerem sintomas como dormência, formigamento, dor, distúrbios motores, fraqueza nas mãos, clareamento da pele ou outros a qualquer momento, ao usar a máquina ou mesmo quando não estiver usando-a, interrompa suas atividades com a máquina e procure atendimento médico. O uso contínuo da máquina após a ocorrência de qualquer um dos sintomas mencionados pode aumentar o risco de que se tornem mais graves e/ou permanentes.

As recomendações a seguir podem ajudar o operador a reduzir a exposição a vibração:

- ▶ Deixe que a ferramenta faça o trabalho. Faça o mínimo de força com as mãos, o suficiente para controlar e operar a máquina corretamente e com segurança.
- ▶ Quando o mecanismo de percussão for ativado, o único contato do seu corpo com a máquina deve ser o de suas mãos com a alça. Evite qualquer outro tipo de contato, como por exemplo apoiar qualquer parte do corpo na máquina ou inclinar-se sobre ela na tentativa de aumentar a força de operação. É importante

também não manter o acionador engatado enquanto estiver retirando a ferramenta da superfície trabalhada.

- ▶ Certifique-se de que a ferramenta de trabalho tenha o tamanho apropriado, esteja em bom estado de conservação e não apresente desgaste. As ferramentas de trabalho malconservadas, desgastadas ou fora do tamanho apropriado, levam a um tempo maior para completar a tarefa (e um período maior de exposição a vibração) e podem resultar em um alto nível de exposição a vibração ou contribuir para que isso ocorra.
- ▶ Interrompa imediatamente o trabalho se a máquina começar a vibrar com força repentinamente. Antes de reiniciar o trabalho, localize e remova a causa do aumento da vibração.
- ▶ Siga a pressão do ar recomendada ao operar a máquina. A pressão do ar mais alta ou mais baixa pode resultar, potencialmente, em um alto nível de vibração.
- ▶ Não pegue, segure ou toque na ferramenta de trabalho inserida ao usar a máquina.
- ▶ Participe da avaliação ou monitoramento da saúde, dos exames médicos e dos programas de treinamento oferecidos aos funcionários e quando exigidos por lei.

Consulte a "*Declaração de Ruído e Vibração*" da máquina, localizada no final destas Instruções de segurança e operação.

Modificações perigosas na máquina

⚠ Atenção

Qualquer tipo de modificação nas máquinas sem a aprovação da Atlas Copco pode resultar em danos graves a si mesmo e a outras pessoas.

- ▶ **A máquina não deve ser modificada sem a permissão da Atlas Copco.**
- ▶ **Use somente peças e acessórios originais aprovados pela Atlas Copco.**

Instruções adicionais de segurança

- ▶ As máquinas e acessórios só devem ser usados para a finalidade proposta.
- ▶ Somente pessoas qualificadas e treinadas podem operar ou fazer manutenção na máquina.

- ▶ Saiba como desligar a máquina em caso de emergência.
- ▶ A pressão do ar máxima permitida para a máquina não deve ser excedida.
- ▶ Solte imediatamente o dispositivo de partida e parada no caso de interrupção da fonte de alimentação.
- ▶ Sempre inspecione o equipamento antes da utilização. Não utilize o equipamento se você suspeitar que ele está danificado.
- ▶ Aja sempre com bom senso.
- ▶ Preste atenção e veja o que está fazendo.
- ▶ Não use a máquina quando estiver cansado ou sob influência de drogas, álcool ou qualquer outra coisa que possa afetar sua visão, suas reações ou sua capacidade de julgar e analisar a situação.
- ▶ Participe dos cursos de segurança e de treinamento.
- ▶ Nunca golpee ou faça mau uso de qualquer tipo de equipamento.
- ▶ Mantenha a máquina e as ferramentas em local seguro, trancadas e fora do alcance de crianças.
- ▶ Certifique-se de que todos os equipamentos conectados e relacionados passem por manutenção adequada.
- ▶ Em toda máquina há avisos e etiquetas importantes para sua segurança e para o cuidado com a máquina. Certifique-se de que os avisos estejam sempre legíveis. Novos avisos e etiquetas podem ser solicitados na lista de peças sobressalentes.
- ▶ Certifique-se de que nenhum indivíduo não autorizado tenha acesso à zona de trabalho.
- ▶ Mantenha o local de trabalho limpo e livre de objetos estranhos.
- ▶ Nunca aponte uma mangueira de ar comprimido para você ou para qualquer outra pessoa. Para evitar o risco de sofrer alguma lesão, nunca use ar comprimido para remover pó, sujeira, etc. de suas roupas.

Equipamento de proteção

Sempre use equipamentos de proteção aprovados. Os operadores e todas as outras pessoas na área de trabalho devem usar equipamentos de proteção que, no mínimo, incluam:

- ▶ Capacete de proteção
- ▶ Proteção auditiva

- ▶ Proteção ocular resistente a impactos com proteção lateral
- ▶ Proteção respiratória, quando apropriada
- ▶ Luvas de proteção
- ▶ Botas de proteção

Serviço e manutenção

A manutenção regular é um pré-requisito para manter a segurança e eficiência da máquina. Siga as instruções de operação com cuidado.

Antes de realizar qualquer tipo de manutenção ou trocar a ferramenta de trabalho em máquinas pneumáticas, sempre desligue o fornecimento de ar e deixe a máquina sangrar pressionando o dispositivo de partida e parada. Em seguida, desconecte a mangueira de ar da máquina.

- ▶ Utilize apenas peças autorizadas. Quaisquer danos ou mau funcionamento causados pela utilização de peças não autorizadas não são abrangidos pela Garantia ou Fiabilidade do Produto.
- ▶ Troque as peças danificadas imediatamente.
- ▶ Substitua os componentes danificados e desgastados no momento adequado.
- ▶ Para obter outros tipos de serviços, entre em contato com a oficina autorizada mais próxima.
- ▶ Ao limpar as peças mecânicas com solvente, assegure-se de que tenha seguido as regulamentações atuais de saúde e segurança e que haja ventilação satisfatória.

Ferramentas de trabalho

- ▶ Mantenha as ferramentas limpas e em boas condições de uso. Inspeção as ferramentas de trabalho regularmente e certifique-se de que elas estejam afiadas e sem sinais de desgaste.

Observação! Pode ocorrer a destruição da máquina se forem utilizadas ferramentas de trabalho incorretas.

INSTRUÇÕES DE OPERAÇÃO

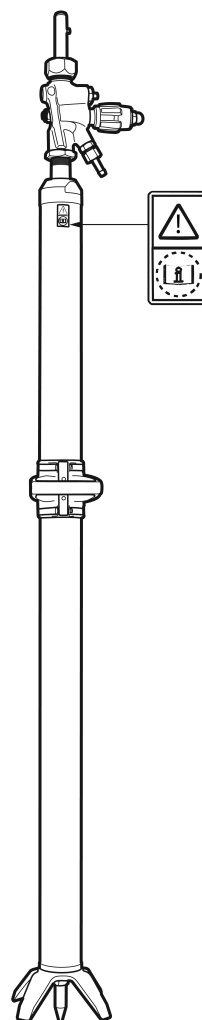
Desenho e Função

As colunas extensíveis da Atlas Copco do tipo ALF 72D, ALF 72D-1, BMK 62S e ALF 67/80D são usadas com martelos perfuradores leves do tipo BBD e RH. As ALF 72D, ALF 72D-1 e ALF 67/80D são usadas com o BBD 94W e possuem ação dupla com retorno automático. A BMK 62S é usada com o RH 656W e precisa ser retraída manualmente. A ALF 72D, a ALF 72D-1, a BMK 62S e a ALF 67/80D são equipadas com um cilindro de um estágio. A ALF 67/80D é equi-pada com um cilindro de dois estágios. Os cilindros são feitos de alumínio com exceção da BMK 62S, cujo cilindro é de aço. As colunas extensíveis são conectadas ao martelo perfurador por um dispositivo especial de conexão. A pressão de ar recomendada é de 6 bar.

O suporte da coluna extensível serve para ajudar o operador a levantar e a avançar o martelo perfurador durante as operações de perfuração.

Avisos e decalques na máquina

Em toda máquina há avisos e decalques importantes para sua segurança e para o cuidado com a máquina. Novos decalques podem ser solicitados na lista de peças sobressalentes.



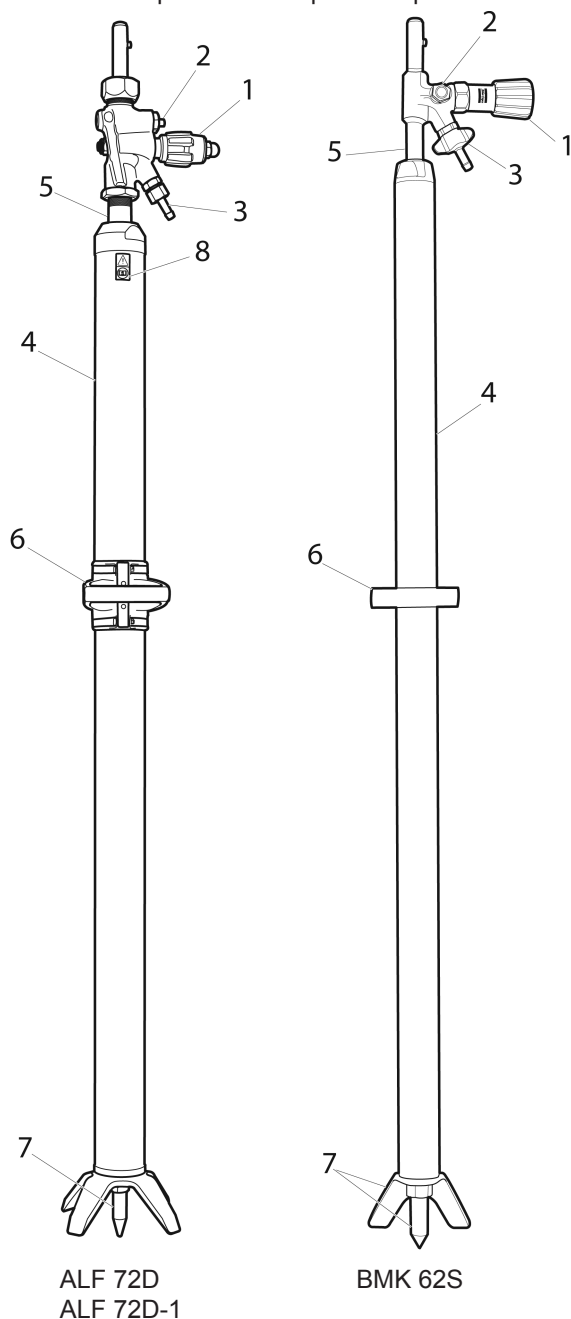
Os avisos mostram informações importantes:

O símbolo de atenção junto com o símbolo do livro significa que as Instruções de segurança e operação devem ser lidas antes de utilizar a máquina.

Princípio de funcionamento de uma coluna extensível

Função

O movimento de avanço da coluna extensível é feito pelo ar comprimido, que é direcionado para o lado inferior do pistão e empurra-o para fora do cilindro. Para o retorno automático (com exceção da BMK 62S) da haste do pistão para dentro do cilindro, o ar comprimido é direcionado para o lado superior do pistão.



ALF 72D
ALF 72D-1

BMK 62S

1. Botão de controle de avanço
2. Pino da válvula
3. Bico da mangueira (12,5 mm)
4. Cilindro de avanço
5. Haste do pistão
6. Cabo
7. Cavilha com suporte
8. Etiqueta de atenção

Preparo antes do início

1. Verifique o equipamento de perfuração

- ▶ Verifique se todo o equipamento de perfuração está em boas condições de funcionamento.
- ▶ Certifique-se de que a porta de entrada de ar não esteja obstruída.
- ▶ Certifique-se de que as uniões estejam bem apertadas e à prova de vazamentos.

⚠ Atenção

Verifique sempre se há mangueiras e uniões danificadas ou frouxas antes da operação. Enrolar as mangueiras pode causar danos graves.

2. Ventile através da mangueira de ar

- ▶ Todos os dias, antes de usar o martelo perfurador, ventile a mangueira de ar para eliminar a sujeira e a umidade acumulada.

3. Encha o canal lubrificante com óleo

Observação! Certifique-se de que a bucha e a haste do aço de perfuração sempre estejam revestidas por uma camada de óleo.

Observação! Sempre use um lubrificante recomendado.

Lubrificante	Recomendações
Óleo para ferramenta a ar comprimido	Use um óleo com base mineral
	Temperatura ambiente °C
	Grau de viscosidade (ISO 3448)
	-30 a 0
	ISO VG 32-68
	-10 a +20
	ISO VG 68-100
	+10 a +50
	ISO VG 100-150

4. Calibre a pressão correta de ar e de água

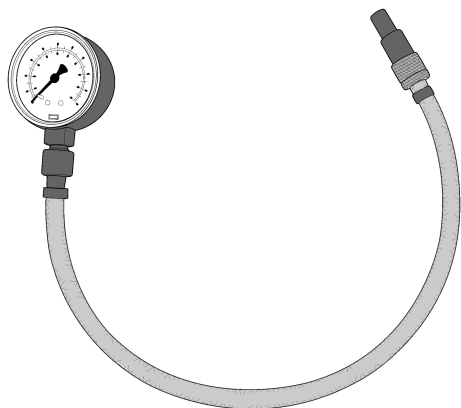
Use o medidor de pressão **Atlas Copco n° 9090 0550 80** para verificar a pressão de água e de ar quando o martelo perfurador estiver em funcionamento.

Pressão do ar

Assegure-se de que o compressor possa fornecer o volume de ar exigido na ferramenta com 4 a 6 bar de pressão.

- ▶ **Alta pressão** causa operação irregular e danos.
- ▶ **Baixa pressão** resulta em uma velocidade lenta na perfuração

Pressão da água



O medidor de pressão é equipado com uma agulha que é pressionada na mangueira para medir a pressão interna.

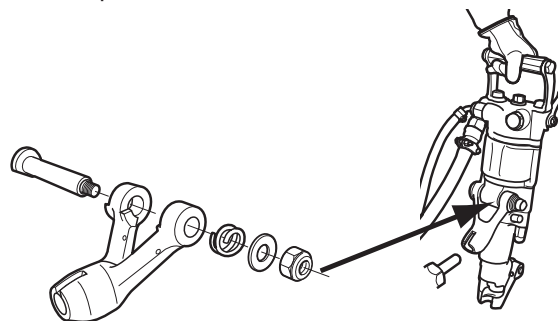
Observação! Certifique-se de que a pressão da água seja pelo menos 1 bar a menos que a pressão do ar, caso contrário, a água poderá entrar no mecanismo de impacto. Por exemplo, se a pressão do ar for 6 bar, a pressão da água deve ser inferior a 5 bar para evitar que a água entre no mecanismo de impacto.

Dispositivo de conexão

É necessário usar um dispositivo de conexão para acoplar a coluna extensível ao martelo perfurador.

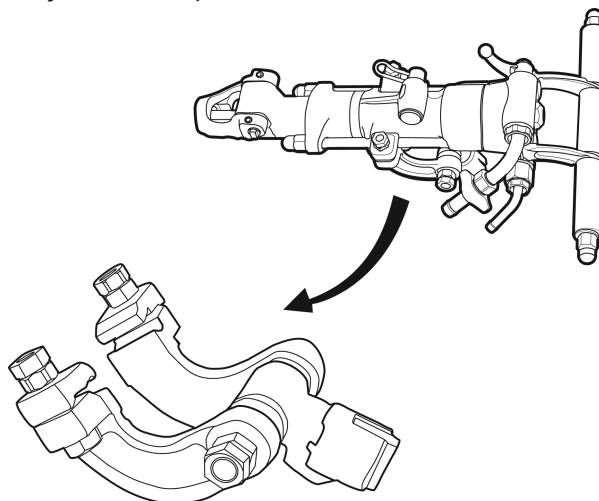
Martelo perfurador BBD 94

A conexão é encaixada na parte intermediária do martelo perfurador.

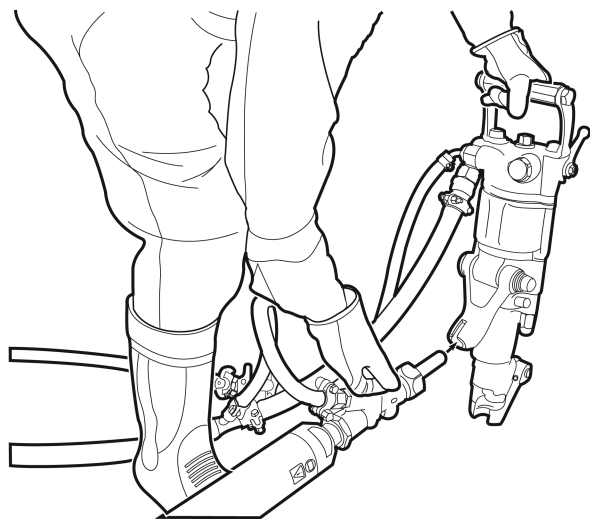


Martelo perfurador RH 656 W

A conexão é encaixada no martelo perfurador com braçadeiras nos parafusos laterais.



Para conectar a coluna extensível ao martelo perfurador



A coluna extensível deve ser fixada ao martelo perfurador usando a união da baioneta.

Controles

Controles para a ALF 72D, a ALF 72D-1 e a ALF 67/80D

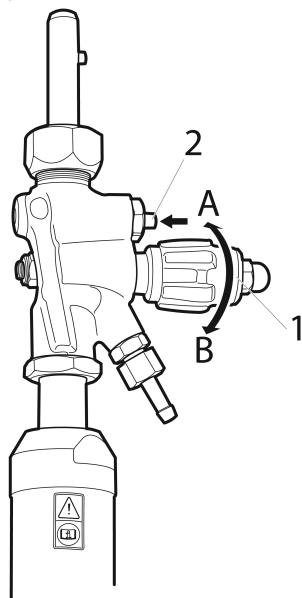
Botão de controle de Avanço da Coluna Extensível (1)

Ajuste a força de avanço usando o botão de controle de avanço da seguinte maneira:

Gire o botão em sentido anti-horário (B) para aumentar a força de avanço.

Gire o botão em sentido horário (A) para diminuir a força de avanço.

Quando o botão de controle de avanço estiver na posição fechada, a coluna extensível será pressurizada.



Pino da válvula (2)

Quando o pino da válvula for empurrado, a força de avanço será interrompida abruptamente, anulando, assim, o ajuste no botão de controle de avanço. O recurso é usado, por exemplo, para ajustar a altura do martelo perfurador ao acoplar a coluna extensível ou quando há tendência a um travamento.

Quando o pino da válvula for pressionado, a haste do pistão na coluna extensível será retraída automaticamente.

Controles para a BMK 62S

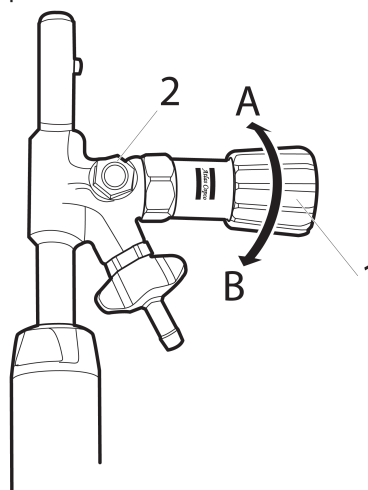
Botão de controle de Avanço da Coluna Extensível (1)

Ajuste a força de avanço usando o botão de controle de avanço da seguinte maneira:

Gire o botão em sentido anti-horário (B) para aumentar a força de avanço.

Gire o botão em sentido horário (A) para diminuir a força de avanço.

Quando o botão de controle de avanço estiver na posição fechada, a coluna extensível será pressurizada.

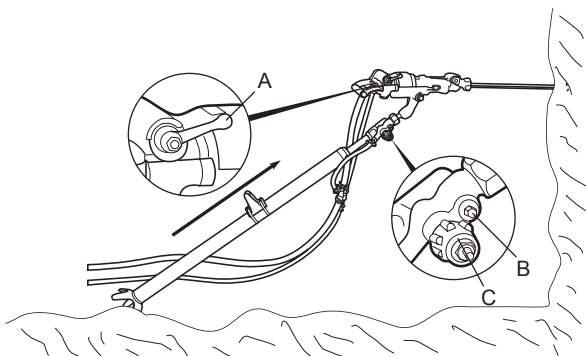


Pino da válvula (2)

Quando o pino da válvula for empurrado, a força de avanço será interrompida abruptamente, anulando, assim, o ajuste no botão de controle de avanço. O recurso é usado, por exemplo, para ajustar a altura do martelo perfurador ao acoplar a coluna extensível ou quando há tendência a um travamento.

Perfuração

Partida do martelo perfurador



1. Abra a válvula principal de ar comprimido.
2. Ajuste o botão de controle de avanço (C) de forma que ele possa fornecer uma força de avanço adequada para iniciar o emboque do furo.
3. Alinhe o martelo perfurador de modo que o aço de perfuração encoste no ponto do emboque desejado.
4. Mova um pouco a alavanca de aceleração (A) para a frente. Isso iniciará o fluxo de água, a percussão e a rotação.
5. Emboque o furo com força reduzida de avanço.
6. Mova a alavanca de aceleração (A) totalmente para a frente, assim que o aço de perfuração ficar sobre uma base segura na rocha.
7. Ajuste a força de avanço usando o botão de controle (C) de modo que a taxa máxima de penetração seja obtida.

Parada do martelo perfurador

1. Puxe a alavanca de aceleração (A) para trás. Isso parará a percussão, a rotação e o fluxo de água.
2. Gire o botão de controle de avanço (C) para a posição fechada.

Recolocação da coluna extensível

1. Desative a percussão e o fluxo do martelo perfurador com a alavanca de aceleração (A).
2. Pressione o pino da válvula (B), onde a haste do pistão é puxada automaticamente para trás, para o cilindro da coluna extensível (manualmente na BMK 62S).
3. Recolocação da coluna extensível.
4. Solte o pino da válvula (B), onde a haste do pistão movimentar-se para fora novamente.
5. Mova a alavanca do acelerador (A) para frente em direção à posição de trabalho.
6. Observe que o botão de controle de avanço (C) não necessita ser tocado durante este procedimento.

Quando terminar a perfuração

Coloque o martelo perfurador sobre uma pedra, suporte de madeira ou objeto similar para evitar que os detritos da furação e outros materiais estranhos entrem na bucha.

Desligue a pressão da água antes da pressão do ar. Faça o martelo perfurador funcionar por alguns segundos para limpar a água e a umidade depois que a água tiver sido desligada.

Manutenção

A manutenção regular é um pré-requisito para a segurança da máquina. Substitua os componentes danificados e desgastados no momento adequado. Para obter outros tipos de serviços, entre em contato com a oficina autorizada mais próxima.

Verifique regularmente se há desgaste e danos na máquina e nas ferramentas. Não use ferramentas muito desgastadas ou danificadas.

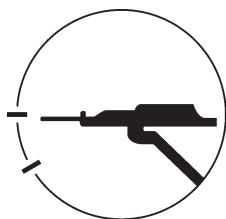
Ao limpar as peças mecânicas com solvente, assegure-se de que tenha seguido as regulamentações atuais de saúde e segurança e garanta que haja ventilação suficiente.

A manutenção diária, a verificação regular do desgaste das peças e a realização de reparos no tempo certo evita enguiços e aumenta a vida útil da máquina.

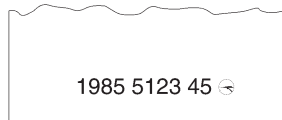
- ▶ Sempre coloque óleo no reservatório do martelo perfurador e da coluna extensível antes de guardá-los.
- ▶ Guarde-os em local limpo e seco.
- ▶ Certifique-se de que não haja materiais estranhos na máquina.
- ▶ Sempre abaixe a mangueira e limpe o martelo perfurador e a coluna extensível após o uso.

Diferenças entre peças originais e peças não-originais

Ao comprar uma peça, a primeira coisa a fazer é verificar se a peça é da Atlas Copco. A maioria das peças pode ser identificada.



PNA



As peças do martelo perfurador normalmente são marcadas com o número de peça e com a marca de identidade da Atlas Copco que é um círculo com um martelo perfurador dentro dele. Em alguns casos, a peça é marcada apenas com o círculo ou apenas com o número de peça.

Peças plásticas e emborrachadas normalmente não são marcadas.

Os concorrentes que copiam nossas peças, geralmente marcam as peças maiores e mais caras. Algumas peças apresentam apenas o número de peça, mas algumas têm também uma marca de identidade com as iniciais do nome do fabricante. Os números de peças não-originais são, na maioria, estampados à mão, o que pode resultar em irregularidades. Os números de peças estampados pela Atlas Copco são regulares e as figuras individuais são do mesmo tamanho. Além disso, a profundidade das figuras e o espaçamento entre as figuras de cada grupo são os mesmos.

Uma vez por turno (após 8 horas de funcionamento)

1. Verifique a conexão do martelo perfurador com a coluna extensível.
2. Verifique se há vazamento ou danos nas mangueiras, nas uniões e nos controles.
3. Certifique-se de que o martelo perfurador e a coluna extensível estejam recebendo lubrificação suficiente. Encha o canal lubrificante de acordo com a necessidade.
4. Drene o separador de água.

Uma vez por semana (após 40 horas de funcionamento)

- Faça uma verificação básica de todas as funções do equipamento de perfuração.

Descarte de fragmentos e resíduos

Máquinas usadas e desgastadas devem ser descartadas de forma que a maioria do material possa ser reciclada e o impacto ambiental seja mínimo.

Solução de Problemas

Guia básico para solução de problemas

Problema	Causa	Solução
Força de avanço insuficiente	Baixa pressão de ar	Aumente a pressão de ar para 6 bar.
	A válvula 3121 0726 80 está travada ou as gaxetas 0663 2124 00 estão gastas (somente nos modelos ALF).	Desmonte a válvula e limpe-a, se for necessário. Substitua as gaxetas, se estiverem gastas ou deformadas.
	Gaxeta da haste do pistão desgastada ou deformada	Substitua a gaxeta

¹ Com relação a limites de desgaste e torques de aperto, consulte as informações do serviço de martelos perfuradores leves, documento nº 9853 1086 01 da Atlas Copco.

² A medida da haste hexagonal da bucha é de 22mm (7/8"). Atlas Copco nº 3091 0038 00.

³ Use o medidor de pressão Atlas Copco nº 9090 0550 80 para testar a pressão da água e do ar.

Acessórios

Acessório	Nº do pedido
Lubrificante para BBC, BBD, RH:	
BLG 30, para óleo mineral	8202 5102 05
CLG 30, para óleo mineral e sintético	8202 5102 39
Separador de água para BBC, BBD, RH:	
VAM 5A, para fluxo de ar de até 120 l/s (254 cfm)	8092 0110 82
Acessórios da linha de ar para 25 mm (1")	
Mangueira de borracha, 30 m	9030 2041 00
Engate rápido	9000 0313 00
Abraçadeira para mangueira	9000 0197 00
Medidor de pressão para ar comprimido e pressão da água	
Medidor	9090 0550 80
Conjunto de agulhas extras	9090 0678 90
Mangueiras de ar comprimido de 25 mm (1") para martelo perfurador e avanço, ajustadas com as seguintes uniões:	
BBD 94W com ALF 72D, ALF 72D-1 e ALF 67/80D	9030 2068 00
Mangueiras de ar comprimido de 20 mm (3/4") para martelo perfurador e avanço, ajustadas com as seguintes uniões:	
RH 656W com BMK 62S	9030 2067 00
Luvas de vibração	
Tamanho G	9800 0434 01
Tamanho XG	9800 0435 01

Dados Técnicos

Tipo	Nº do pedido	Serve para martelo perfurador	Avanço comprimento (mm)	Comprimento retraída (mm)	Comprimento extraída (mm)	Peso (kg)	Pistão diâmetro (mm)
<i>Telescópio único</i>							
ALF 72D	8321 0201 80	BBD 94W	1300	1970	3270	19	70
ALF 72D-1	8321 0201 81	BBD 94W	1200	1830	3030	16	70
BMK 62S	8321 0102 02	RH 656W	1300	1815	3115	17	53
<i>Telescópio duplo</i>							
ALF 67/80D	8321 0201 69	BBD 94W	1855	1595	3450	19	67/80

ITALIANO

Indice

ISTRUZIONI PER LA SICUREZZA	85
Simboli di sicurezza utilizzati	85
Pericolo di trasporto	85
Rischi connessi all'uso della macchina e dell'utensile	85
Pericolo di esplosione e incendio	86
Pericoli correlati ad energia elettrica/oggetti nascosti	87
Rischio di proiezione di oggetti	87
Rischio correlato al rumore	87
Rischio correlato con silice/polveri	87
Rischio correlato alle vibrazioni	88
Rischio correlato a modifiche alla macchina	88
Istruzioni aggiuntive per la sicurezza	89
Dispositivi di protezione	89
Manutenzione	89
Utensili di lavoro	89
ISTRUZIONI PER L'USO	90
Modello e funzioni	90
Segnali ed etichette adesive	90
Principio operativo di un servosostegno	91
Funzione	91
Preparativi prima dell'accensione	91
Dispositivo di collegamento	92
Perforatrice BBD 94	92
Perforatrice RH 656 W	92
Collegamento del servo-sostegno alla perforatrice	93
Controlli	93
Controlli per i modelli ALF 72D, ALF 72D-1 e ALF 67/80D	93
Controlli per il modello BMK 62S	93
Perforazione	94
Avvio della perforatrice	94
Arresto della perforatrice	94
Riposizionamento del servosostegno	94
Al termine della perforazione	94
Manutenzione	94
Differenza tra parti originali e parti non originali	95
Una volta ogni turno (dopo 8 ore di funzionamento)	95
Una volta alla settimana (dopo 40 ore di funzionamento)	95
Rottamazione e smaltimento parti usurate	95
Ricerca dei guasti	96
Guida di base alla ricerca dei guasti	96
Accessori	97
Caratteristiche tecniche	98

ISTRUZIONI PER LA SICUREZZA

Per ridurre il rischio di lesioni gravi o morte dell'operatore o di altre persone, leggere queste istruzioni per la sicurezza prima di accingersi a utilizzare la macchina.

Affiggere queste istruzioni per la sicurezza nelle sedi di lavoro, fornirne copia agli addetti e assicurarsi che tutti le leggano prima di procedere all'uso o alla manutenzione della macchina.

Seguire tutte le istruzioni di sicurezza di questo manuale.

Tutte le istruzioni di sicurezza sono conformi alle leggi e alle direttive applicabili nell'Unione Europea.

Rispettare anche eventuali altre direttive nazionali/regionali.

In paesi fuori dell'Unione Europea, vanno applicati gli statuti e le regole locali valide.

Rispettare tutte le eventuali leggi e regole locali.

Simboli di sicurezza utilizzati

Le indicazioni **Pericolo**, **Attenzione** e **Prudenza** hanno il seguente significato:



Pericolo

Indica una situazione di pericolo imminente che, qualora non sia evitata, può provocare gravi lesioni personali o morte.



Attenzione

Indica una situazione potenzialmente pericolosa che, qualora non sia evitata, può provocare lesioni personali gravi o morte.



Prudenza

Indica una situazione che se non evitata, potrebbe provocare lesioni personali o danni al prodotto o ad altre proprietà.

Pericolo di trasporto



Prudenza

La perforatrice e il servosostegno sono pesanti. Per evitare lesioni personali durante il trasporto nell'area di lavoro

- ▶ Utilizzare un carrello o richiedere assistenza ad un collega durante il trasporto.

Rischi connessi all'uso della macchina e dell'utensile



Attenzione

Durante l'utilizzo della macchina possono verificarsi movimenti improvvisi o inaspettati della stessa, con possibile rischio di lesioni. Perdite di equilibrio o scivolamenti, inoltre, possono provocare gravi lesioni personali. Per ridurre i rischi:

- ▶ Operare sempre in posizione stabile, con i piedi allargati parallelamente alle spalle e con il peso del corpo ben bilanciato.
- ▶ afferrare saldamente la macchina con entrambe le mani;
- ▶ non avviare la macchina quando questa si trova coricata al suolo;
- ▶ accertarsi che le impugnature siano pulite e prive di olio e grasso.



Attenzione

L'avviamento accidentale della macchina può provocare gravi lesioni personali.

- ▶ Tenere lontane le mani dal dispositivo di avviamento e arresto quando non si lavora.



Attenzione

L'utensile di lavoro è soggetto a notevoli sollecitazioni durante l'uso della macchina e dopo un certo periodo d'utilizzo può rompersi. La rottura dell'utensile può provocare movimenti improvvisi o repentini. Tali movimenti possono provocare gravi lesioni personali.

- ▶ Operare sempre in posizione stabile, con i piedi allargati parallelamente alle spalle e con il peso del corpo ben bilanciato.
- ▶ Verificare regolarmente che l'utensile di lavoro non sia usurato e controllarlo in caso di rischio di danni o rotture evidenti.



Attenzione

Dimensioni errate del mandrino dell'utensile di lavoro possono causare perdita o slittamento dell'utensile durante il funzionamento, con conseguenti lesioni personali.

- ▶ Prima di inserire l'utensile di lavoro, accertarsi che le dimensioni del mandrino siano corrette per l'uso sulla macchina.
- ▶ Non utilizzare utensili di lavoro senza collare.

⚠ Attenzione

Qualora il trattenitore dell'utensile sulla macchina non sia bloccato, l'utensile può essere scagliato con grande forza provocando gravi lesioni personali.

- ▶ Una volta montato e bloccato l'utensile di lavoro, controllare la funzione di blocco tirandolo con forza verso l'esterno.
- ▶ Prima di avviare la macchina, accertarsi che l'utensile sia inserito a fondo e che il relativo fermo sia saldamente bloccato.
- ▶ Mai orientare l'utensile di lavoro verso se stessi o verso un'altra persona.

⚠ Attenzione

La sostituzione dell'utensile con la macchina in funzione può provocare gravi lesioni personali.

- ▶ Arrestare sempre la macchina prima di sostituire l'utensile.
- ▶ Non afferrare o toccare mai una punta in acciaio rotante.

⚠ Attenzione

Un tubo flessibile per aria compressa che si scolleghi può avere dei movimenti sferzanti e causare lesioni personali o la morte.

Per ridurre i rischi:

- ▶ verificare che il tubo flessibile e i collegamenti per l'aria compressa non siano danneggiati;
- ▶ verificare che tutti i collegamenti per l'aria compressa siano corretti;
- ▶ non tentare mai di scollegare un tubo flessibile per aria compressa quando è pressurizzato. Interrompere innanzi tutto l'aria compressa sul compressore e spurgare la macchina attivando il dispositivo di avviamento e arresto.

⚠ Attenzione

Qualora il fioretto si blocchi durante il funzionamento, l'intera macchina inizia a ruotare se si perde la presa. La rotazione improvvisa della macchina può provocare gravi lesioni personali.

- ▶ Afferrare saldamente la macchina con entrambe le mani.
- ▶ Accertarsi che le impugnature siano pulite e prive di olio e grasso.
- ▶ Non forare mai in un foro esistente.

⚠ Attenzione

Alcuni oggetti possono impigliarsi nel fioretto in rotazione provocando gravi lesioni personali. Ciò può provocare gravi lesioni personali.

- ▶ Non afferrare o toccare mai un fioretto in rotazione.
- ▶ Non indossare indumenti che possono rimanere impigliati. Raccogliere eventuali capelli lunghi.

Pericolo di esplosione e incendio

⚠ Pericolo

Qualora la macchina venga a contatto con una sostanza esplosiva vi è il rischio di esplosioni. Le esplosioni possono causare lesioni personali gravi o morte.

Per ridurre il rischio di esplosioni:

- ▶ non utilizzare l'attrezzatura per praticare fori in prossimità di esplosivi, inclusi dinamite o altri esplosivi collocati nella roccia;
- ▶ accertarsi che non vi siano esplosivi all'interno della roccia.
- ▶ Non forare mai in un foro esistente.

⚠ Attenzione

Le operazioni di perforazione e di lavorazione su taluni materiali possono causare scintille, e incendiare gas provocando un'esplosione. Le esplosioni possono causare lesioni personali gravi o morte.

Per ridurre il rischio di esplosioni:

- ▶ non utilizzare la macchina in ambienti esplosivi;
- ▶ non utilizzare la macchina in prossimità di materiali, vapori e polveri infiammabili;
- ▶ accertarsi che non siano presenti fonti di gas non rilevate.

Pericoli correlati ad energia elettrica/oggetti nascosti

⚠ Pericolo

La macchina non è isolata elettricamente. In caso di contatto della macchina con l'elettricità possono derivarne lesioni personali gravi o morte.

- ▶ Per ridurre il rischio di lesioni o morte, non utilizzare la macchina in prossimità di cavi elettrici o altre sorgenti elettriche.
- ▶ Accertarsi che non siano presenti cavi nascosti o altre sorgenti elettriche.

⚠ Attenzione

Durante la perforazione, cavi e tubi nascosti possono provocare gravi lesioni personali.

- ▶ Prima di iniziare la perforazione, verificare la composizione del materiale da lavorare.
- ▶ Accertarsi che non vi siano cavi e condutture nascosti, ad es. di elettricità, linee telefoniche, acqua, gas e acque di rifiuto, ecc.
- ▶ Qualora si sospetti che l'utensile abbia urtato un oggetto nascosto, spegnere immediatamente la macchina.
- ▶ Accertarsi che non vi siano pericoli prima di continuare.

Rischio di proiezione di oggetti

⚠ Attenzione

Durante la perforazione, schegge o altre particelle di materiale lavorato possono trasformarsi in proiettili e causare lesioni fisiche, colpendo l'addetto o altre persone.

- ▶ Per ridurre il rischio di lesioni, utilizzare dispositivi di protezione individuali approvati, ad esempio occhiali di sicurezza resistenti agli urti con protezioni laterali.

⚠ Prudenza

Durante la pulizia con aria possono fuoriuscire dal foro particelle e acqua sporca e causare lesioni personali.

- ▶ Spostarsi lateralmente e proteggere gli occhi prima di cominciare a rimuovere con aria i detriti della perforazione.
- ▶ Indossare sempre occhiali di sicurezza resistenti agli urti con protezioni laterali.
- ▶ Accertarsi che non siano presenti nell'area altri lavoratori quando si esegue la pulizia con aria.

Rischio correlato al rumore

⚠ Attenzione

Livelli elevati di rumore possono causare la perdita permanente dell'udito.

- ▶ Utilizzare protezioni acustiche conformi alle normative sulla salute e la sicurezza nei luoghi di lavoro.

Rischio correlato con silice/polveri

⚠ Attenzione

L'esposizione alla silice cristallina (denominata anche "polvere di silice"), successiva a perforazione o altre attività con roccia, cemento, asfalto o altri materiali, può causare silicosi (una grave malattia polmonare) o malattie ad essa correlate, cancro o morte. La silice è uno dei principali componenti di roccia, sabbia e minerali grezzi.

Per ridurre l'esposizione alla silice:

- ▶ utilizzare controlli strutturali adeguati per ridurre la quantità di silice nell'aria e l'accumulo di polvere sull'attrezzatura e le superfici. Alcuni esempi di tali controlli sono: sistemi di ventilazione d'estrazione e di raccolta delle polveri, spruzzi d'acqua e perforazione a umido. Accertarsi che questi controlli siano adeguatamente installati e sottoposti a manutenzione;
- ▶ indossare, conservare e utilizzare in modo corretto respiratori approvati per particolati quando i soli controlli strutturali non soddisfano la riduzione dell'esposizione al di sotto dei livelli consentiti;
- ▶ partecipare ai monitoraggi sulla qualità dell'aria, agli esami medici e ai programmi di formazione resi disponibili dal proprio datore di lavoro e quando richiesto dalla legge;
- ▶ indossare indumenti protettivi lavabili o monouso sul luogo di lavoro; fare la doccia e indossare indumenti puliti prima di lasciare il luogo di lavoro per ridurre la propria esposizione alla silice e quella di altre persone, automobili, abitazioni e altre aree;
- ▶ non mangiare, bere né fare uso di prodotti a base di tabacco in presenza di polveri contenenti silice cristallina;
- ▶ lavare le mani e la faccia prima di mangiare, bere o fare uso di prodotti a base di tabacco al di fuori dell'area di esposizione;

- ▶ collaborare con il proprio datore di lavoro al fine di ridurre l'esposizione alla silice sul luogo di lavoro.

⚠ Attenzione

Alcune polveri, fumi o altri materiali trasportati dall'aria, prodotti durante l'uso della macchina, possono contenere sostanze chimiche note presso lo Stato della California come cancerogene e portatrici di difetti neonatali o altri danni correlati alla riproduzione. Tra queste sostanze chimiche vi sono, a titolo esemplificativo:

- ▶ silice cristallina, cemento e altri prodotti per l'edilizia;
- ▶ arsenico e cromo derivati da gomma trattata chimicamente;
- ▶ vernici a base di piombo.

Per ridurre la propria esposizione a tali sostanze chimiche, lavorare in un'area ben ventilata, avvalendosi di dispositivi di protezione approvati, quali mascherine antipolvere appositamente realizzate per filtrare le particelle microscopiche.

Rischio correlato alle vibrazioni

⚠ Attenzione

L'uso normale e corretto della macchina espone l'operatore a vibrazioni. Un'esposizione regolare e frequente alle vibrazioni può causare o aggravare, anche solo in parte, lesioni o disturbi a dita, mani, polsi, braccia, spalle e/o altre parti del corpo dell'operatore, comprese lesioni o disturbi debilitanti e/o permanenti, che potrebbero svilupparsi gradualmente, nel corso di settimane, mesi o perfino anni. Tali lesioni o disturbi possono provocare danni al sistema circolatorio, sistema nervoso, articolazioni e anche ad altre strutture dell'organismo.

Se in un qualunque momento dovessero manifestarsi sintomi quali intorpidimento, formicolio, indebolimento della presa, dolore, pallore o altro, che si stia utilizzando la macchina o meno, non riprenderne l'uso e rivolgersi a un medico. La prosecuzione nell'utilizzo della macchina dopo il verificarsi di uno di tali sintomi aumenta il rischio che esso diventi più grave e/o permanente.

Per ridurre l'esposizione dell'operatore alle vibrazioni, adottare le seguenti precauzioni:

- ▶ lasciare che sia l'utensile a eseguire il lavoro; utilizzare una presa minima sufficiente al controllo corretto e al funzionamento sicuro.
- ▶ Quando è attivato il meccanismo di percussione, il solo contatto che il corpo dell'operatore deve avere con la macchina è delle mani sull'impugnatura. Evitare altro contatto, ad es. addossando una parte del corpo alla macchina o appoggiandovisi per aumentare la forza di avanzamento. Inoltre è importante mantenere il dispositivo di azionamento innestato durante l'estrazione dell'utensile dalla superficie di lavoro.
- ▶ Accertarsi che sull'utensile venga eseguita una corretta manutenzione, che non sia usurato e che sia delle dimensioni corrette. Utensili di lavoro sui quali non venga eseguita una corretta manutenzione, che siano usurati o di dimensioni errate impiegano più tempo a compiere un'operazione (quindi con un periodo maggiore di esposizione alle vibrazioni) e possono causare o contribuire a più alti livelli di esposizione alle vibrazioni.
- ▶ Interrompere immediatamente il lavoro se la macchina improvvisamente inizia a vibrare eccessivamente. Prima di riprendere il lavoro, individuare e rimuovere la causa dell'aumento delle vibrazioni.
- ▶ Nell'utilizzare la macchina, adottare la pressione dell'aria raccomandata. Una pressione dell'aria maggiore o inferiore può causare livelli più alti di vibrazioni.
- ▶ Non afferrare, mantenere o toccare l'utensile quando la macchina è in uso.
- ▶ Partecipare a sorveglianza o monitoraggio sanitario, esami medici e programmi di formazione resi disponibili dal proprio datore di lavoro e quando richiesto dalla legge.

Vedere la "*Dichiarazione in materia di rumore e vibrazioni*" per quanto concerne la macchina, al termine di queste istruzioni per la sicurezza e per l'uso.

Rischio correlato a modifiche alla macchina

⚠ Attenzione

Eventuali modifiche non autorizzate dalla Atlas Copco possono provocare gravi lesioni personali a se stessi e agli altri.

- ▶ **La macchina non deve essere modificata senza l'autorizzazione della Atlas Copco.**
- ▶ **Utilizzare esclusivamente ricambi ed accessori approvati dalla Atlas Copco.**

Istruzioni aggiuntive per la sicurezza

- ▶ Utilizzare macchine e accessori esclusivamente per gli scopi previsti.
- ▶ L'uso e la manutenzione della macchina sono riservati esclusivamente a personale addestrato e qualificato.
- ▶ Imparare come fermare la macchina in caso di emergenza.
- ▶ La pressione massima consentita dell'aria compressa non deve mai essere superata.
- ▶ Rilasciare immediatamente il dispositivo di avviamento e arresto in caso di interruzione di corrente.
- ▶ Ispezionare sempre l'attrezzatura prima dell'uso. Non utilizzare l'attrezzatura se si sospetta che sia danneggiata.
- ▶ Utilizzare sempre le regole del buon senso.
- ▶ Prestare sempre la massima attenzione durante il lavoro.
- ▶ Non utilizzare la macchina qualora si sia estremamente stanchi o sotto l'effetto di farmaci, sostanze alcoliche o altre sostanze tali da compromettere la propria visibilità e reattività oppure il proprio giudizio.
- ▶ Partecipare ai corsi sulla sicurezza e di formazione.
- ▶ Non colpire né utilizzare impropriamente alcuna attrezzatura.
- ▶ La macchina e gli utensili devono essere conservati in un luogo sicuro e fuori dalla portata dei bambini, chiuso a chiave.
- ▶ Assicurarsi che tutta l'attrezzatura sia sottoposta a corretta manutenzione.
- ▶ Su ogni macchina sono apposte targhette ed etichette adesive importanti per la sicurezza dell'operatore e la cura della macchina. Accertarsi che siano sempre leggibili. È possibile ordinare nuove targhette e nuove etichette adesive facendo riferimento all'elenco dei pezzi di ricambio.
- ▶ Assicurarsi che nessuna persona non autorizzata si introduca nella zona di lavoro.
- ▶ Mantenere il luogo di lavoro pulito e privo di corpi estranei.
- ▶ Non orientare il tubo flessibile per aria compressa verso se stessi o verso altri. Per evitare il rischio di lesioni, non utilizzare mai l'aria compressa per eliminare ad es. polvere, sporco ecc. dagli abiti.

Dispositivi di protezione

Utilizzare sempre dispositivi di protezione approvati. Gli operatori e tutte le altre persone presenti nella zona di lavoro devono adottare i dispositivi di protezione, che comprenderanno almeno:

- ▶ elmetto protettivo
- ▶ protezione acustica
- ▶ occhiali di sicurezza resistenti agli urti con protezioni laterali
- ▶ protezione delle vie respiratorie, se necessario
- ▶ guanti protettivi
- ▶ calzature protettive

Manutenzione

La manutenzione regolare è essenziale per la sicurezza e l'efficacia della macchina. Seguire attentamente le istruzioni per l'uso.

Prima di accingersi alla manutenzione o alla sostituzione dell'utensile di lavoro su macchine pneumatiche, disinserire sempre l'alimentazione dell'aria e spurgare la macchina premendo il dispositivo di avviamento e arresto. Quindi scollegare il tubo dell'aria dalla macchina.

- ▶ Utilizzare esclusivamente ricambi originali. Eventuali danni o guasti dovuti dall'uso di ricambi non originali non sono coperti da Garanzia o Responsabilità sul Prodotto.
- ▶ Sostituire immediatamente i pezzi danneggiati.
- ▶ Sostituire tempestivamente i componenti danneggiati e usurati.
- ▶ Per la manutenzione completa della macchina, rivolgersi al proprio centro di assistenza autorizzato.
- ▶ In caso di pulizia delle parti meccaniche con un solvente, rispettare tutte le norme di sicurezza vigenti e accertarsi che vi sia una ventilazione adeguata.

Utensili di lavoro

- ▶ Mantenere gli utensili puliti e in buone condizioni. Controllare regolarmente gli utensili di lavoro, accertarsi che siano affilati e non usurati.

Nota bene! L'uso errato degli utensili di lavoro può distruggere la macchina.

ISTRUZIONI PER L'USO

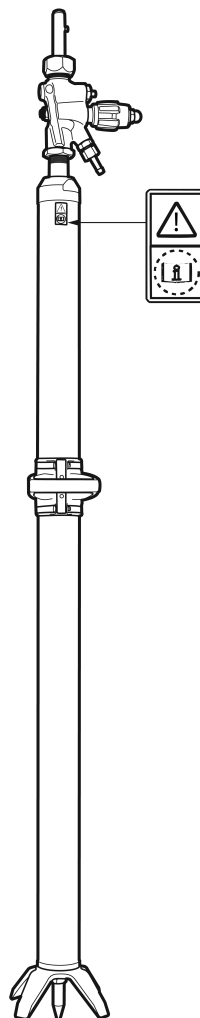
Modello e funzioni

I servosostegni Atlas Copco di tipo ALF 72D, ALF 72D-1, BMK 62S e ALF 67/80D vengono utilizzati con le perforatrici leggere di tipo BBD and RH. I modelli ALF 72D, ALF 72D-1 e ALF 67/80D vengono utilizzati con il modello BBD 94W e sono a doppio effetto con un ritorno automatico. Il modello BMK 62S è utilizzato con il modello RH 656W e deve essere ritirato manualmente. I modelli ALF 72D, ALF 72D-1, BMK 62S e ALF 67/80D sono dotati di un cilindro monostadio. Il modello ALF 67/80D è dotato di un cilindro a due stadi. I cilindri sono in alluminio ad eccezione del modello BMK 62S che è in acciaio. I servosostegni sono collegati alla perforatrice mediante uno speciale dispositivo di collegamento. La pressione dell'aria consigliata è di 6 bar.

Il supporto del servosostegno ha la funzione di aiutare l'operatore a sollevare e avanzare la perforatrice durante le operazioni.

Segnali ed etichette adesive

Ogni macchina è dotata di segnali ed etichette adesive importanti per la sua cura e la vostra sicurezza. È possibile ordinare nuove etichette adesive utilizzando il listino ricambi.



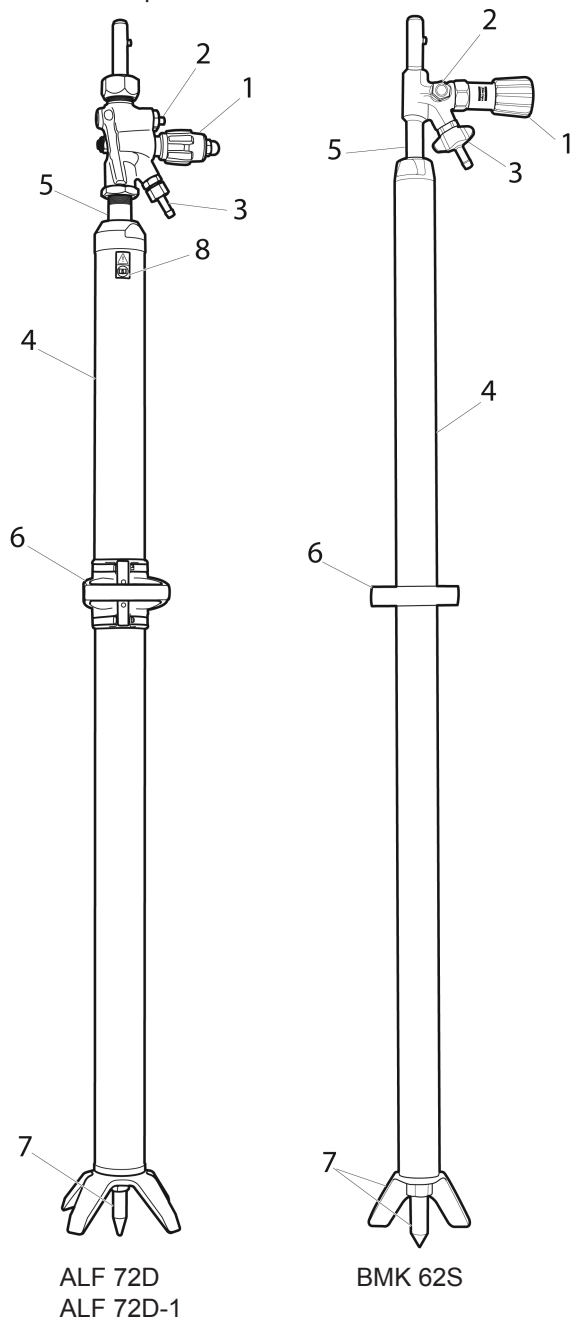
I segnali riportano informazioni importanti:

Il simbolo di attenzione insieme al simbolo del libro indicano che occorre leggere le Istruzioni per la sicurezza e per l'uso prima di utilizzare la macchina.

Principio operativo di un servosostegno

Funzione

Il movimento di avanzamento del servosostegno è alimentato dall'aria compressa, che viene diretta sul lato inferiore del pistone spingendolo all'esterno del cilindro. Per il ritorno automatico (non per il modello BMK 62S) dello stelo del pistone all'interno del cilindro, l'aria compressa viene diretta sul lato inferiore del pistone.



1. Manopola di comando avanzamento
2. Spillo della valvola
3. Nipplo del tubo flessibile (12,5 mm)
4. Cilindro di avanzamento
5. Stelo del pistone
6. Impugnatura
7. Incavigliatura con supporto
8. Etichetta di avvertimento

Preparativi prima dell'accensione

1. Controllare l'attrezzatura di perforazione

- ▶ Controllare che l'intera attrezzatura di perforazione sia in buono stato operativo.
- ▶ Accertarsi che non vi siano ostruzioni sulla porta di ingresso dell'aria.
- ▶ Accertarsi che le giunzioni siano ben serrate e che non presentino perdite.

⚠ Attenzione

Verificare sempre che non vi siano tubi danneggiati o allentati e controllare le giunzioni prima di dare inizio alle operazioni. I tubi allentati possono colpire chiunque si trovi nelle vicinanze, provocando lesioni gravi.

2. Pulire la condotta d'aria con aria compressa

- ▶ Ogni giorno, prima di utilizzare la perforatrice, pulire la condotta d'aria con aria compressa in modo da rimuovere lo sporco e l'umidità che si sono accumulati al suo interno.

3. Riempire di olio l'oliatore

Nota bene! Verificare che il mandrino e il codolo della punta di perforazione siano sempre coperti da uno strato di olio.

Nota bene! Utilizzare sempre un lubrificante raccomandato.

Lubrificante	Raccomandazione
olio per utensili pneumatici	Utilizzare olio minerale per utensili pneumatici
	Temperatura ambiente °C
	Grado di viscosità (ISO 3448)
	da -30 a 0
	ISO VG 32-68
	da -10 a +20
	ISO VG 68-100
	da +10 a +50
	ISO VG 100-150

4. Misurare la giusta pressione di acqua e aria

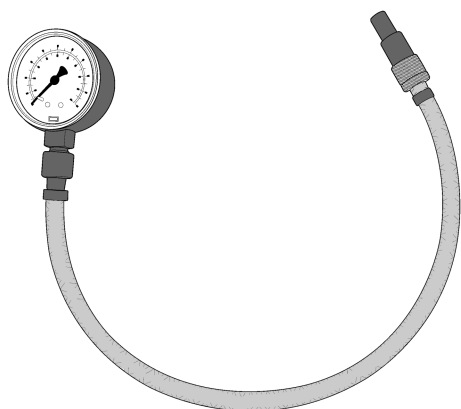
Utilizzare il manometro **Atlas Copco no. 9090 0550 80** per verificare la pressione di acqua e aria durante il funzionamento della perforatrice.

Pressione dell'aria

Accertarsi che il compressore sia in grado di produrre l'aria richiesta a 4 e 6 bar nell'utensile.

- **Una pressione alta** incide negativamente sul funzionamento e provoca danni.
- **Una pressione bassa** rallenta la velocità di perforazione.

Pressione dell'acqua



Il manometro è dotato di un ago che viene inserito nel tubo per misurarne la pressione interna.

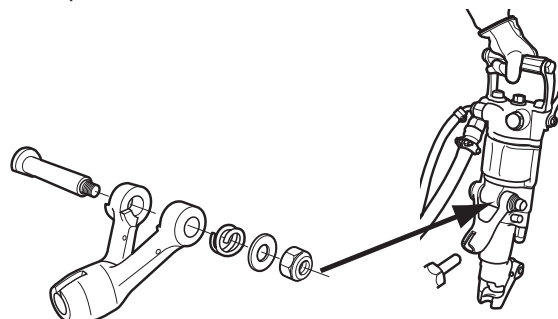
Nota bene! Verificare che la pressione dell'acqua sia inferiore alla pressione dell'aria di almeno 1 bar per non rischiare che l'acqua entri nel meccanismo di impatto. Ad esempio, se la pressione dell'aria è pari a 6 bar, la pressione dell'acqua deve essere al di sotto dei 5 bar per impedire che l'acqua entri nel meccanismo di impatto.

Dispositivo di collegamento

Per unire il servosostegno alla perforatrice è necessario un dispositivo di collegamento.

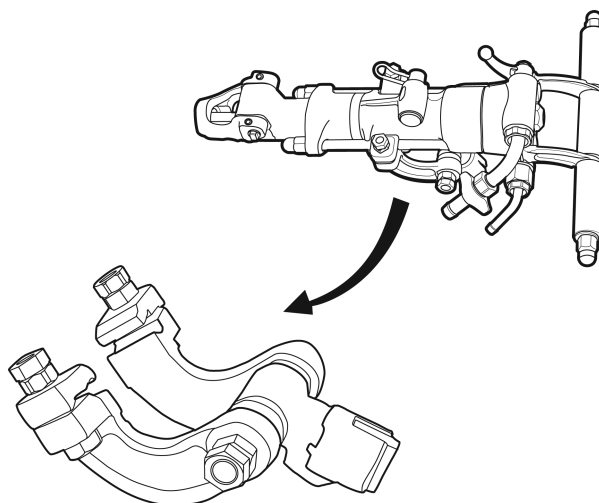
Perforatrice BBD 94

L'accessorio viene applicato alla parte intermedia della perforatrice.

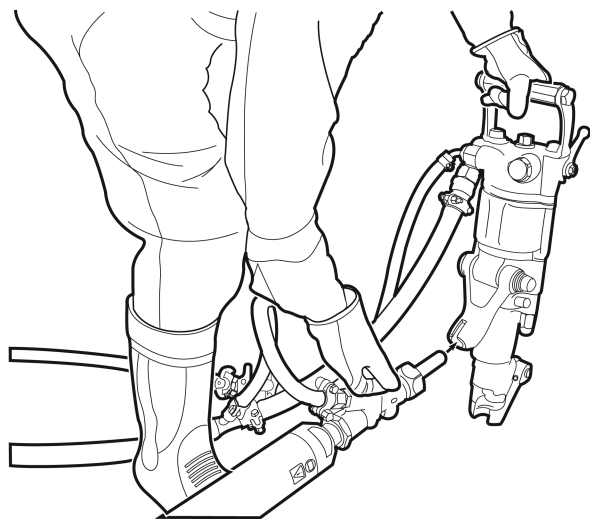


Perforatrice RH 656 W

L'accessorio si applica alla perforatrice agganciandolo ai bulloni laterali.



Collegamento del servosostegno alla perforatrice



Il servosostegno deve essere fissato alla perforatrice per mezzo di un innesto a baionetta.

Controlli

Controlli per i modelli ALF 72D, ALF 72D-1 e ALF 67/80D

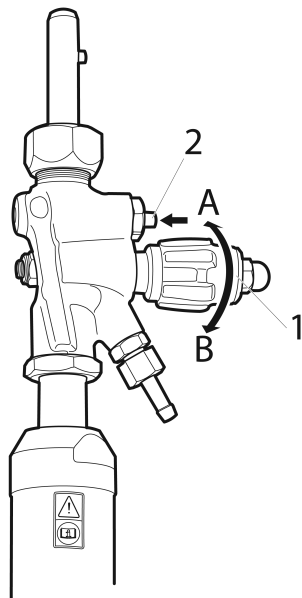
Manopola di comando avanzamento del servosostegno (1)

Regolare la forza di alimentazione per mezzo della manopola di comando avanzamento nel modo seguente:

Ruotare la manopola in senso antiorario (B) per aumentare la forza di alimentazione.

Ruotare la manopola in senso orario (A) per diminuire la forza di alimentazione.

Quando la manopola di controllo avanzamento si trova nella posizione di chiusura, il servosostegno viene spurgato.



Spillo della valvola (2)

Quando si spinge lo spillo della valvola, la forza di alimentazione si interrompe immediatamente e l'impostazione sulla manopola di comando avanzamento viene esclusa. Questa funzione viene usata, ad esempio, per regolare l'altezza della perforatrice quando si monta il servosostegno o quando esiste una tendenza al blocco.

Premendo lo spillo della valvola, si riattiva l'impostazione del controllo di avanzamento.

Controlli per il modello BMK 62S

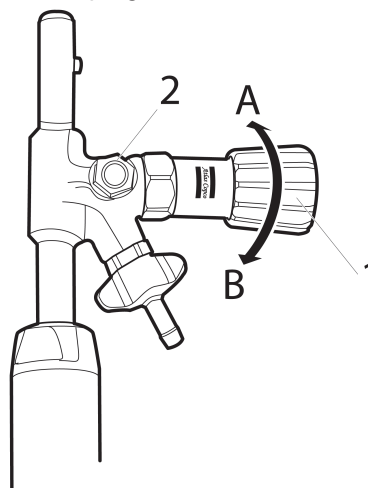
Manopola di comando avanzamento del servosostegno (1)

Regolare la forza di alimentazione per mezzo della manopola di comando avanzamento nel modo seguente:

Ruotare la manopola in senso antiorario (B) per aumentare la forza di alimentazione.

Ruotare la manopola in senso orario (A) per diminuire la forza di alimentazione.

Quando la manopola di controllo avanzamento si trova nella posizione di chiusura, il servosostegno viene spurgato.

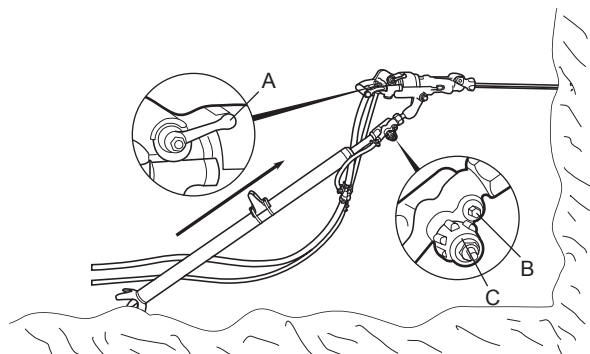


Spillo della valvola (2)

Quando si spinge lo spillo della valvola, la forza di alimentazione si interrompe immediatamente e l'impostazione sulla manopola di comando avanzamento viene esclusa. Questa funzione si usa, ad es., per regolare l'altezza della perforatrice, nell'allestimento del servosostegno o in presenza di una tendenza all'incastramento.

Perforazione

Avvio della perforatrice



1. Aprire la valvola principale dell'aria compressa.
2. Regolare la manopola di comando avanzamento (C) affinché la forza di alimentazione sia adatta a realizzare la bocca del foro.
3. Allineare la perforatrice in modo che la punta di perforazione tocchi il punto previsto per la realizzazione della bocca del foro.
4. Spostare leggermente in avanti la leva del gas (A), per avviare lo spurgo di acqua, la percussione e la rotazione.
5. Realizzare la bocca del foro con una forza di alimentazione ridotta.
6. Spostare la leva del gas (A) completamente in avanti non appena la punta di perforazione ha iniziato a perforare nettamente la roccia.
7. Regolare la forza di alimentazione per mezzo della manopola di controllo (C) in modo da ottenere la velocità di penetrazione minima.

Arresto della perforatrice

1. Spingere indietro la leva del gas (A), per arrestare la percussione, la rotazione e l'acqua di spurgo.
2. Portare la manopola di controllo alimentazione (C) sulla posizione di chiusura.

Riposizionamento del servosostegno

1. Arrestare la percussione della perforatrice e lo spurgo per mezzo della leva del gas (A).
2. Premere lo spillo della valvola (B), in modo che l'asta del pistone venga automaticamente tirata indietro all'interno del cilindro del servosostegno (manualmente per il modello BMK 62S).
3. Riposizionare il servosostegno.
4. Rilasciare lo spillo della valvola (B) in modo che l'asta del pistone fuoriesca nuovamente.
5. Spostare la leva del gas (A) in avanti in posizione operativa.
6. La manopola di controllo dell'alimentazione (C) non deve essere toccata durante questa operazione.

Al termine della perforazione

Appoggiare la perforatrice su una pietra, una tavola di legno o un oggetto simile in modo da impedire che trucioli e altro materiale estraneo entrino nel mandrino.

Interrompere la pressione dell'acqua prima della pressione dell'aria. Dopo aver arrestato l'alimentazione idrica, lasciare funzionare la perforatrice per alcuni secondi per eliminare acqua e umidità.

Manutenzione

Per garantire la sicurezza della macchina è fondamentale una manutenzione regolare. Sostituire tempestivamente componenti danneggiati o usurati. Per interventi di manutenzione straordinaria della macchina, contattare la più vicina officina autorizzata.

Verificare regolarmente che la macchina e gli utensili non siano usurati o danneggiati. Non utilizzare utensili usurati o danneggiati.

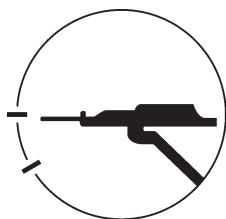
Accertarsi di eseguire la pulizia delle parti meccaniche con solventi in conformità alle vigenti normative sanitarie e di sicurezza e in un ambiente sufficientemente aerato.

Una manutenzione giornaliera, la verifica regolare di parti usurate e l'esecuzione tempestiva delle riparazioni prevengono i guasti e allungano la vita operativa della macchina.

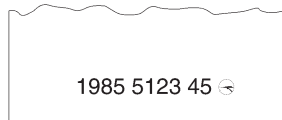
- ▶ Lubrificare sempre con cura la perforatrice e il servosostegno prima di riporli.
- ▶ Riporli in un ambiente pulito e asciutto.
- ▶ Accertarsi che nella macchina non possa entrare materiale estraneo.
- ▶ Sfiatare sempre i flessibili e pulire la perforatrice e il servosostegno dopo l'uso.

Differenza tra parti originali e parti non originali

Al momento di acquistare una parte, la prima cosa da fare è verificare che la parte sia di Atlas Copco. Le parti sono quasi sempre identificabili.



PNA



Le parti della perforatrice riportano solitamente sia la marcatura del numero della parte sia la marcatura di identificazione di Atlas Copco, ovvero un cerchio che racchiude una perforatrice. In alcuni casi la parte riporta soltanto il cerchio o il numero della parte.

Le parti in gomma e le parti in plastica solitamente non sono marcate.

I concorrenti che copiano le nostre parti spesso marcano soltanto le parti più importanti e costose. Alcune parti riportano soltanto il numero della parte, mentre altre hanno anche una marcatura di identificazione sotto forma delle iniziali del nome del produttore. I numeri sulle parti non originali vengono solitamente stampigliati a mano, producendo irregolarità. I numeri delle parti stampigliati da Atlas Copco sono regolari e le cifre hanno tutte le stesse dimensioni. Inoltre, la profondità delle cifre e la spaziatura tra di esse sono le stesse in ogni gruppo.

Una volta ogni turno (dopo 8 ore di funzionamento)

1. Verificare il collegamento della perforatrice al servosostegno.
2. Controllare tubi, innesti e controlli non presentino perdite o danni.
3. Verificare che la perforatrice e il servosostegno siano stati lubrificati a sufficienza. Se necessario, rabboccare l'oliatore.
4. Spurgare il separatore d'acqua.

Una volta alla settimana (dopo 40 ore di funzionamento)

- Eseguire un controllo generale di tutte le funzioni dell'attrezzatura di perforazione.

Rottamazione e smaltimento parti usurate

Le macchine usate e usurate devono essere smaltite in modo tale che possa essere riciclata la maggior quantità possibile di materiale e che l'impatto sull'ambiente sia minimo.

Ricerca dei guasti

Guida di base alla ricerca dei guasti

Problema	Causa	Soluzione
Forza di alimentazione insufficiente	Pressione dell'aria bassa	Aumentare la pressione a 6 bar.
	La valvola 3121 0726 80 è bloccata o le guarnizioni 0663 2124 00 sono usurate (solo nei modelli ALF).	Se necessario, smontare la valvola e pulirla. Sostituire le guarnizioni usurate o deformate.
	Guarnizione dello stelo del pistone usurata o deformata	Sostituire la guarnizione

¹ Per i limiti di usura e le coppie di serraggio, vedere le informazioni sulla manutenzione di perforatrici leggere, documento Atlas Copco n. 9853 1086 01.

² Calibro per codolo esagonale boccola mandrino 22 mm (7/8") Atlas Copco n. 3091 0038 00.

³ Utilizzare il manometro Atlas Copco n. 9090 0550 80 per testare la pressione di acqua e aria.

Accessori

Accessorio	Ordine n.
Oliatore per BBC, BBD, RH:	
BLG 30, per olio minerale	8202 5102 05
CLG 30, per olio minerale e sintetico	8202 5102 39
Separatore d'acqua per BBC, BBD, RH	
VAM 5A, per flusso d'aria fino a 120 l/s (254 cfm)	8092 0110 82
Accessori condotta aria 25 mm (1")	
Tubo in gomma, 30 m	9030 2041 00
Innesto a denti	9000 0313 00
Fascetta stringitubo a due pezzi	9000 0197 00
Manometro per aria compressa e pressione acqua	
Manometro	9090 0550 80
Set ago extra	9090 0678 90
Tubo per aria compressa 25 mm (1") per perforatrice e slitta montata con raccordi per:	
Modello BBD 94W con i modelli ALF 72D, ALF 72D-1 e ALF 67/80D	9030 2068 00
Condotta aria compressa per 20 mm (3/4") per perforatrice e slitta montata con raccordi per:	
Modello RH 656W con BMK 62S	9030 2067 00
Guanti antivibrazioni	
Misura L	9800 0434 01
Misura XL	9800 0435 01

Caratteristiche tecniche

Tipo	Codice	Indicato per perforatrice	Alimentatore lunghezza (mm)	Lunghezza retratta (mm)	Lunghezza in estensione (mm)	Peso (kg)	Pistone foro (mm)
<i>Telescopio singolo</i>							
ALF 72D	8321 0201 80	BBD 94W	1300	1970	3270	19	70
ALF 72D-1	8321 0201 81	BBD 94W	1200	1830	3030	16	70
BMK 62S	8321 0102 02	RH 656W	1300	1815	3115	17	53
<i>Telescopio doppio</i>							
ALF 67/80D	8321 0201 69	BBD 94W	1855	1595	3450	19	67/80

SVENSKA

Innehåll

SÄKERHETSINSTRUKTION	101
Säkerhetssymboler som används	101
Transportfara	101
Faror vid användning av maskin och arbetsverktyg	101
Risk för explosion och brand	102
Elektriska faror/faror från dolda föremål	102
Faror från kringflygande föremål	103
Bullerfaror	103
Faror från kiseldioxid/damm	103
Vibrationsfaror	104
Faror vid maskinmodifieringar	104
Ytterligare säkerhetsinstruktioner	105
Skyddsutrustning	105
Service och underhåll	105
Arbetsverktyg	105
BRUKSANVISNING	106
Konstruktion och funktion	106
Skyltar och dekaler på maskinen	106
Arbetsprincip för ett matarben	107
Funktion	107
Förberedelser före start	107
Anslutningsanordning	108
Bergborr BBD 94	108
Bergborr RH 656 W	108
Ansluta matarbenet till bergborren	109
Reglage	109
Reglage till ALF 72D, ALF 72D-1 och ALF 67/80D	109
Reglage för BMK 62S	109
Borrning	110
Starta bergborren	110
Stoppa bergborren	110
Ompositionering av matarbenet	110
När du har borrarat klart	110
Underhåll	110
Skillnader mellan originaldelar och kopior	111
En gång per skift (efter 8 timmars drift)	111
En gång i veckan (efter 40 timmars drift)	111
Skrotning och avfallshantering	111
Felsökning	112
Grundläggande felsökningsguide	112
Tillbehör	113
Tekniska specifikationer	114

SÄKERHETSINSTRUKTION

För att minska risken för allvarliga personskador (eller till och med dödsfall) för dig själv och andra, ska du läsa igenom dessa säkerhetsinstruktioner noggrant innan du använder maskinen.

Dessa säkerhetsinstruktioner ska finnas synliga på arbetsplatserna, kopior ska delas ut till de anställda och alla måste läsa säkerhetsinstruktionerna innan de använder eller utför service på maskinen.

Följ alla säkerhetsinstruktioner i manualen.

Alla säkerhetsinstruktioner följer EU:s tillämpliga lagar och direktiv.

Du ska dessutom följa alla ytterligare nationella/ regionala direktiv.

I länder utanför EU gäller de lokala lagarna och föreskrifterna.

Alla ytterligare regionala lagar och föreskrifter måste följas.

Säkerhetssymboler som används

Anvisningarna **Fara**, **Varning** och **Varsamhet** har följande betydelser:

Fara

Indikerar en överhängande farlig situation som – om den inte undviks – kommer att resultera i dödsfall eller allvarlig personskada.

Varning

Anger en potentiellt farlig situation som - om den inte undviks - kan resultera i dödsfall eller allvarlig olycka.

Varsamhet

Anger en situation som kan, om den inte undviks, resultera i personskada eller förstörelse av produkten eller annan egendom.

Transportfara

Varsamhet

Bergborrmaskinen och matarbenen är tunga. För att undvika personskador under transport till arbetsområdet:

- ▶ Använd en vagn eller be en arbetskamrat om hjälp vid transport.

Faror vid användning av maskin och arbetsverktyg

Varning

En plötslig eller oväntad rörelse av maskinen kan inträffa under användning, vilket kan orsaka personskador. Dessutom kan du göra illa dig om denna rörelse får dig att förlora balansen eller halka. För att minska riskerna:

- ▶ Se till att du alltid står stabilt, med fötterna lika brett isär som dina axlar och med kroppen i balans.
- ▶ Stå stadigt och håll alltid i maskinen med båda händerna.
- ▶ Starta inte maskinen när den ligger på marken.
- ▶ Se till att handtaget är rent och fritt från smörjämnen och olja.

Varning

Att råka starta maskinen av misstag kan orsaka personskador.

- ▶ Håll händerna borta från trycket tills du är redo att påbörja arbetet.

Varning

Borrstålet utsätts för hög belastning när maskinen används och efter en viss tids användning kan insatsverktyget gå sönder på grund av materialutmattning. Om insatsverktyget går sönder kan maskinen göra plötsliga eller våldsamma kast. Dessa plötsliga eller våldsamma kast kan orsaka allvarliga personskador.

- ▶ Se till att du alltid står stabilt, med fötterna lika brett isär som dina axlar och med kroppen i balans.
- ▶ Kontrollera regelbundet om arbetsverktyget är slitet, och kontrollera att det inte finns några tecken på skador eller synliga sprickor.

Varning

En felaktig dimension på verktygets nacke kan leda till att arbetsverktyget tappas eller glider ur under användningen. Ett arbetsverktyg som är tappas eller glider ur kan orsaka personskador.

- ▶ Innan arbetsverktyget sätts i måste du kontrollera att nackens dimensioner är korrekta för maskinen.
- ▶ Arbetsverktyg utan krage får inte användas.

⚠ Varning

Om verktygshållaren på maskinen inte är i låst läge kan arbetsverktyget kastas ut med stor kraft, vilket kan orsaka allvarliga personskador.

- ▶ När arbetsverktyget har monterats och låsts fast måste du kontrollera låsfunktionen genom att dra verktyget hårt utåt.
- ▶ Se till att verktyget är helt isatt och att verktygshållaren är i låst läge innan maskinen startas.
- ▶ Rikta aldrig arbetsverktyget mot dig själv eller någon annan.

⚠ Varning

Att försöka byta arbetsverktyget medan maskinen är igång kan orsaka allvarliga personskador.

- ▶ Stoppa alltid maskinen innan du byter verktyg.
- ▶ Ta aldrig tag i eller rör vid ett roterande borrarstål.

⚠ Varning

En tryckluftsslang som lossnar kan slungas runt och orsaka personskador eller dödsfall. För att minska riskerna:

- ▶ Kontrollera att tryckluftsslangen och anslutningarna inte är skadade.
- ▶ Kontrollera att alla tryckluftsanslutningar är korrekt kopplade.
- ▶ Försök aldrig koppla isär en tryckluftsslang som är trycksatt. Stäng först av tryckluftsförsörjningen på kompressorn och avlufta sedan maskinen genom att aktivera start- och stoppanordningen.

⚠ Varning

Om borrarstålet fastnar under drift kommer hela maskinen att börja rotera om du förlorar greppet om den. Denna oväntade rotation av hela maskinen kan orsaka allvarliga personskador.

- ▶ Stå stadigt och håll alltid i maskinen med båda händerna.
- ▶ Se till att handtaget är rent och fritt från smörjämnen och olja.
- ▶ Borra aldrig i ett gammalt hål.

⚠ Varning

Det finns risk för att föremål dras in i eller fastnar i ett roterande borrarstål. Detta kan orsaka allvarliga personskador.

- ▶ Ta aldrig tag i eller vidrör ett roterande borrarstål.
- ▶ Använd inte kläder som kan fastna. Om du har långt hår ska du använda hårnät.

Risk för explosion och brand

⚠ Fara

Om maskinen kommer i kontakt med ett sprängämne kan en explosion inträffa. Explosioner kan orsaka allvarliga personskador eller dödsfall.

För att minska risken för explosioner:

- ▶ Använd aldrig utrustningen för att borra nära sprängämnen, inklusive dynamit eller andra sprängämnen i klippblocket.
- ▶ Se till att det inte finns några sprängämnen i klippblocket.
- ▶ Borra aldrig i ett gammalt hål.

⚠ Varning

Om man borrar i eller arbetar med vissa material kan gnistor uppstå som kan antända explosiva gaser och orsaka explosioner. Explosioner kan orsaka allvarliga personskador eller dödsfall.

För att minska risken för explosioner:

- ▶ Använd aldrig maskinen i explosiva miljöer.
- ▶ Använd inte maskinen nära brännbara material, brännbara ångor eller brännbart damm.
- ▶ Se till att det inte finns några okända gaskällor.

Elektriska faror/faror från dolda föremål

⚠ Fara

Maskinen är inte elektriskt isolerad. Om maskinen kommer i kontakt med elektricitet kan det leda till allvarliga personskador eller dödsfall.

- ▶ För att minska risken för personskador eller dödsfall får man aldrig använda maskinen i närheten av elledningar eller andra elektriska källor.
- ▶ Se till att det inte finns några dolda ledningar eller andra elektriska källor.

⚠ Varning

Under borring kan dolda ledningar och rör innebära en fara som kan leda till allvarliga personskador.

- ▶ Kontrollera sammansättningen av materialet du ska arbeta med innan du börjar borra.
- ▶ Se upp för dolda ledningar och rör, exempelvis för el, telefon, vatten, gas och avlopp.
- ▶ Om insatsverktyget verkar ha slagit i ett dolt föremål måste du omedelbart stänga av maskinen.
- ▶ Påbörja inte arbetet igen förrän du är säker på att det är riskfritt att fortsätta.

Faror från kringflygande föremål

⚠ Varning

Vid borring kan personskador orsakas av flisor eller andra partiklar från arbetsmaterialet som flyger iväg och träffar maskinanvändaren eller andra personer.

- ▶ Använd godkänd personlig skyddsutrustning, inklusive stöttåliga skyddsglasögon med sidoskydd, för att minska risken för att skadas av kringflygande föremål.

⚠ Varsamhet

Under urlåsningen kan partiklar och smutsigt spolvatten komma upp ur borrhålet och orsaka personskada.

- ▶ Flytta dig åt sidan och skydda ögonen innan du börjar blåsa borrhålet rent.
- ▶ Använd alltid stöttåliga skyddsglasögon med sidoskydd.
- ▶ Se till att inga medarbetare står i närheten när hålet blåses rent.

Bullerfaror

⚠ Varning

Höga ljudnivåer kan orsaka permanenta hörselskador.

- ▶ Använd hörselskydd i enlighet med de gällande föreskrifterna för hälsa och säkerhet i arbetet.

Faror från kiseldioxid/damm

⚠ Varning

Exponering för kristallin kiseldioxid (kallas ibland "kvarstdamm") som uppstår vid borring eller andra aktiviteter som berör sten, betong, asfalt eller andra material kan orsaka silikos (en allvarlig lungsjukdom), silikosrelaterade sjukdomar, cancer eller dödsfall. Kiseldioxid är en viktig beståndsdel i sten, sand och mineralmalmer.

För att minska exponeringen för kiseldioxid:

- ▶ Använd rätt tekniska metoder för att minska mängden kiseldioxid i luften och ansamlingen av damm på utrustning och ytor. Exempel på dessa tekniska metoder är: utsugningsventilation och dammsamlingsystem, vattensprej och våtbörning. Se till att dessa tekniska metoder införs och upprätthålls på rätt sätt.
- ▶ Godkända andningsskydd med partikelfilter ska bäras, användas och underhållas på rätt sätt när de tekniska metoderna inte ensamma räcker för att minska exponeringen under de godkända nivåerna.
- ▶ Delta i luftkontroller, medicinska undersökningar och utbildningsprogram när arbetsgivaren erbjuder det eller när lagen kräver det.
- ▶ Använd tvättbara skyddskläder eller skyddskläder för engångsbruk på arbetsplatsen. Duscha och byt om till rena kläder innan du lämnar arbetsplatsen för att minska din exponering för kiseldioxid, liksom exponeringen som andra personer, bilar, hem och områden utsätts för.
- ▶ Man ska inte äta, dricka eller använda tobaksprodukter på ställen där det finns damm som innehåller kristallin kiseldioxid.
- ▶ Tvätta händerna och ansiktet innan du äter, dricker eller använder tobaksprodukter utanför exponeringsområdet.
- ▶ Arbeta tillsammans med arbetsgivaren för att minska exponeringen för kiseldioxid på arbetsplatsen.

⚠ Varning

Damm, ångor eller annat luftburet material som uppstår vid användning av maskinen kan innehålla kemikalier som staten Kalifornien känner till kan orsaka cancer och ge upphov till fosterskador eller andra fortplantningsskador. Några exempel på dessa kemikalier är:

- ▶ Kristallin kiseldioxid och cement och andra produkter för murning.
- ▶ Arsenik och krom från kemiskt behandlat gummi.
- ▶ Bly från blybaserade målarfärger.

För att minska exponeringen för dessa kemikalier ska man arbeta i väl ventilerade utrymmen och använda godkänd säkerhetsutrustning, exempelvis dammasker som är specialkonstruerade för att filtrera bort mikroskopiska partiklar.

Vibrationsfaror

⚠ Varning

Normal och korrekt användning av maskinen utsätter användaren för vibrationer. Regelbunden och frekvent exponering för vibrationer kan orsaka, bidra till eller förvärra skador eller problem i användarens fingrar, händer, handleder, armar, skuldror och/eller andra kroppsdelar. Detta inkluderar försvagningar och/eller permanenta skador eller problem som kan utvecklas gradvis under flera veckor, månader eller år. Bland sådana skador eller problem kan inräknas skador på blodomloppet, nervsystemet, leder och andra kroppsstrukturer.

Om du märker av domningar, sveda, värk, försämrad finmotorik, försämrad greppförmåga, att huden vitnar eller andra symtom när du använder maskinen – eller efter användning av maskinen – ska du sluta använda maskinen och kontakta läkare. Om du fortsätter att använda maskinen när sådana symtom uppstår ökar risken för att symtomen blir allvarliga och/eller permanenta.

Följande kan hjälpa dig att minska exponeringen för vibrationer:

- ▶ Låt verktyget göra jobbet. Håll inte hårdare i handtaget än vad som behövs för kontroll och säker drift.
- ▶ När slagmekanismen är aktiverad ska du inte ha någon annan kroppskontakt med maskinen än dina händer på handtagen. Du ska till exempel undvika att stödja någon del av kroppen mot maskinen eller luta dig mot maskinen för att försöka öka kraften. Det är dessutom viktigt att du inte håller trycket intryckt när du drar ur insatsverktyget ur arbetsytan.

- ▶ Se till att insatsverktyget är i bra skick, inte är utslitet och har rätt storlek. Insatsverktyg som inte underhålls på rätt sätt, som är utslitna eller som inte har rätt storlek gör att arbetsuppgifterna tar längre tid att utföra (vilket medför längre exponering för vibrationer) och kan resultera i eller bidra till ökad exponering för vibrationer.
- ▶ Sluta arbetet omedelbart om maskinen plötsligt börjar vibrera våldsamt. Leta rätt på och undanröj orsaken till de ökade vibrationerna innan du fortsätter arbetet.
- ▶ Använd det rekommenderade lufttrycket när du använder maskinen. Såväl högre som lägre lufttryck kan leda till ökade vibrationer.
- ▶ Du får aldrig ta tag i, hålla i eller vidröra arbetsverktyget medan du använder maskinen.
- ▶ Delta i hälsokontroller, medicinska undersökningar och utbildningsprogram när arbetsgivaren erbjuder det eller när lagen kräver det.

Se maskinens "*Buller- och vibrationsdeklaration*" i slutet av det här avsnittet, säkerhetsinstruktioner och bruksanvisning.

Faror vid maskinmodifieringar

⚠ Varning

Alla maskinmodifieringar som inte godkänts av Atlas Copco kan resultera i att du själv eller andra personer skadas allvarligt.

- ▶ **Maskinen får inte modifieras utan Atlas Copcos godkännande.**
- ▶ **Använd endast originaldelar och -tillbehör som godkänts av Atlas Copco.**

Ytterligare säkerhetsinstruktioner

- ▶ Maskiner och tillbehör får endast användas för det syfte de är avsedda för.
- ▶ Endast kvalificerad och utbildad personal får använda eller utföra underhåll på maskinen.
- ▶ Lär dig hur maskinen stängs av i händelse av nödfall.
- ▶ Det maximalt tillåtna lufttrycket för maskinen får inte överskridas.
- ▶ Släpp trycket omedelbart om tryckluftförsörjningen avbryts.
- ▶ Inspektera alltid utrustningen före användning. Använd inte utrustningen om du misstänker att den är skadad.
- ▶ Använd alltid ditt sunda förnuft och goda omdöme.
- ▶ Var uppmärksam och titta på vad du gör.
- ▶ Använd inte maskinen när du är trött eller påverkad av läkemedel, alkohol eller annat som kan påverka din syn, dina reaktioner eller ditt omdöme.
- ▶ Delta i säkerhetsutbildningar och andra utbildningar.
- ▶ Slå aldrig på utrustningen och missbruka den inte.
- ▶ Förvara maskinen och insatsverktygen på en säker plats som är låst och utom räckhåll för barn.
- ▶ Se till att all ansluten och tillhörande utrustning underhålls på rätt sätt.
- ▶ Skyltar och dekaler som är viktiga för din säkerhet och skötseln av maskinen följer med varje maskin. Se till att skyltarna alltid är läsbara. Nya skyltar och dekaler kan beställas med hjälp av reservdelslistan.
- ▶ Se till att obehörig personal inte kommer in på arbetsområdet.
- ▶ Håll arbetsplatsen ren och fri från främmande föremål.
- ▶ Rikta aldrig en tryckluftsslang mot dig själv eller någon annan. För att undvika skador ska du aldrig använda tryckluft för att blåsa bort t.ex. damm, smuts, m.m. från kläderna.

Skyddsutrustning

Använd alltid godkänd skyddsutrustning. Maskin-användarna och alla andra personer som vistas inom arbetsområdet måste bära skyddsutrustning som minst består av följande:

- ▶ Skyddshjälm
- ▶ Hörselskydd
- ▶ Slagtåliga skyddsglasögon med sidoskydd
- ▶ Andningsskydd, när detta behövs
- ▶ Skyddshandskar
- ▶ Skyddsskor

Service och underhåll

Regelbundet underhåll är en förutsättning för att maskinen ska kunna fortsätta vara säker och effektiv. Följ instruktionerna noggrant.

Innan något underhåll utförs på maskinen eller arbetsverktyget byts, måste man alltid stänga av tryckluftsförsörjningen och avlufta maskinen genom att aktivera start- och stoppanordningen. Koppla sedan bort luftslangen från maskinen.

- ▶ Använd bara originaldelar. Skador eller fel som orsakas genom användning av piratdelar täcks inte av garanti eller företagets produktansvar.
- ▶ Byt omedelbart ut skadade delar.
- ▶ Byt ut skadade och utslitna komponenter i god tid.
- ▶ Kontakta din närmaste auktoriserade verkstad för mer omfattande service av maskinen.
- ▶ Se till att du följer de gällande föreskrifterna för hälsa och säkerhet och att det finns tillfredsställande ventilation när du rengör de mekaniska delarna med lösningsmedel.

Arbetsverktyg

- ▶ Håll verktygen rena och i gott skick. Kontrollera regelbundet arbetsverktygen och se till att de är vassa och inte utslitna.

Observera! Maskinen kan förstöras om du använder fel arbetsverktyg.

BRUKSANVISNING

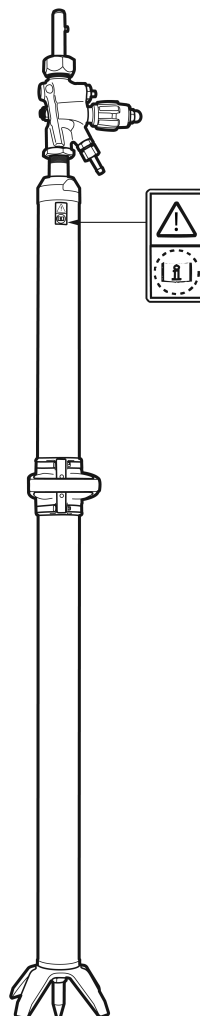
Konstruktion och funktion

Atlas Copco matarben typ ALF 72D, ALF 72D-1, BMK 62S och ALF 67/80D används med lätta bergborrar av typ BBD och RH. ALF 72D, ALF 72D-1 och ALF 67/80D används tillsammans med BBD 94W och är dubbelverkande med automatisk retur. BMK 62S används tillsammans med RH 656W och måste dras tillbaka manuellt. ALF 72D, ALF 72D-1, BMK 62S och ALF 67/80D är utrustade med en enstegscylinde. ALF 67/80D är utrustad med en tvåstegscylinde. Cylindrarna är gjorda i aluminium förutom BMK 62S som är gjord i stål. Matarbenen är anslutna till bergborren med en speciell fastsättningsanordning. Rekommenderat lufttryck är 6 bar.

Matarbenet hjälper operatören att lyfta och mata bergborren under borrhningen.

Skyltar och dekaler på maskinen

Skyltar och dekaler som är viktiga för din säkerhet och för skötseln av maskinen följer med varje maskin. Nya dekaler kan beställas med hjälp av reservdelslistan.



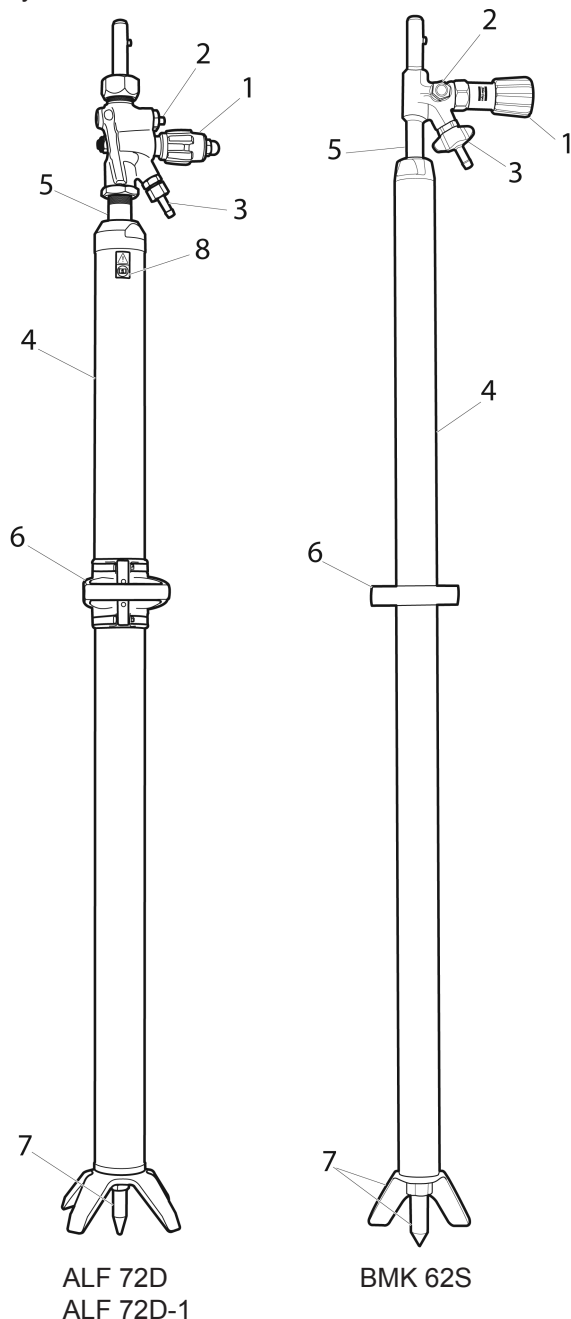
Skylten visar viktig information:

Varningssymbolen tillsammans med boksymbolen betyder att du måste läsa Säkerhetsinstruktion och bruksanvisning innan du använder maskinen.

Arbetsprincip för ett matarben

Funktion

Matarbenets matningsrörelse drivs med tryckluft som riktas mot kolvens undre sida och skjuter ut den ur cylindern. För automatisk återgång (ej BMK 62S) av kolvstången in i cylindern, riktas tryckluft mot kolvens övre del.



ALF 72D
ALF 72D-1

BMK 62S

1. Matningsreglage
2. Ventilpinne
3. Slangnippel (12,5 mm)
4. Matningscylinder
5. Kolvstång
6. Handtag
7. Spets med stöd
8. Varningsetikett

Förberedelser före start

1. Kontrollera borrutrustningen

- ▶ Kontrollera att all borrutrustning är i gott skick.
- ▶ Se till att luftintaget inte är tilltäppt.
- ▶ Se till att anslutningarna är täta och läckagesäkra.

⚠ Varning

Kontrollera alltid om det finns några skadade eller lösa slangar och anslutningar före användning. Snärtande slangar kan orsaka allvarliga personskador.

2. Blås ur luftslangen

- ▶ Varje dag innan borrar används ska luftslangen blåsas ur för att rengöra den från samlad smuts och fukt.

3. Fyll smörjapparaten med olja

Observera! Kontrollera att chucken och borrarstålsnacken alltid är täckta med en oljefilm.

Observera! Använd alltid ett rekommenderat smörjmedel.

Smörjmedel	Rekommendation
Luftverktygsolja	Använd en mineralbaserad luftverktygsolja.
	Omgivnings- Viskositet temperatur °C (ISO 3448)
	-30 till 0 ISO VG 32-68
	-10 till +20 ISO VG 68-100
	+10 till +50 ISO VG 100-150

4. Kalibrera rätt luft- och vattentryck

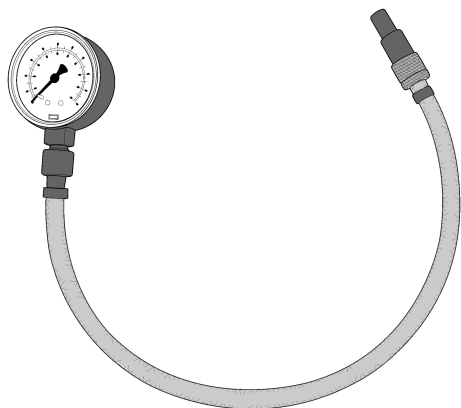
Använd tryckmanometern **Atlas Copco nr 9090 0550 80** för att kontrollera vatten- och lufttrycket när bergborren är igång.

Lufttryck

Se till att kompressorn kan leverera den luftvolym på 4–6 bar som verktyget kräver.

- ▶ **För högt tryck** ger ojämn gång och skador.
- ▶ **För lågt tryck** ger en långsam borrhastighet.

Vattentryck



Tryckmanometern är försedd med en nål som trycks in i slangen för att mäta trycket inuti.

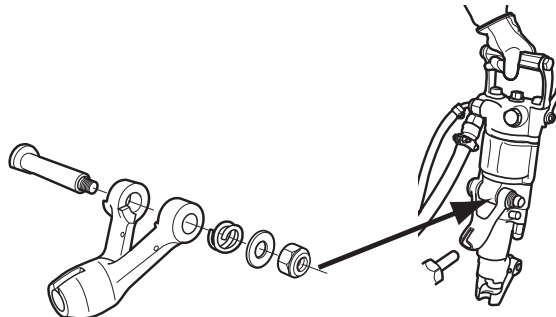
Observera! Se till att vattentrycket är minst 1 bar lägre än lufttrycket annars kan vattnet tränga in i slagmekanismen. Om exempelvis lufttrycket är 6 bar måste vattentrycket vara under 5 bar för att förhindra att vatten tränger in i slagmekanismen.

Anslutningsanordning

Det behövs en anslutningsanordning för att koppla matarbenet till bergborren.

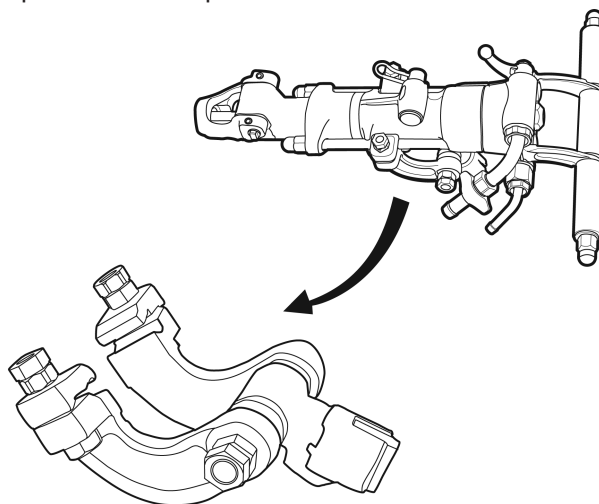
Bergborr BBD 94

Anslutning monteras mittpå bergborren.

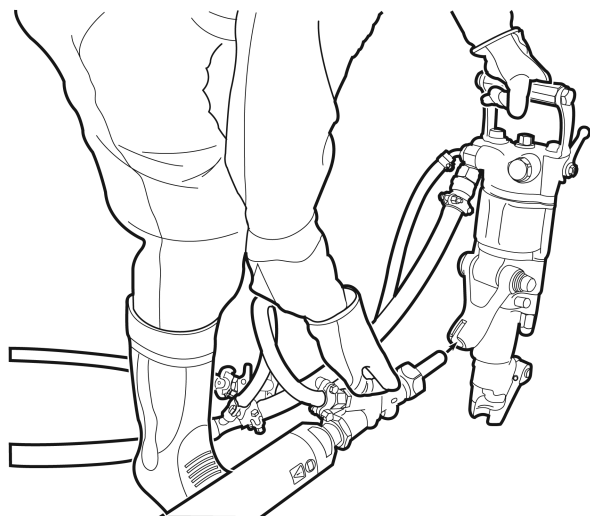


Bergborr RH 656 W

Anslutningen monteras på bergborren genom att spänna fast den på sidobultarna.



Ansluta matarbenet till bergborren



Matarbenet måste fästas på bergborren med bajonettkopplingen.

Reglage

Reglage till ALF 72D, ALF 72D-1 och ALF 67/80D

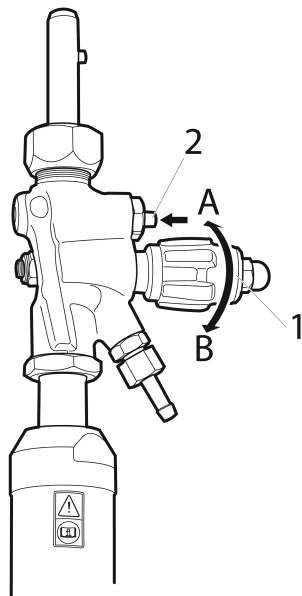
Matarbenets reglage (1)

Justera matningskraften med hjälp av reglaget på följande sätt:

Vrid det moturs (B) för att öka matningskraften.

Vrid det medurs (A) för att minska matningskraften.

När reglaget är stängt (A) avluftas matarbenet.



Ventilpinne (2)

När ventilpinnen trycks in upphör matningskraften omedelbart, utan hänsyn till matningsreglagets inställning. Denna funktion används exempelvis för att justera höjden på bergborren när matarbenet riggas upp eller när bergborren har en benägenhet att fastna.

När ventilpinnen trycks in dras kolvstången i matarbenet tillbaka automatiskt.

Reglage för BMK 62S

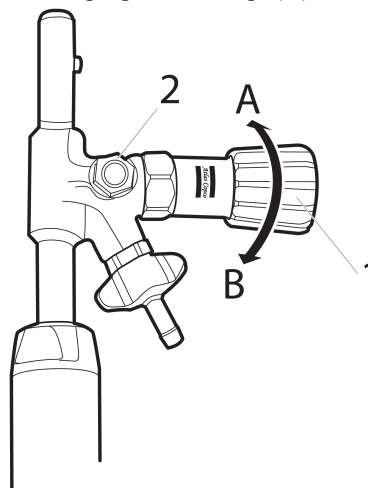
Matarbenets reglage (1)

Justera matningskraften med hjälp av reglaget på följande sätt:

Vrid det moturs (B) för att öka matningskraften.

Vrid det medurs (A) för att minska matningskraften.

När reglaget är stängt (A) avluftas matarbenet.

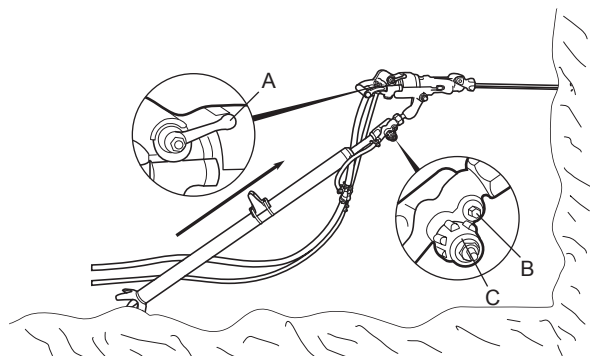


Ventilpinne (2)

När ventilpinnen trycks in upphör matningskraften omedelbart, utan hänsyn till matningsreglagets inställning. Denna funktion används exempelvis för att justera höjden på bergborren när matarbenet riggas upp eller när bergborren har en benägenhet att fastna.

Borrning

Starta bergborren



1. Öppna ventilen för tryckluft.
2. Justera matningsreglaget (C) för att få en lämplig matningskraft för ansättning av hålet.
3. Rikta in bergborren så att borrarstålet vidrör den önskade ansatspunkten.
4. Rör pådragsspaken (A) framåt lite grand för att starta vattenspolning, anslag och rotation.
5. Påbörja hålet med reducerad matningskraft.
6. För pådragsspaken (A) helt framåt när borrarstålet har fått ett bra fäste i stenblocket.
7. Justera matningskraften med reglaget (C) så att maximal penetrationshastighet uppnås.

Stoppa bergborren

1. Dra pådragsspaken (A) bakåt för att stoppa anslag, rotering och vattenspolning.
2. Vrid matningsreglaget (C) till stängt läge.

Ompositionering av matarbenet

1. Stäng av bergborrens anslag och spolning med pådragsspaken (A).
2. Tryck ner ventilpinnen (B) så dras kolvstången automatiskt in i matarbenets cylinder (manuellt på BMK 62S).
3. Ompositionering av matarbenet.
4. Frigör ventilpinnen (B) så åker kolvstången ut igen.
5. För pådragsspaken (A) framåt i arbetsläge.
6. Uppmärksamma att matningsreglaget (C) inte behöver röras under den här proceduren.

När du har borrar klart

Lägg ner bergborren på en sten, träplanka eller liknande, så att inte borkax eller annat främmande material kommer in i borbussningen.

Stäng av vattentrycket före lufttrycket. Kör bergborren några sekunder för att få bort vatten och fukt efter det att vattnet har stängts av.

Underhåll

Regelbundet underhåll är en förutsättning för maskinsäkerhet. Byt ut skadade och utslitna komponenter i god tid. Kontakta din närmaste auktoriserade verkstad för en mer omfattande service av maskinen.

Kontrollera maskinen och insatsverktygen med regelbundna intervall för att se om det finns något slitage eller några skador. Använd inte mycket utslitna eller skadade insatsverktyg.

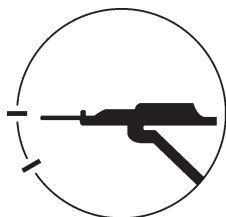
Se till att du följer de gällande föreskrifterna för hälsa och säkerhet och att det finns tillfredsställande ventilation när du rengör de mekaniska delarna med lösningsmedel.

Dagligt underhåll, regelbunden kontroll av slitdelar och utförande av reparationer i god tid förhindrar maskinhaverier och ökar maskinens livslängd.

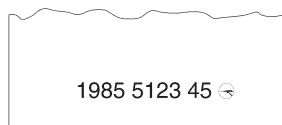
- ▶ Olja alltid in bergborren och matarbenet ordentligt innan du lägger undan dem för förvaring.
- ▶ Förvara på en ren och torr plats.
- ▶ Se till att inga främmande föremål tränger in i maskinen.
- ▶ Spola alltid över bergborren och matarbenet och torka dem rena efter användning.

Skillnader mellan originaldelar och kopior

När du köper en del är det första du ska göra att kontrollera att delen verkligen kommer från Atlas Copco. De flesta delar kan identifieras.



PNA



Delar till bergborrar är normalt märkta med ett artikelnummer och Atlas Copcos symbol som är en cirkel med en bergborr inuti. I vissa fall är delen märkt med enbart cirkeln eller enbart artikelnumret.

Delar i gummi och plast är normalt inte märkta.

Konkurrenter som kopierar våra delar märker ofta upp större och dyrare delar. Vissa delar har bara artikelnumret, men en del av dem har även en identitetsmarkering i form av tillverkarens initialer. Artikelnumren på kopiorna är för det mesta stämplade för hand vilket resulterar i oregelbundenheter. Artikelnumren som stämplas av Atlas Copco är regelbundna och de olika siffrorna är av samma storlek. Dessutom är djupet på siffrorna och avståndet mellan siffrorna i varje grupp detsamma.

En gång per skift (efter 8 timmars drift)

1. Kontrollera bergborrens anslutning till matarbenet.
2. Kontrollera slangar, kopplingar och reglage för att se om det finns några läckor eller skador.
3. Kontrollera att bergborren och matarbenet får tillräckligt med smörjning. Fyll smörjapparaten vid behov.
4. Töm vattenavskiljaren.

En gång i veckan (efter 40 timmars drift)

- Utför en grundläggande kontroll av borrarutrustningens alla funktioner.

Skrotning och avfallshantering

Använda och utslitna maskiner måste skrotas på ett sådant sätt att så mycket som möjligt av materialet kan återvinnas, så att påverkan på miljön minimeras.

Felsökning

Grundläggande felsökningsguide

Problem	Orsak	Lösning
Otillräcklig matningskraft	Lågt lufttryck	Öka lufttrycket till 6 bar.
	Ventil 3121 0726 80 har fastnat eller packning 0663 2124 00 är utsliten (endast ALF-modeller).	Demontera och rengör ventilen om nödvändigt. Byt ut packningen om den är sliten eller deformerad.
	Kolvstångens packning sliten eller deformerad.	Byt ut packningen

¹ För slitagegränser och åtdragningsmoment, se serviceinformationen för lätta bergborrar, Atlas Copco dokument nr 9853 1086 01.

² Tolk för borbussning för 22 mm (7/8") sexkantsnacke, Atlas Copco nr 3091 0038 00.

³ Använd tryckmanometer Atlas Copco nr 9090 0550 80 för att testa vatten- och lufttrycket.

Tillbehör

Tillbehör	Ordernummer
Smörjapparat för BBC, BBD, RH:	
BLG 30, för mineralolja	8202 5102 05
CLG 30, för både mineralolja och syntetisk olja	8202 5102 39
Vattenavskiljare för BBC, BBD, RH:	
VAM 5A, för luftflöde upp till 120 l/s (254 cfm)	8092 0110 82
Luftledningstillbehör för 25 mm (1")	
Gummislang, 30 m	9030 2041 00
Klokoppling	9000 0313 00
Tvådelad slangklämma	9000 0197 00
Tryckmanometer för tryckluft och vattentryck	
Manometer	9090 0550 80
Extra uppsättning nålar	9090 0678 90
Tryckluftsslang 25 mm (1") för bergborr och matning, försedd med kopplingar för:	
BBD 94W tillsammans med ALF 72D, ALF 72D-1 och ALF 67/80D	9030 2068 00
Tryckluftsslang 20 mm (3/4") för bergborr och matarben, förmonterad med kopplingar för:	
RH 656W tillsammans med BMK 62S	9030 2067 00
Vibrationshandskar	
Storlek L	9800 0434 01
Storlek XL	9800 0435 01

Tekniska specifikationer

Typ	Ordernummer	Lämplig för bergborr	Matning längd (mm)	Längd indragen (mm)	Längd utdragen (mm)	Vikt (kg)	Cylinderlopp (mm)
<i>Enkelt teleskop</i>							
ALF 72D	8321 0201 80	BBD 94W	1300	1970	3270	19	70
ALF 72D-1	8321 0201 81	BBD 94W	1200	1830	3030	16	70
BMK 62S	8321 0102 02	RH 656W	1300	1815	3115	17	53
<i>Dubbelt teleskop</i>							
ALF 67/80D	8321 0201 69	BBD 94W	1855	1595	3450	19	67/80



Any unauthorized use or copying of the contents or any part thereof is prohibited.
This applies in particular to trademarks, model denominations, part numbers and drawings.