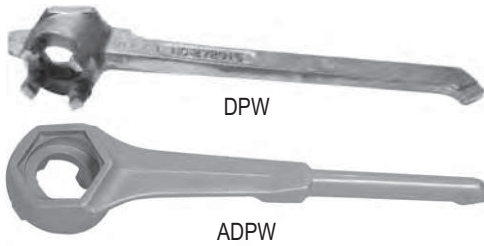


Drum Plug Wrenches



- sparkproof, natural finish is safe around flammables
- offset handle design reduces user stress and minimizes knuckle injury

Bronze		Aluminum	
Part #	Price/E	Part #	Price/E
DPW	\$103.30	ADPW	\$41.75

Drum Faucets

Polyethylene Drum Faucets



- Faucets are *not* to be used in applications where temperatures exceed **140°F (60°C)**.
- no wrench needed for screwing into drum opening
- 2" faucet is shipped with a gasket; the 3/4" does not require a gasket

NPT Size	Gold Polyethylene	
	Part #	Price/E
3/4"	PEDF75	\$10.50
2"	PEDF200	56.75

Stainless Heavy Duty Adjustable Drum Faucet



- 3/4" NPT connection
- adjustable shank is designed to easily adjust to proper drain position after installing in drum
- Teflon® gasket

Stainless Steel	
Part #	Price/E
HDSSF75	\$554.00

Brass Heavy Duty Adjustable Drum Faucet



- 3/4" NPT connection
- easy to use, self-closing design

Brass	
Part #	Price/E
AHDBF75	\$225.40

Brass Heavy Duty Drum Faucet with Rigid Shank



- 3/4" NPT connection
- easy to use, self-closing design
- Teflon® gasket

Brass	
Part #	Price/E
HDBF75	\$179.95

Compression Bibb Faucets



- rough brass finish
- nozzle end is GHT
- *for water use only*

Male NPT Inlet Size	Brass	
	Part #	Price/E
1/2"	35-201-10	\$28.70
3/4"	35-202-10	28.70

Drum Thread Adapter

- for use in gravity discharge from drums
- The male NPSH thread with gasket on the drum side allows for a connection to drums with female NPSH thread.
- The male NPT end allows for a connection with the female NPT found on most ball valves.



Size	Cast Brass	
	Part #	Price/E
2" x 2"	DMH20DR20	\$64.50

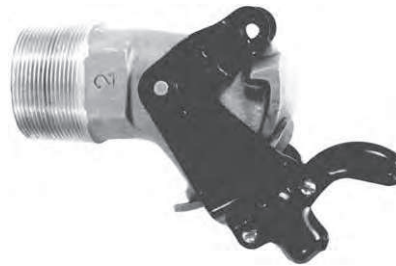
Drum Gate Valves

- iron body
- male NPT
- manually operated
- ideal for drawing non-flammable liquids from drums and tanks
- Machined and lapped brass faceplate designed for oval discharge to ensure no splashing and smooth operation.
- black Japanned finish
- can be padlocked



NPT Size	Iron	
	Part #	Price/E
3/4"	D71	\$87.00
2"	D75	117.00

- male NPT
- Lightweight, durable aluminum body provides improved corrosion resistance for certain fluids.
- Sturdy 2" handle is stamped metal with black enamel finish.
- can be padlocked



NPT Size	Aluminum	
	Part #	Price/E
2"	D75AL	\$169.00

Self-Closing Gate Valves

- male NPT
- Features a gray iron body, brass sliding gate and machine lapped sealing surface.
- Gate closes automatically when handle is released, cleaning discharge surface.
- Ideal for dispensing viscous liquids such as oil, grease paint, varnish and syrups from drums and tanks.
- can be padlocked



NPT Size	Iron	
	Part #	Price/E
3/4"	D71SC	\$137.00
2"	D75SC	339.00

Gate Valves



- rated **200 PSI** non-shock cold water, oil or gas
- female NPT threaded ends
- threaded bonnet
- integral seat
- adjustable packing nut
- non-rising stem
- solid wedge disc
- iron handwheel
- 100% factory tested

NPT Size	Brass		316 Stainless Steel	
	Part #	Price/E	Part #	Price/E
1/4"	BGV25	\$19.60	---	---
3/8"	BGV38	19.60	---	---
1/2"	BGV50	19.60	SSGV50	\$125.15
3/4"	BGV75	26.60	SSGV75	148.80
1"	BGV100	39.75	SSGV100	186.00
1-1/4"	BGV125	56.00	SSGV125	255.35
1-1/2"	BGV150	71.20	SSGV150	339.90
2"	BGV200	106.00	SSGV200	419.35
2-1/2"	BGV250	202.00	---	---
3"	BGV300	270.00	---	---
4"	BGV400	430.00	---	---



- Class 800
- ASTM A105, ANSI B120.1
- bolted bonnet
- female threaded ends
- rated to **1975 PSI**
- temperature: **800°F**
- can be used for steam service

NPT Size	Forged Steel	
	Part #	Price/E
1/2"	FSGV50	\$114.35
3/4"	FSGV75	120.35
1"	FSGV100	166.55
1-1/4"	FSGV125	300.90
1-1/2"	FSGV150	311.50
2"	FSGV200	395.20

Globe Valves



- Class 800
- ASTM A105, ANSI B120.1
- bolted bonnet
- female threaded ends
- rated to **1975 PSI**
- temperature: **800°F**
- can be used for steam service

NPT Size	Forged Steel	
	Part #	Price/E
1/2"	FSGLBV50	\$158.50
3/4"	FSGLBV75	172.55
1"	FSGLBV100	228.70
1-1/4"	FSGLBV125	413.25
1-1/2"	FSGLBV150	423.25
2"	FSGLBV200	523.55

Check Valves



- Class 800
- ASTM A105, ANSI B120.1
- bolted bonnet
- female threaded ends
- rated to **1975 PSI**
- temperature: **800°F**
- can be used for steam service

NPT Size	Forged Steel	
	Part #	Price/E
1/2"	FSCV50	\$128.40
3/4"	FSCV75	144.45
1"	FSCV100	202.60
1-1/4"	FSCV125	353.05
1-1/2"	FSCV150	375.10
2"	FSCV200	451.35

Domestic Gate Valves**New
for 2012**

- Class 150
- rated **300** PSI cold working pressure, **150** PSI steam working pressure
- female threaded ends
- union bonnet
- ASME B1.20.1
- Grafoil® packing
- rising stem
- solid disc
- malleable iron handwheel
- 100% factory tested
- temperature range: -20°F to 406°F



NPT Size	Brass	
	Part #	Price/E
½"	DBGV50	\$110.80
¾"	DBGV75	131.55
1"	DBGV100	166.15
1¼"	DBGV125	256.15
1½"	DBGV150	315.65
2"	DBGV200	383.50

Domestic Globe Valves**New
for 2012**

- Class 150
- rated **300** PSI cold working pressure, **150** PSI steam working pressure
- female threaded ends
- union bonnet
- ASME B1.20.1
- Grafoil® packing
- PTFE disc
- malleable iron handwheel
- 100% factory tested



NPT Size	Brass	
	Part #	Price/E
½"	DGLBV50	\$150.95
¾"	DGLBV75	202.10
1"	DGLBV100	317.00
1¼"	DGLBV125	505.30
1½"	DGLBV150	613.30
2"	DGLBV200	920.60

Domestic Swing Check Valves**New
for 2012**

- Class 150
- rated **300** PSI cold working pressure, **150** PSI steam working pressure
- female threaded ends
- ASME B1.20.1
- metal seat
- 100% factory tested
- temperature range: -20°F to 406°F



NPT Size	Brass	
	Part #	Price/E
½"	DSCV50	\$135.65
¾"	DSCV75	164.75
1"	DSCV100	221.55
1¼"	DSCV125	293.50
1½"	DSCV150	380.70
2"	DSCV200	569.00

Full Flow Ball Valves

- high flow rate; low pressure drop
- wetted parts are aluminum and stainless steel
- seals are FPM (Viton® and PTFE Teflon®)
- spindle can be disassembled even when ball valve is installed
- working pressure: **150 PSI** at ambient temperature (70°F)
- available in 2", 3" and 4" in standard flow and two-way flow
- standard valve ports - female NPT, socket weld for Schedule 40 pipe and grooved
- optional ports include DN flange, butt weld and 150# flange
- two ports - one inlet and one outlet

One-Way Full Flow Ball Valves / Female NPT ends



Size	Aluminum	
	Part #	Price/E
2"	1WAYBV200	\$743.75
3"	1WAYBV300	1005.00
4"	1WAYBV400	1484.00

One-Way Full Flow Ball Valves / Socket Weld Ends to Schedule 40 Pipe



Size	Bore	Aluminum	
		Part #	Price/E
2"	2.390"	1WAYBV200SW	\$816.50
3"	3.530"	1WAYBV300SW	1085.75

One-Way Full Flow Ball Valves / Grooved Ends



Size	Aluminum	
	Part #	Price/E
2"	1WAYBV200VIC	\$1005.00
3"	1WAYBV300VIC	1328.60

Full Flow Ball Valves

- high flow rate; low pressure drop
- wetted parts are aluminum and stainless steel
- seals are FPM (Viton® and PTFE Teflon®)
- spindle can be disassembled even when ball valve is installed
- working pressure: **150 PSI** at ambient temperature (70°F)
- available in 2", 3" and 4" in standard flow and two-way flow
- standard valve ports - female NPT, socket weld for Schedule 40 pipe and grooved
- optional ports include DN flange, butt weld and 150# flange
- three ports - one inlet and two outlets, valve directs the flow from the inlet to either of the two outlets
- commonly used for switching compartments or tanks

Two-Way Full Flow Ball Valves / Female NPT ends

Size	Aluminum	
	Part #	Price/E
2"	2WAYBV200	\$1070.00
3"	2WAYBV300	1357.00
4"	2WAYBV400	2946.00



Two-Way Full Flow Ball Valves / Socket Weld Ends to Schedule 40 Pipe

Size	Bore	Aluminum	
		Part #	Price/E
2"	2.390"	2WAYBV200SW	\$1140.00
3"	3.530"	2WAYBV300SW	1464.25



Two-Way Full Flow Ball Valves / Grooved Ends

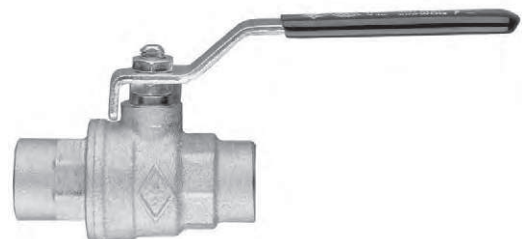
Size	Aluminum	
	Part #	Price/E
2"	2WAYBV200VIC3	\$1490.00
3"	2WAYBV300VIC3	1875.25



Solder End Brass Ball Valves

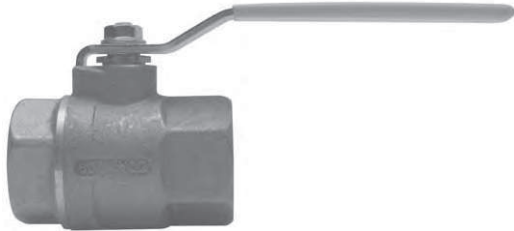
- Designed for the best protection against potential gas leakage under extreme duty or low pressure applications.
- rated to **600 PSI WOG**; **150 PSI Working Steam Pressure**
- maximum temperature **366°F**
- Underwriters Listed
- full port
- brass body
- blow-out proof stem
- chrome-plated brass ball
- adjustable stem packing nut
- PTFE seats, seals, and thrust washer

Size	Port Type	Brass	
		Part #	Price/E
½"	full	FBV50SE	\$23.65
¾"	full	FBV75SE	32.25
1"	full	FBV100SE	47.50
1¼"	full	FBV125SE	85.65
1½"	full	FBV150SE	125.55
2"	full	FBV200SE	175.80



Domestic Brass Ball Valves

- for control of air, water, oil and gas in hose or pipe lines for other services, please contact the factory
- rated to **600 PSI WOG**; **150 PSI** saturated steam
- brass valve bodies, balls and stems
- blow-out proof stems
- glass-filled reinforced Teflon® seats and stuffing box ring; stem seals and washers



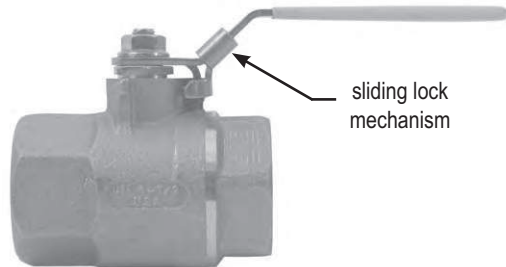
- plated steel handles and nuts with vinyl sleeves, full port and standard port valves are both repairable
- 1/4" - 1/2" full port; 3/4" - 3" standard port
- meets WW-V 35C, Type II Composition
- ball valve handle replacements available, consult Dixon for pricing.

female NPT x female NPT

Size	Port Type	Brass	
		Part #	Price/E
1/4"	full	BBV25	\$31.85
3/8"	full	BBV38	31.85
1/2"	full	BBV50	31.85
3/4"	standard	BBV75	52.55
1"	standard	BBV100	66.20
1-1/4"	standard	BBV125	111.10
1-1/2"	standard	BBV150	141.95
2"	standard	BBV200	177.80
2 1/2"	standard	BBV250	846.30
3"	standard	BBV300	1025.25

Locking Handle Brass Ball Valves

- for control of air, water, oil and gas in hose or pipe lines for other services, please contact the factory
- rated to **600 PSI WOG**; **150 PSI** saturated steam
- blow-out proof RPTFE stem
- chrome-plated brass ball



- Stainless steel sliding lock mechanism secures handle in open or closed position; can be padlocked opened or closed.
- plated steel handles and nuts with vinyl sleeves, full port and standard port valves are both repairable
- 1/4" - 1/2" full port; 3/4" - 2" standard port

female NPT x female NPT

Size	Port Type	Brass	
		Part #	Price/E
1/4"	full	BBLV25	\$41.80
3/8"	full	BBLV38	41.80
1/2"	full	BBLV50	41.80
3/4"	standard	BBLV75	62.40
1"	standard	BBLV100	76.00
1-1/4"	standard	BBLV125	120.85
1-1/2"	standard	BBLV150	151.65
2"	standard	BBLV200	187.45

Domestic Full Port Ball Valves

- machined solid chrome-plated ball
- multi-fill PTFE seats and seals
- adjustable packing
- blow-out proof stem design
- bronze castings
- full port
- vacuum service to 29 inches Hg
- rated to **600 PSI WOG**; **150 PSI** saturated steam



female NPT x female NPT

Size	Port Type	Bronze	
		Part #	Price/E
3/4"	full	BBV75FP	\$49.85
1"	full	BBV100FP	63.00
1-1/4"	full	BBV125FP	146.90
1-1/2"	full	BBV150FP	194.85
2"	full	BBV200FP	335.70

Imported Brass Ball Valves

- for control of air, water, oil and gas in hose or pipe lines for other services, please contact Dixon
- rated to **600 PSI WOG**; **150 PSI Working Steam Pressure**
- forged brass bodies
- blow-out proof stems
- PTFE seats, seals and thrust washers
- chrome-plated brass balls and plated steel handles
- full port
- maximum temperature **366°F**

- Underwriters Listed for 1/4" through 4" full port valves
- NSF61 approved



female NPT x female NPT



Size	Port Type	Brass	
		Part #	Price/E
1/4"	full	FBV25	\$18.15
3/8"	full	FBV38	18.15
1/2"	full	FBV50	22.25
3/4"	full	FBV75	31.70
1"	full	FBV100	47.15
1 1/4"	full	FBV125	82.10
1 1/2"	full	FBV150	121.45
2"	full	FBV200	172.20

female NPT x female NPT



Size	Port Type	Brass	
		Part #	Price/E
2 1/2"	full	FBV250	\$379.55
3"	full	FBV300	543.20
4"	full	FBV400	897.60

female NPT x female NPT with locking handle



Size	Port Type	Brass	
		Part #	Price/E
1/2"	full	FBVL50	\$33.15
3/4"	full	FBVL75	42.35
1"	full	FBVL100	59.25
1 1/4"	full	FBVL125	98.70
1 1/2"	full	FBVL150	138.25
2"	full	FBVL200	198.05

Size	Port Type	Brass	
		Part #	Price/E
2 1/2"	full	FBVL250	\$441.90
3"	full	FBVL300	610.05
4"	full	FBVL400	1015.25

female NPT x female NPT



Size	Port Type	Brass	
		Part #	Price/E
1/2"	standard	BV50	\$17.20
3/4"	standard	BV75	20.85
1"	standard	BV100	28.90
1 1/4"	standard	BV125	44.80
1 1/2"	standard	BV150	59.95
2"	standard	BV200	88.75

- for control of air, water, oil and gas in hose or pipe lines for other services, please contact Dixon
- rated to **600 PSI WOG**; **150 PSI Working Steam Pressure**
- forged brass bodies
- blow-out proof stems
- PTFE seats, seals and thrust washers
- chrome-plated brass balls and plated steel handles
- standard port
- maximum temperature **366°F**



Valves

Global Brass Ball Valves

- for water and air only
- 1/4" - 3/8" rated to **365 PSI**; 1/2" - 2" rated to **600 PSI**

- body: forged brass
- maximum temperature **248°F (120°C)**

female NPT x female NPT

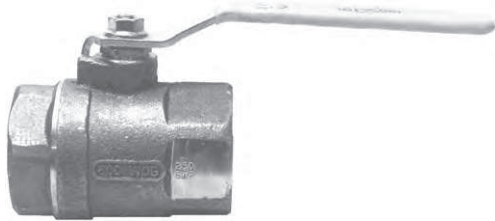
Size	Port Type	Brass	
		Part #	Price/E
1/4"	full	FBVG25	\$7.50
3/8"	full	FBVG38	7.50
1/2"	full	FBVG50	11.80
3/4"	full	FBVG75	16.60
1"	full	FBVG100	27.25
1 1/4"	full	FBVG125	42.00
1 1/2"	full	FBVG150	59.00
2"	full	FBVG200	90.00

new



250 Lb. Steam Ball Valves

- recommended for use with fluids with widely varying temperatures and/or thermal expansion rates
- rated to **600 PSI**; **250 PSI** saturated steam
- vacuum service to 29 inches Hg
- threaded bronze valve
- 316 stainless steel ball and stem
- blow-out proof stem design
- multi-fill RPTFE seats
- multi-fill stuffing box ring
- high temperature MTFE stem packing
- adjustable packing gland
- ½" full port; ¾" - 2" standard port
- maximum temperature rating **406°F**



female NPT x female NPT

Size	Port Type	Bronze	
		Part #	Price/E
½"	full	BBV50ST	\$69.85
¾"	standard	BBV75ST	112.55
1"	standard	BBV100ST	132.10
2"	standard	BBV200ST	366.65

"Deadman" Spring Return Handle Ball Valves

Bronze

- rated to **600 PSI** WOG; **150 PSI** saturated steam
- vacuum service to 29 inches Hg
- stainless steel lever
- chromium plated ball
- RTFE seats and stuffing box ring
- blow-out proof stem design
- adjustable packing gland
- ½" full port; ¾" - 2" standard port
- spring return closes valve when not held open
- operating torque approximately three times standard valve torque



female NPT x female NPT

Size	Port Type	Bronze	
		Part #	Price/E
½"	full	BBV50SR	\$233.90
¾"	standard	BBV75SR	262.10
1"	standard	BBV100SR	280.00
1½"	standard	BBV150SR	430.40
2"	standard	BBV200SR	506.30

316 Stainless Steel

- rated to **2000 PSI** WOG ½" to 1"; **1500 PSI** WOG 1¼" to 2"
- **150 PSI** saturated steam, all sizes
- vacuum service to 29 inches Hg, all sizes
- PTFE seals
- blow-out proof stem design
- adjustable packing gland
- ½" full port; ¾" - 2" standard port
- spring return closes valve when not held open
- operating torque approximately three times standard valve torque

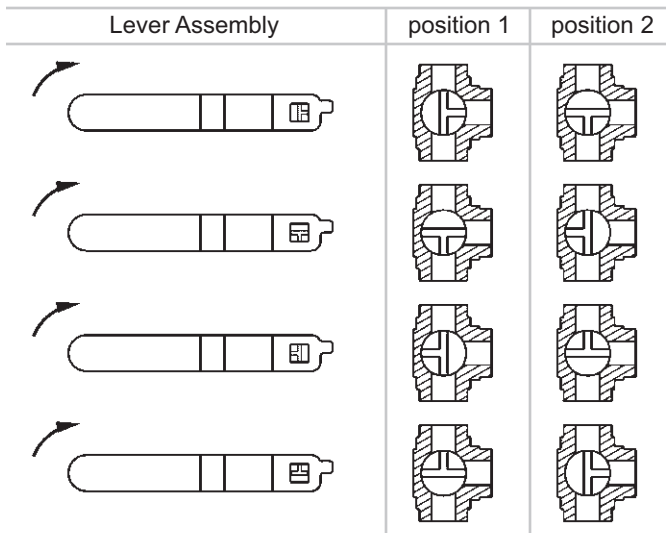


female NPT x female NPT

Size	Port Type	316 Stainless Steel	
		Part #	Price/E
½"	full	SSBV50SR	\$264.35
¾"	standard	SSBV75SR	342.20
1"	standard	SSBV100SR	384.65
1¼"	standard	SSBV125SR	626.30
1½"	standard	SSBV150SR	676.00
2"	standard	SSBV200SR	838.60

3-Way Diverting Ball Valves

T Flow Pattern



- rated to **400 PSI** WOG; **100 PSI** saturated steam
- brass body
- blow-out proof stem
- chrome plated brass ball
- PTFE seats, seals, and thrust washer
- adjustable stem packing
- standard port
- maximum temperature: **344°F**

female NPT x female NPT x female NPT

Size	Port Type	Brass	
		Part #	Price/E
1/2"	standard	BBV50DTW	\$108.50
3/4"	standard	BBV75DTW	119.80
1"	standard	BBV100DTW	183.65
1 1/4"	standard	BBV125DTW	269.10
1 1/2"	standard	BBV150DTW	409.35
2"	standard	BBV200DTW	668.55

Note: 1/4 turn handle can be adjusted to any orientation. Notches on the valve stem reflect the three openings on the ball.

3-Way Diversion Ball Valves

L Flow Pattern

- can be used with gasoline and diesel fuel
- rated to **400 PSI** WOG
- bronze body
- blow-out proof stem
- chromium-plated ball
- RPTFE seats and stuffing box ring
- stainless steel handle and nut with vinyl sleeve
- adjustable packing gland
- 1/2" full port; 3/4" and 1" standard port

female NPT x female NPT x female NPT

Size	Port Type	Bronze	
		Part #	Price/E
1/2"	full	BBV50TW¹	\$64.60
3/4"	standard	BBV75TW	89.15
1"	standard	BBV100TW	118.10

¹ carbon steel handle and nut with vinyl sleeve

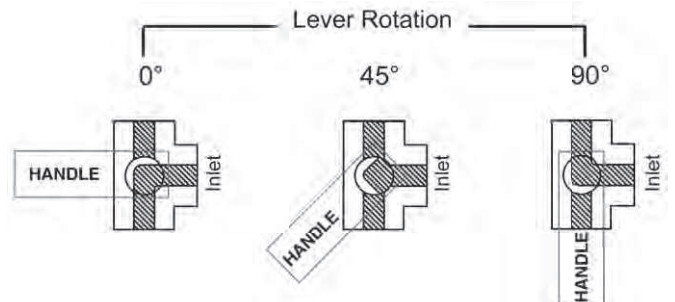
- rated to **800 PSI** WOG
- stainless steel body and ball
- blow-out proof stem
- RPTFE seats and stuffing box ring
- stainless steel handle and nut with vinyl sleeve
- adjustable packing gland
- 1/2" full port; 3/4" and 1" standard port
- meets NACE MR-01-75

female NPT x female NPT x female NPT

Size	Port Type	Stainless Steel	
		Part #	Price/E
1/2"	full	SSBV50TW	\$283.15
3/4"	standard	SSBV75TW	340.00
1"	standard	SSBV100TW	471.75



© Valves



Brass Ball Valves

- for air service only
- rated to **600 PSI**
- Lockable ball valves vent downstream air in accordance with OSHA regulation 1910.147 for pneumatic systems.
- ½" full port; ¾" - 1" standard port



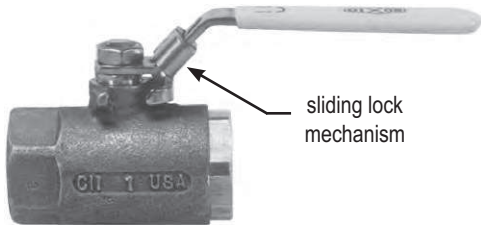
- brass valve
- chromium plated ball
- RTFE seats and stuffing box ring
- blow-out proof stem design
- adjustable packing gland

female NPT x male NPT

Size	Port Type	Brass	
		Part #	Price/E
1/2"	full	BMV50	\$38.50
3/4"	standard	BMV75	61.30
1"	standard	BMV100	87.50

Safety Vented Ball Valves

- for air service only
- rated to **600 PSI**
- Lockable ball valves vent downstream air in accordance with OSHA regulation 1910.147 for pneumatic systems.
- ¼" - ½" full port; ¾" - 2" standard port



sliding lock mechanism

- brass valve
- chromium plated ball
- RTFE seats and stuffing box ring
- blow-out proof stem design
- adjustable packing gland

female NPT x female NPT

Size	Port Type	Brass	
		Part #	Price/E
1/4"	full	BBV25LV	\$46.85
3/8"	full	BBV38LV	46.85
1/2"	full	BBV50LV	46.85
3/4"	standard	BBV75LV	67.60
1"	standard	BBV100LV	86.30
1-1/4"	standard	BBV125LV	136.40
1-1/2"	standard	BBV150LV	167.15
2"	standard	BBV200LV	202.90

Bronze Ball Valve with NPT Tap for Drain



- recommended for water and air service
- rated to **125 PSI WOG**
- brass ball valves vent downstream air in accordance with OSHA regulations for pneumatic systems
- chromium plated ball
- RTFE seats and stuffing box ring
- blow-out proof stem design
- adjustable packing gland
- full port
- auto-drain / auto-vent
- A ¼" NPT tapped port provides additional options such as an air venting elbow or noise muffler.

female NPT x female NPT

Size	Port Type	Bronze	
		Part #	Price/E
1/4"	full	BBV25VT	\$49.75
3/8"	full	BBV38VT	49.75
1/2"	full	BBV50VT	49.75
3/4"	full	BBV75VT	100.60
1"	full	BBV100VT	141.00

Dual Y Valves

- dual action valve, ideal for compressor applications
- female NPT threads
- non-vented rated to **600 PSI WOG**
- vented rated to **125 PSI** Cold Working Pressure



Non-Vented

Female NPT Inlet (1)	Female NPT Outlet (2)	Brass	
		Part #	Price/E
1"	3/4"	BBV100DW	\$146.35
1 1/4"	3/4"	BBV125DW	146.35

Vented

Female NPT Inlet (1)	Female NPT Outlet (2)	Brass	
		Part #	Price/E
1"	3/4"	BBV100DWV	\$146.35
1 1/4"	3/4"	BBV125DWV	146.35

Mini Ball Valves



- rated to **450 PSI**
- nickel plated brass body
- Teflon® seats and Buna-N stem seal
- blow-out proof stem

- 1/4" and 3/8" full port; 1/8" and 1/2" standard port
- maximum temperature **330°F**
- American Gas Association and Canadian Gas Association approved

female NPT x female NPT

Size	Port Type	Brass	
		Part #	Price/E
1/8"	standard	MBV12	\$13.40
1/4"	full	MBV25	13.40
3/8"	full	MBV38	12.45
1/2"	standard	MBV50	18.30



Carbon Steel Ball Valves

- for control of air, water, oil and gas in hose or pipe lines, for other services, please contact the factory
- rated to **150 PSI** saturated steam
- 1/4" - 1" rated to **2000 PSI**; 1 1/4" - 2" rated to **1500 PSI**
- carbon steel body

- chromium plated ball
- RPTFE seats and seals
- blow-out proof stem
- adjustable packing gland
- 1/4" and 3/8" full port; 1/2" - 2" standard port

female NPT x female NPT

Size	Port Type	Carbon Steel	
		Part #	Price/E
1/4"	full	IBV25	\$58.35
3/8"	full	IBV38	58.35
1/2"	standard	IBV50	58.35
3/4"	standard	IBV75	67.30
1"	standard	IBV100	89.95
1-1/4"	standard	IBV125	137.20
1-1/2"	standard	IBV150	190.00
2"	standard	IBV200	246.75



Valves

High Pressure Full-Bore Ball Valves

- blow out proof stem
- rugged construction
- Viton® shaft seals
- female thread

female x female

Size	PSI	Carbon Steel				PSI	316 Stainless Steel	
		NPTF Part #	Price/E	SAE Part #	Price/E		NPTF Part #	Price/E
1/4"	7350	HPBV25	\$63.90	HPBV25SAE	\$71.65	7250	HPBV25SS	\$427.50
3/8"	7350	HPBV38	67.80	HPBV38SAE	80.70	7250	HPBV38SS	497.50
1/2"	7350	HPBV12	73.70	HPBV12SAE	87.10	7250	HPBV12SS	595.00
3/4"	5880	HPBV34	145.05	HPBV34SAE	162.20	5800	HPBV34SS	1027.90
1"	5145	HPBV10	173.10	HPBV10SAE	190.00	5075	HPBV10SS	1212.80
1 1/4"	5880	HPBV125	452.90	HPBV125SAE	490.20	---	---	---
1 1/2"	5880	HPBV150	548.90	HPBV150SAE	583.00	---	---	---
2"	5880	HPBV200	831.00	HPBV200SAE	870.00	---	---	---



Stainless Steel Ball Valves**Full Port**

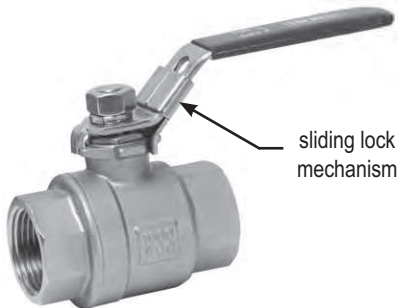
- for use in water, oil and gas
- 1/4" - 2" rated to **1000 PSI WOG (CWP)**; 2 1/2" - 3" rated to **800 PSI WOG (CWP)**; **100 PSI** saturated steam
- 316 stainless steel body, ball and stem
- Teflon® seat, joint gasket and thrust washer
- plastic cover on handle
- blow-out proof stem design
- full port
- temperature range **-20°F to 450°F**

**female NPT x female NPT**

Size	Port Type	316 Stainless Steel	
		Part #	Price/E
1/4"	full	SSBV25	\$39.50
3/8"	full	SSBV38	42.00
1/2"	full	SSBV50	44.00
3/4"	full	SSBV75	63.00
1"	full	SSBV100	84.00
1-1/4"	full	SSBV125	121.00
1-1/2"	full	SSBV150	161.00
2"	full	SSBV200	220.00
2-1/2"	full	SSBV250	495.00
3"	full	SSBV300	690.00

Full Port, Locking Handle

- for use in water, oil and gas
- 1/4" - 2" rated to **1000 PSI WOG (CWP)**; 2 1/2" - 3" rated to **800 PSI WOG (CWP)**; **100 PSI** saturated steam
- 316 stainless steel body, ball and stem
- Teflon® seat, joint gasket and thrust washer
- plastic cover on handle
- blow-out proof stem design
- full port
- temperature range **-20°F to 450°F**
- lockable



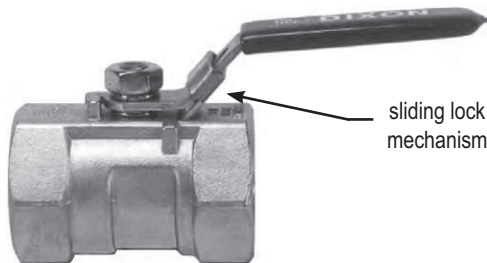
sliding lock mechanism

female NPT x female NPT

Size	Port Type	316 Stainless Steel	
		Part #	Price/E
1/4"	full	SSLBV25	\$43.00
3/8"	full	SSLBV38	44.00
1/2"	full	SSLBV50	48.00
3/4"	full	SSLBV75	70.00
1"	full	SSLBV100	90.00
1-1/4"	full	SSLBV125	129.00
1-1/2"	full	SSLBV150	171.00
2"	full	SSLBV200	236.00
2 1/2"	full	SSLBV250	510.00
3"	full	SSLBV300	750.00

Reduced Port, Locking Handle

- for use in water, oil and gas
- rated to **800 PSI WOG**; **100 PSI** saturated steam
- 316 stainless steel body, ball and stem
- Teflon® seat, joint gasket and thrust washer
- plastic cover on handle
- blow-out proof stem design
- reduced port
- temperature range **-20°F to 450°F**
- lockable



sliding lock mechanism

female NPT x female NPT

Size	Port Type	316 Stainless Steel	
		Part #	Price/E
1/4"	reduced	SSLBV25SP	\$37.50
3/8"	reduced	SSLBV38SP	41.00
1/2"	reduced	SSLBV50SP	45.00
3/4"	reduced	SSLBV75SP	61.00
1"	reduced	SSLBV100SP	86.00
1-1/4"	reduced	SSLBV125SP	110.00
1-1/2"	reduced	SSLBV150SP	155.00
2"	reduced	SSLBV200SP	210.00

Stainless Steel 3-Piece Ball Valves

Full Port

- 15% glass reinforced RTFE seats
- swing-out design for easy maintenance
- ISO 5211 mounting pad
- 316 stainless steel stem
- CF8M body and ball
- live-loaded stem packing using Belleville washers
- full port
- temperature range: **-40°F to 400°F**

female NPT x female NPT

Size	Port Type	PSI @ 65°F	Body Length	Stainless Steel	
				Part #	Price/E
½"	full	1000	2.5"	3SSBV50	\$80.60
¾"	full	1000	2.9"	3SSBV75	104.75
1"	full	1000	3.2"	3SSBV100	151.55
1¼"	full	1000	3.7"	3SSBV125	233.40
1½"	full	1000	4.3"	3SSBV150	274.25
2"	full	1000	4.8"	3SSBV200	368.75
2½"	full	800	6.2"	3SSBV250	791.35
3"	full	800	7.5"	3SSBV300	1065.80
4"	full	600	8.9"	3SSBV400	1941.50



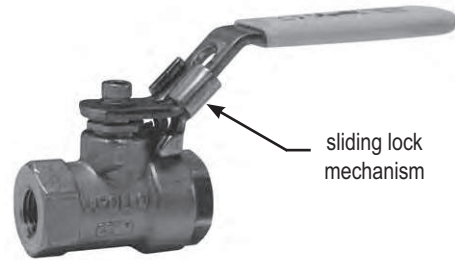
316 Stainless Steel 2-Piece Domestic Ball Valves

Full Port

- rated to **1,000 PSI** Cold Working Pressure
- rated to **150 PSI** saturated steam
- vacuum service to 29 inches Hg
- 316 stainless body, ball and stem
- PTFE seals
- blow-out proof stem
- vinyl handle cover
- full port
- temperature range: **-40°F to 400°F**

female NPT x female NPT

Size	Port Type	316 Stainless Steel	
		Part #	Price/E
1/4"	full	DSBV25	\$90.20
3/8"	full	DSBV38	90.20
1/2"	full	DSBV50	94.60
3/4"	full	DSBV75	124.10
1"	full	DSBV100	174.80
1¼"	full	DSBV125	221.30
1½"	full	DSBV150	346.60
2"	full	DSBV200	431.10



Electrically Actuated 2-Piece Stainless Steel Ball Valves

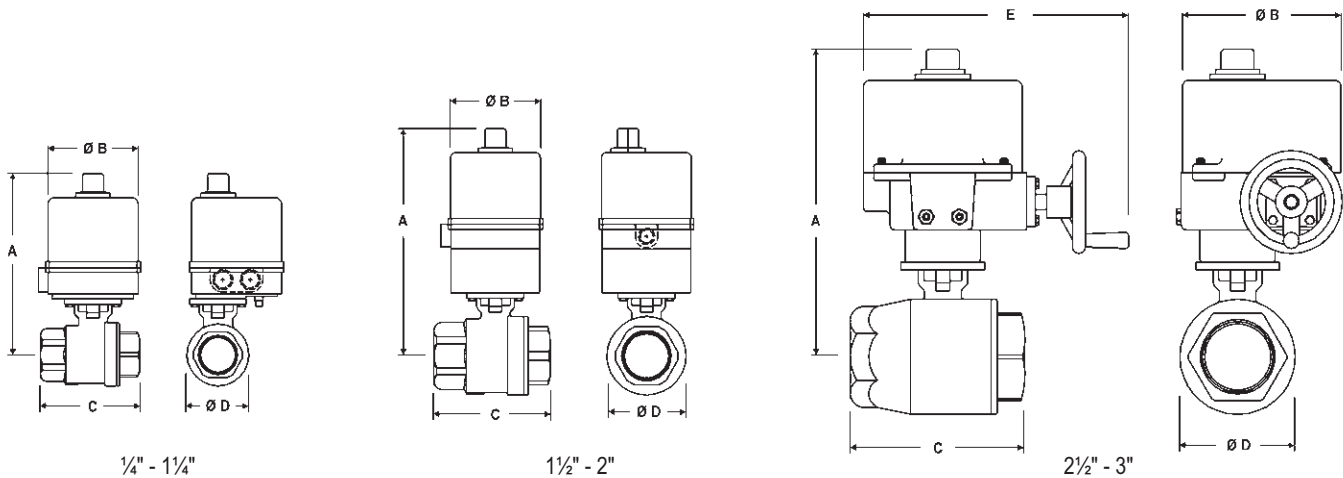


2-Piece Stainless Ball Valve

- CF8M stem and ball
- RTFE seats and seals
- blow-out proof stem
- live-loaded stem packing
- ISO 5211 mounting pad
- pressure rating: 1/4" - 2" **1000 PSI WOG**, 2 1/2" - 3" **800 PSI WOG**
- temperature range: **-40°F to 450°F**

Electric Actuator

- lightweight powder coated aluminum alloy housing
- NEMA 4/4X waterproof and dustproof
- extended duty cycle induction motor
- high alloy steel gear train
- H-insulation class
- visual position indication
- space heater is standard
- manual override standard: 1/2" - 1 1/2"
- working temperature: **-41°F to 140°F**
- ISO 9001, CS, CE and CSA-C US Certified
- RoHS compliant



1/4" - 1/4"

1 1/2" - 2"

2 1/2" - 3"

Dimensions are approximate.

Engineering dimensions are available upon request. Specifications are subject to change without notice.

Size	A	B	C	D	E	Override	Stainless Steel Part #	110VAC Voltage -EA	24VDC Voltage -EG	12VDC Voltage -ET	220VAC Voltage -EK	24VAC Voltage -ES
1/4"	7.79	4.50	2.56	1.40	NA	standard	BV2HG-02511	\$879.70	\$879.70	\$879.70	\$879.70	\$879.70
3/8"	7.79	4.50	2.56	1.40	NA	standard	BV2HG-03811	897.70	897.70	897.70	897.70	897.70
1/2"	7.74	4.50	2.95	1.40	NA	standard	BV2HG-05011	903.60	903.60	903.60	903.60	903.60
3/4"	7.84	4.50	3.15	1.75	NA	standard	BV2HG-07511	926.45	926.45	926.45	926.45	926.45
1"	8.09	4.50	3.54	1.75	NA	standard	BV2HG-10011	942.45	942.45	942.45	942.45	942.45
1 1/4"	8.29	4.50	4.33	2.58	NA	standard	BV2HG-12511	985.85	985.85	985.85	985.85	985.85
1 1/2"	8.69	4.50	4.72	2.97	NA	N/A	BV2HG-15011	1056.80	1056.80	1056.80	1056.80	1056.80
2"	11.13	4.50	5.51	2.73	NA	N/A	BV2HG-20011	1714.10	1714.10	1714.10	1714.10	1714.10
2 1/2"	13.72	7.08	7.28	4.68	12.83	handwheel	BV2HG-25011-EP *	2995.60	--	--	--	--
2 1/2"	10.69	6.06	7.28	4.68	NA	N/A	BV2HG-25011	2968.40	2968.40	2968.40	2968.40	2968.40
3"	13.72	7.08	8.07	5.44	12.83	handwheel	BV2HG-30011	4328.85	4328.85	4328.85	4328.85	4328.85

* for 110VAC 2 1/2" with manual override use EP

A wide variety of options are available: modulating, extra switches, transmitters, potentiometer, etc. Contact Dixon Sanitary at 800.789.1718 or visit bradfordfittings.com for details.

SAFETY
ALERT

Caution !

SAFETY
ALERT

Even though there are torque safety factors built into our automated ball valve packages, actual service conditions must also be considered when selecting the proper product for the appropriate application.

For example: Severe service conditions such as dirty water, dirty air, all slurries, raw sewage water, oils, and other viscous fluids can have a dramatic affect in raising the torque requirements of ball valves as much as 75% and therefore larger actuators may be required.

Please consult the factory when dealing with these types of applications.

Pneumatically Actuated 2-Piece Stainless Ball Valves

2-Piece Stainless Ball Valve

- CF8M stem and ball
- RTFE seats and seals
- blow-out proof stem
- live-loaded stem packing
- ISO 5211 mounting pad
- pressure rating: ¼" - 2" **1000 PSI WOG**, 2½" - 3" **800 PSI WOG**
- temperature range: **-40°F to 450°F**

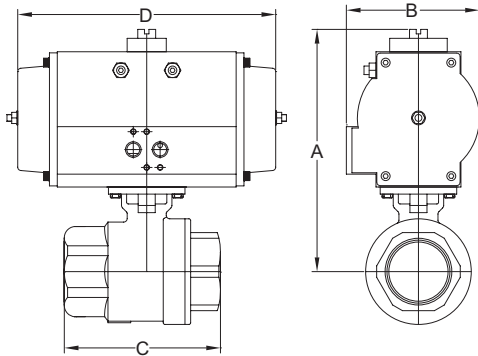
Rack and Pinion Actuator

- hard anodized aluminum body
- nickel plated anti-blowout pinion
- Buna-N O-rings
- NAMUR mounting
- bi-directional stops for ±5° travel adjustment
- 80 PSI plant air required
- visual position indication
- maximum operating pressure: **120 PSI**
- operating temperature range: **-40°F to 200°F**
- tested to one million cycles



Spring Return (normally closed)

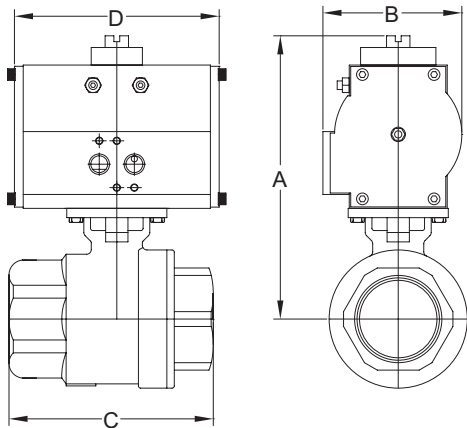
Dimensions are approximate. Engineering dimensions are available upon request. Specifications are subject to change without notice.



Size	A	B	C	D	Stainless Steel	
					Part #	Price/E
1/4"	5.21	2.80	2.56	5.49	BV2HG-02511-BBC	\$550.10
3/8"	5.21	2.80	2.56	5.49	BV2HG-03811-BBC	573.05
1/2"	5.16	2.80	2.95	5.49	BV2HG-05011-BBC	505.90
3/4"	5.26	2.80	3.15	5.49	BV2HG-07511-BBC	526.30
1"	6.64	3.74	3.54	8.09	BV2HG-10011-BBC	631.50
1¼"	6.84	3.74	4.33	8.09	BV2HG-12511-BBC	676.75
1½"	8.14	4.69	4.72	9.84	BV2HG-15011-BBC	714.90
2"	8.69	4.69	5.51	9.84	BV2HG-20011-BBC	1087.35
2½"	9.54	5.53	7.28	13.98	BV2HG-25011-BBC	1520.75
3"	11.39	7.29	8.07	16.61	BV2HG-30011-BBC	3174.25

Double Acting

Dimensions are approximate. Engineering dimensions are available upon request. Specifications are subject to change without notice.



Size	A	B	C	D	Stainless Steel	
					Part #	Price/E
1/4"	4.25	1.77	2.56	4.33	BV2HG-02511-BCC	\$319.05
3/8"	4.25	1.77	2.56	4.33	BV2HG-03811-BCC	319.05
1/2"	4.20	1.77	2.95	4.33	BV2HG-05011-BCC	422.70
3/4"	4.30	1.77	3.15	4.33	BV2HG-07511-BCC	344.75
1"	5.89	3.20	3.54	5.68	BV2HG-10011-BCC	533.40
1¼"	6.09	3.20	4.33	5.68	BV2HG-12511-BCC	578.65
1½"	7.24	3.74	4.72	5.87	BV2HG-15011-BCC	713.90
2"	7.79	3.74	5.51	5.87	BV2HG-20011-BCC	1122.25
2½"	8.75	4.69	7.28	7.20	BV2HG-25011-BCC	1390.15
3"	10.01	5.53	8.07	10.22	BV2HG-30011-BCC	2704.70

A wide variety of switches, solenoids, positioners, etc., are available. Contact Dixon Sanitary at 800.789.1718 or visit bradfordfittings.com for details.

SAFETY
ALERT

Caution! Even though there are torque safety factors built into our automated ball valve packages, actual service conditions must also be considered when selecting the proper product for the appropriate application.

For example: Severe service conditions such as dirty water, dirty air, all slurries, raw sewage water, oils, and other viscous fluids can have a dramatic affect in raising the torque requirements of ball valves as much as 75% and therefore larger actuators may be required. Please consult the factory when dealing with these types of applications.

SAFETY
ALERT

Valves

Electrically Actuated 3-Piece Stainless Steel Ball Valves

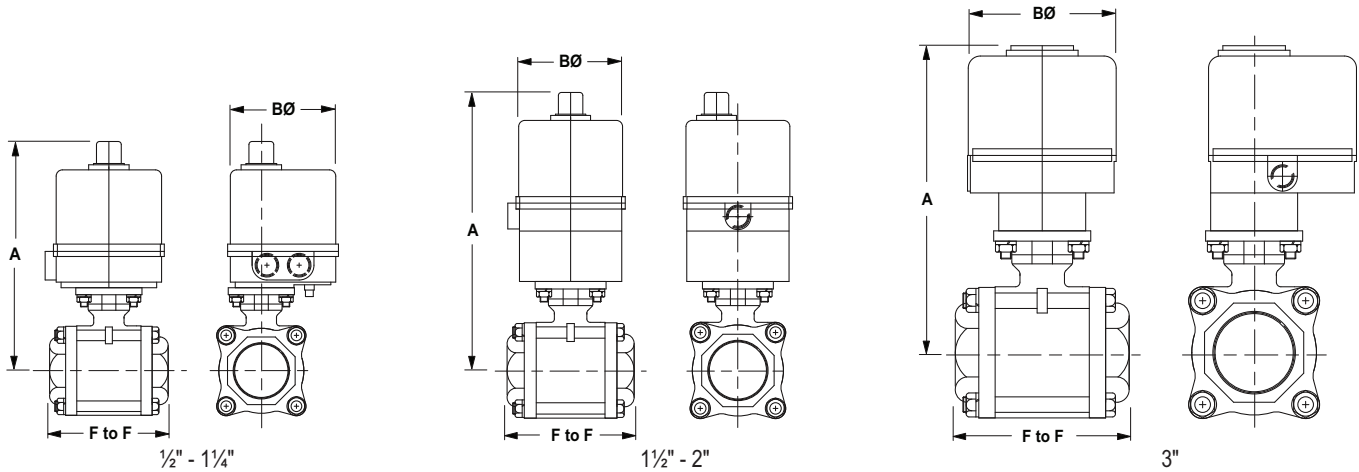


3-Piece Stainless Ball Valve

- CF8M body and ball
- 15% glass reinforced RTFE seats
- blow-out proof stainless steel stem
- live-loaded stem packing
- ISO 5211 mounting pad
- swing out in-line easy maintenance
- ½" - 2" rated to **1000 PSI WOG**; 3" rated to **800 PSI WOG**
- temperature range: **-40°F to 400°F**

Electric Actuator

- lightweight powder coated aluminum alloy housing
- NEMA 4/4X waterproof and dustproof
- extended duty cycle induction motor
- high alloy steel gear train
- H-insulation class
- visual position indication
- space heater is standard
- manual override standard: ½" - 1½"
- working temperature: **-41°F to 140°F**
- ISO 9001, CS, CE and CSA-C US Certified
- RoHS compliant



Dimensions are approximate.

Engineering dimensions are available upon request. Specifications are subject to change without notice.

Size	F to F	A	B	Override	Stainless Steel Part #	110VAC Voltage -EA	24VDC Voltage -EG	12VDC Voltage -ET	220VAC Voltage -EK	24VAC Voltage -ES
½"	2.6	7.8	4.5	standard	BV2IG-05011	\$922.00	\$922.00	\$922.00	\$922.00	\$922.00
¾"	3.0	8.0	4.5	standard	BV2IG-07511	947.50	947.50	947.50	947.50	947.50
1"	3.4	8.3	4.5	standard	BV2IG-10011	969.60	969.60	969.60	969.60	969.60
1¼"	4.0	8.5	4.5	standard	BV2IG-12511	1029.50	1029.50	1029.50	1029.50	1029.50
1½"	4.7	9.2	4.5	N/A	BV2IG-15011	1066.15	1066.15	1066.15	1066.15	1066.15
2"	5.2	11.4	4.5	N/A	BV2IG-20011	1426.85	1426.85	1426.85	1426.85	1426.85
3"	7.2	12.2	6.1	N/A	BV2IG-30011	2620.65	2620.65	2620.65	2620.65	2620.65

A wide variety of options are available: modulating, extra switches, transmitters, potentiometer, etc.
Contact Dixon Sanitary at 800.789.1718 or visit bradfordittings.com for details.

SAFETY
ALERT

Caution !

SAFETY
ALERT

Even though there are torque safety factors built into our automated ball valve packages, actual service conditions must also be considered when selecting the proper product for the appropriate application.

For example: Severe service conditions such as dirty water, dirty air, all slurries, raw sewage water, oils, and other viscous fluids can have a dramatic affect in raising the torque requirements of ball valves as much as 75% and therefore larger actuators may be required.

Please consult the factory when dealing with these types of applications.

Pneumatically Actuated 3-Piece Stainless Ball Valves

3-Piece Stainless Ball Valve

- CF8M body and ball
- 15% glass reinforced RTFE seats
- blow-out proof stainless steel stem
- live-loaded stem packing
- ISO 5211 mounting pad
- swing out in-line easy maintenance
- ½" - 2" rated to **1000 PSI WOG**; 3" rated to **800 PSI WOG**
- temperature range: **-40°F to 400°F**

Rack and Pinion Actuator

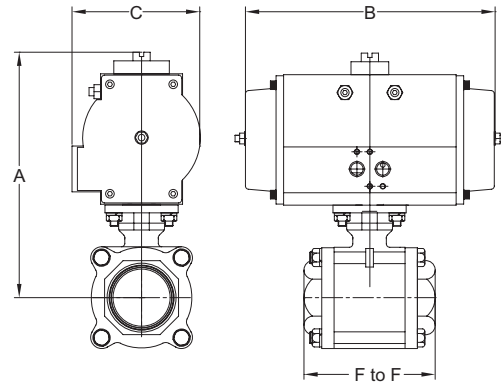
- hard anodized aluminum body
- nickel plated anti-blowout pinion
- Buna-N O-rings
- NAMUR mounting
- bi-directional stops for ±5° travel adjustment
- 80 PSI plant air required
- visual position indication
- maximum operating pressure: **120 PSI**
- operating temperature range: **-40°F to 200°F**
- tested to one million cycles



Spring Return (normally closed)

Dimensions are approximate. Engineering dimensions are available upon request. Specifications are subject to change without notice.

Size	F to F	A	B	C	Stainless Steel Part #	Price/E
½"	2.6	7.0	7.7	3.2	BV2IG-05011-BBC ¹	\$522.30
¾"	3.0	7.2	7.7	3.2	BV2IG-07511-BBC ¹	545.05
1"	3.4	6.1	7.7	3.2	BV2IG-10011-BBC	632.90
1¼"	4.0	6.3	7.7	3.2	BV2IG-12511-BBC	692.75
1½"	4.7	7.7	8.1	3.7	BV2IG-15011-BBC	832.50
2"	5.2	8.8	8.1	3.7	BV2IG-20011-BBC	828.40
3"	7.2	10.2	9.8	4.7	BV2IG-30011-BBC	1609.45

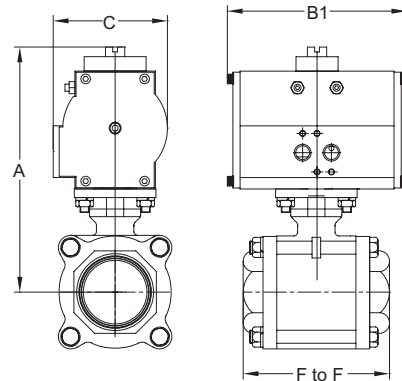


¹ bracket and coupler required for ½" and ¾" spring return actuator

Double Acting

Dimensions are approximate. Engineering dimensions are available upon request. Specifications are subject to change without notice.

Size	F to F	A	B1	C	Stainless Steel Part #	Price/E
½"	2.6	5.0	4.7	2.4	BV2IG-05011-BCC	\$398.45
¾"	3.0	5.2	4.7	2.4	BV2IG-07511-BCC	425.25
1"	3.4	6.1	5.7	3.2	BV2IG-10011-BCC	538.80
1¼"	4.0	6.3	5.7	3.2	BV2IG-12511-BCC	598.60
1½"	4.7	7.7	5.9	3.7	BV2IG-15011-BCC	715.70
2"	5.2	8.0	5.9	3.7	BV2IG-20011-BCC	812.05
3"	7.2	10.2	7.2	4.7	BV2IG-30011-BCC	1678.10



A wide variety of switches, solenoids, positioners, etc., are available. Contact Dixon Sanitary at 800.789.1718 or visit bradfordittings.com for details.

SAFETY
ALERT

Caution!

Even though there are torque safety factors built into our automated ball valve packages, actual service conditions must also be considered when selecting the proper product for the appropriate application.

For example: Severe service conditions such as dirty water, dirty air, all slurries, raw sewage water, oils, and other viscous fluids can have a dramatic affect in raising the torque requirements of ball valves as much as 75% and therefore larger actuators may be required. Please consult the factory when dealing with these types of applications.

SAFETY
ALERT

Valves

Electrically Actuated Brass Ball Valves

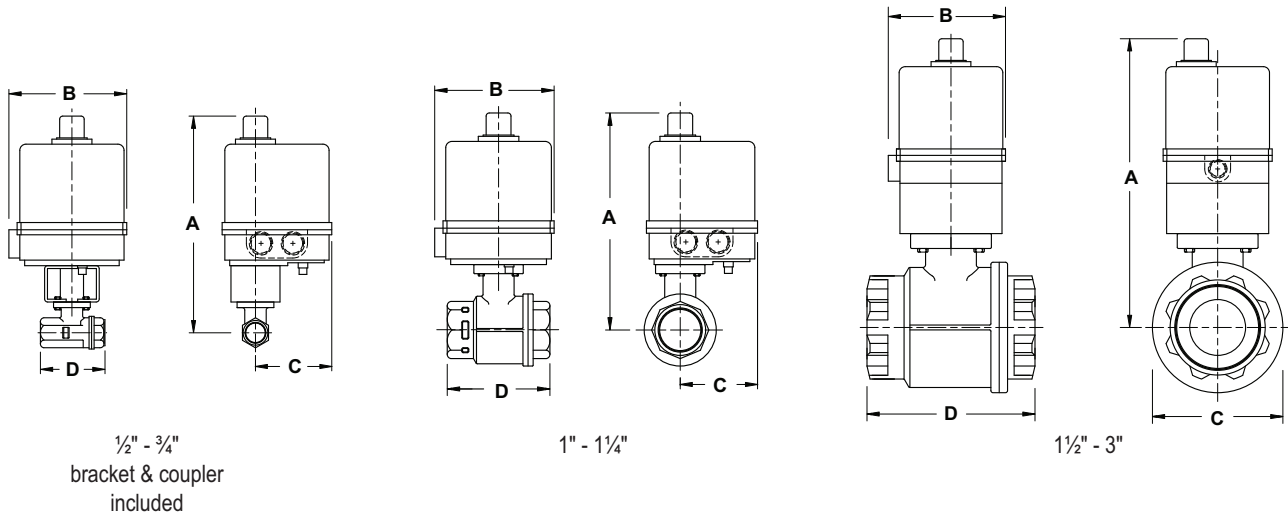


2-Piece Brass Ball Valve

- brass ball
- Viton® elastomers
- blow-out proof brass stem
- PTFE seats with double O-ring stem packing
- ISO 5211 mounting pad
- pressure rating: **600 PSI WOG - 150 PSI WSP**
- maximum temperature: **366°F**

Electric Actuator

- lightweight powder coated aluminum alloy housing
- NEMA 4/4X waterproof and dustproof
- extended duty cycle induction motor
- high alloy steel gear train
- H-insulation class
- visual position indication
- space heater is standard
- manual override standard: ½" - 1½"
- working temperature: **-41°F to 140°F**
- ISO 9001, CS, CE and CSA-C US Certified
- RoHS compliant



½" - ¾"
bracket & coupler
included

1" - 1¼"

1½" - 3"

Dimensions are approximate.

Engineering dimensions are available upon request. Specifications are subject to change without notice.

Size	A	B	C	D	Override	Brass Part #	110VAC Voltage -EA	24VDC Voltage -EG	12VDC Voltage -ET	220VAC Voltage -EK	24VAC Voltage -ES
½"	8.8	4.5	3.1	2.6	standard	BV2BV-05011	\$829.80	\$829.80	\$829.80	\$829.80	\$829.80
¾"	9.2	4.5	3.1	3.0	standard	BV2BV-07511	829.80	829.80	829.80	829.80	829.80
1"	9.4	4.5	3.1	3.4	standard	BV2BV-10011	901.90	901.90	901.90	901.90	901.90
1¼"	9.5	4.5	3.1	3.7	standard	BV2BV-12511	949.70	949.70	949.70	949.70	949.70
1½"	8.7	4.5	3.1	4.1	N/A	BV2BV-15011	1132.45	1132.45	1132.45	1132.45	1132.45
2"	9.0	4.5	3.1	4.8	N/A	BV2BV-20011	1161.65	1161.65	1161.65	1161.65	1161.65
3"	11.8	6.1	5.4	6.9	N/A	BV2BV-30011	2249.75	2249.75	2249.75	2249.75	2249.75

A wide variety of options are available: modulating, extra switches, transmitters, potentiometer, etc.
Contact Dixon Sanitary at 800.789.1718 or visit bradfordfittings.com for details.

SAFETY ALERT

Caution !

SAFETY ALERT

Even though there are torque safety factors built into our automated ball valve packages, actual service conditions must also be considered when selecting the proper product for the appropriate application.

For example: Severe service conditions such as dirty water, dirty air, all slurries, raw sewage water, oils, and other viscous fluids can have a dramatic affect in raising the torque requirements of ball valves as much as 75% and therefore larger actuators may be required.

Please consult the factory when dealing with these types of applications.

Pneumatically Actuated Brass Ball Valves

2-Piece Brass Ball Valve

- brass ball
- Viton® elastomers
- blow-out proof brass stem
- PTFE seats with double O-ring stem packing
- ISO 5211 mounting pad
- pressure rating: **600 PSI WOG - 150 PSI WSP**
- maximum temperature: **366°F**

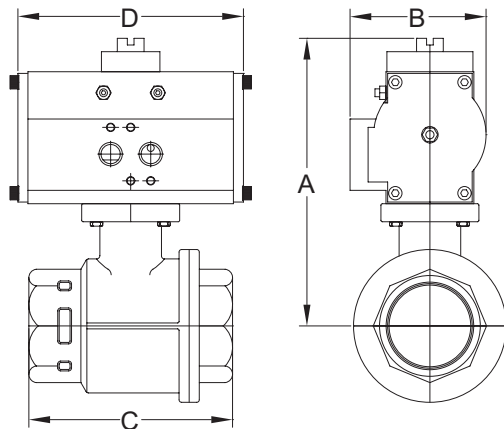
Rack and Pinion Actuator

- hard anodized aluminum body
- nickel plated anti-blowout pinion
- Buna-N O-rings
- NAMUR mounting
- bi-directional stops for $\pm 5^\circ$ travel adjustment
- 80 PSI plant air required
- visual position indication
- maximum operating pressure: **120 PSI**
- operating temperature range: **-40°F to 200°F**
- tested to one million cycles



Spring Return (normally closed)

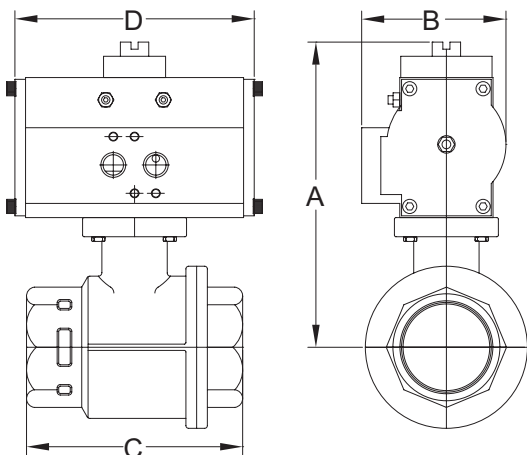
All dimensions are given in inches, unless noted. Dimensions are approximate. Engineering dimensions are available upon request. Specifications are subject to change without notice.



Size	A	B	C	D	Brass	
					Part #	Price/E
1/4"	4.80	2.80	2.64	5.49	BV2BV-02511-BBC	\$608.00
3/8"	4.80	2.80	2.64	5.49	BV2BV-03811-BBC	571.50
1/2"	4.80	2.80	2.64	5.49	BV2BV-05011-BBC	547.30
3/4"	4.88	2.80	3.00	5.49	BV2BV-07511-BBC	498.05
1"	5.31	2.80	3.35	5.49	BV2BV-10011-BBC	520.80
1 1/4"	5.45	2.80	3.66	5.49	BV2BV-12511-BBC	620.10
1 1/2"	6.04	2.80	4.13	5.49	BV2BV-15011-BBC	728.10
2"	6.40	2.80	4.80	5.49	BV2BV-20011-BBC	711.35
2 1/2"	8.13	3.74	6.10	8.09	BV2BV-25011-BBC	1168.15
3"	8.50	3.74	6.89	8.09	BV2BV-30011-BBC	1275.60
4"	10.14	4.69	8.03	9.84	BV2BV-40011-BBC	1790.35

Double Acting

Dimensions are approximate. Engineering dimensions are available upon request. Specifications are subject to change without notice.



Size	A	B	C	D	Brass	
					Part #	Price/E
1/4"	3.84	1.77	2.64	4.33	BV2BV-02511-BCC	\$457.30
3/8"	3.84	1.77	2.64	4.33	BV2BV-03811-BCC	457.30
1/2"	3.84	1.77	2.64	4.33	BV2BV-05011-BCC	347.85
3/4"	3.92	1.77	3.00	4.33	BV2BV-07511-BCC	316.55
1"	4.35	1.77	3.35	4.33	BV2BV-10011-BCC	413.65
1 1/4"	4.49	1.77	3.66	4.33	BV2BV-12511-BCC	435.40
1 1/2"	6.42	3.20	4.13	5.68	BV2BV-15011-BCC	632.60
2"	6.78	3.20	4.80	5.68	BV2BV-20011-BCC	687.85
2 1/2"	8.13	3.74	6.10	5.87	BV2BV-25011-BCC	1170.85
3"	8.50	3.74	6.89	5.87	BV2BV-30011-BCC	1298.80
4"	10.14	4.69	8.03	7.20	BV2BV-40011-BCC	1881.05

A wide variety of switches, solenoids, positioners, etc., are available. Contact Dixon Sanitary at 800.789.1718 or visit bradfordfittings.com for details.

SAFETY
ALERT

Caution !

Even though there are torque safety factors built into our automated ball valve packages, actual service conditions must also be considered when selecting the proper product for the appropriate application.

For example: Severe service conditions such as dirty water, dirty air, all slurries, raw sewage water, oils, and other viscous fluids can have a dramatic effect in raising the torque requirements of ball valves as much as 75% and therefore larger actuators may be required.

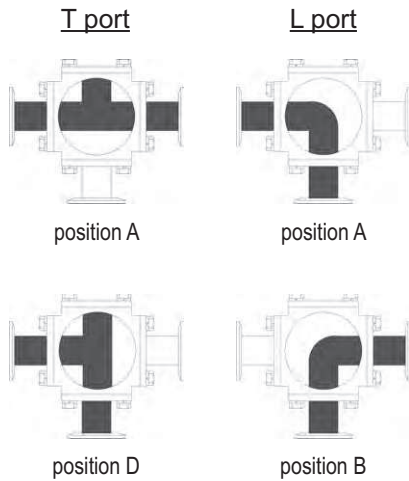
Please consult the factory when dealing with these types of applications.

SAFETY
ALERT

Valves

Electrically Actuated 3-Way Stainless Ball Valves - 'T / L' Port

Default Flow Paths



Refer to page 668 for alternate flow paths.

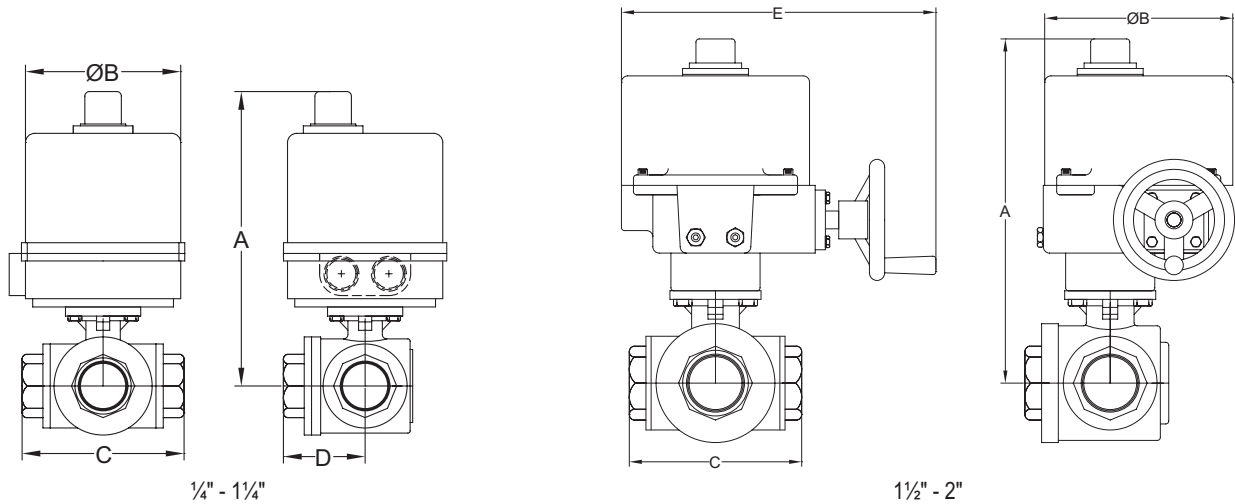


3-Way Stainless Ball Valve

- full port
- female NPT ends
- blow-out proof stem
- live-loaded stem packing
- ISO 5211 mounting pad
- 100% air tested under water at 80 PSI
- working pressure: 1/4" to 1": 1000 PSI; 1 1/4" to 2": 800 PSI
- temperature range: -20°F to 450°F

Electric Actuator

- lightweight powder coated aluminum alloy housing
- NEMA 4/4X waterproof and dustproof
- extended duty cycle induction motor
- high alloy steel gear train
- H-insulation class
- visual position indication
- space heater is standard
- manual override standard: 1/2" - 1 1/2"
- working temperature: -41°F to 140°F
- ISO 9001, CS, CE and CSA-C US Certified
- RoHS compliant



Dimensions are approximate. Engineering dimensions are available upon request. Specifications are subject to change without notice.

* T = t style
* L = l style

Size	A	B	C	D	E	Override	Stainless Steel Part #	110VAC Voltage -EA	24VDC Voltage -EG	12VDC Voltage -ET	220VAC Voltage -EK	24VAC Voltage -ES
1/4"	9.01	6.06	2.83	1.41	N/A	standard	BV3IG*F-0251	\$1269.05	\$1269.05	\$1269.05	\$1269.05	\$1269.05
3/8"	9.01	6.06	2.83	1.41	N/A	standard	BV3IG*F-0381	1269.05	1269.05	1269.05	1269.05	1269.05
1/2"	9.21	6.06	3.26	1.63	N/A	standard	BV3IG*F-0501	1229.80	1229.80	1229.80	1229.80	1229.80
3/4"	9.21	6.06	3.89	1.94	N/A	standard	BV3IG*F-0751	1437.50	1437.50	1437.50	1437.50	1437.50
1"	9.74	6.06	4.40	2.20	N/A	standard	BV3IG*F-1001	1607.30	1607.30	1607.30	1607.30	1607.30
1 1/4"	10.04	6.06	4.92	2.46	N/A	standard	BV3IG*F-1251	1901.60	1901.60	1901.60	1901.60	1901.60
1 1/2"	12.92	7.87	5.86	2.93	12.99	handwheel	BV3IG*F-1501	3121.20	3121.20	3121.20	3121.20	3121.20
2"	13.67	7.87	6.85	3.42	12.99	handwheel	BV3IG*F-2001	3953.45	3953.45	3953.45	3953.45	3953.45

A wide variety of options are available: modulating, extra switches, transmitters, potentiometer, etc. Contact Dixon Sanitary at 800.789.1718 or visit bradfordittings.com for details.

SAFETY
ALERT

Caution !
Even though there are torque safety factors built into our automated ball valve packages, actual service conditions must also be considered when selecting the proper product for the appropriate application.

SAFETY
ALERT

For example: Severe service conditions such as dirty water, dirty air, all slurries, raw sewage water, oils, and other viscous fluids can have a dramatic affect in raising the torque requirements of ball valves as much as 75% and therefore larger actuators may be required. Please consult the factory when dealing with these types of applications.

Pneumatically Actuated 3-Way Stainless Ball Valves - 'T / L' Port

3-Way Stainless Ball Valve

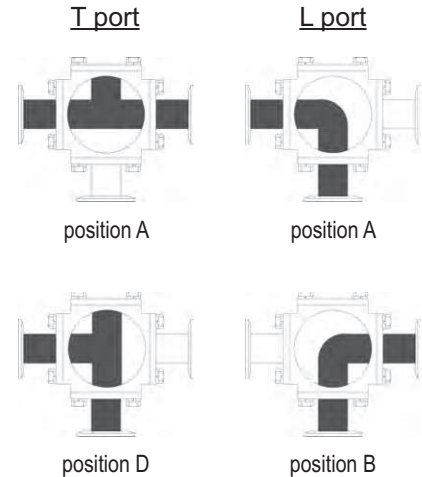
- full port
- female NPT ends
- blow-out proof stem
- live-loaded stem packing
- ISO 5211 mounting pad
- 100% air tested under water at **80 PSI**
- working pressure: ¼" to 1": **1000 PSI**;
1¼" to 2": **800 PSI**
- temperature range: **-20°F to 450°F**

Rack and Pinion Actuator

- hard anodized aluminum body
- nickel plated anti-blowout pinion
- Buna-N O-rings
- NAMUR mounting
- bi-directional stops for ±5° travel adjustment
- 80 PSI plant air required
- visual position indication
- maximum operating pressure: **120 PSI**
- operating temperature range: **-40°F to 200°F**
- tested to one million cycles



Default Flow Paths

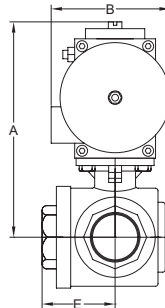
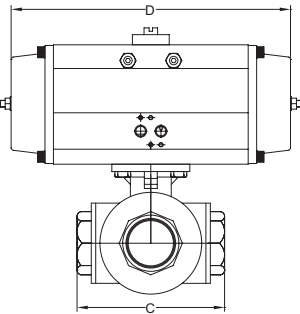


Refer to page 668 for alternate flow paths.

Spring Return (normally closed)

All dimensions are given in inches, unless noted. Dimensions are approximate. Engineering dimensions are available upon request. Specifications are subject to change without notice.

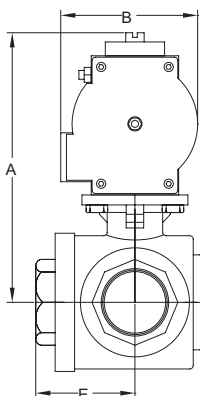
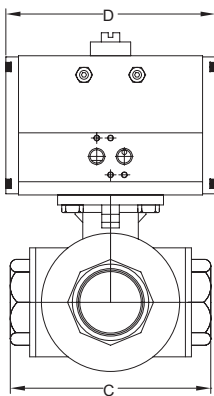
- * T = t-style
- * L = l-style



Size	A	B	C	D	E	Stainless Steel	
						Part #	Price/E
1/4"	5.35	3.20	2.83	7.10	1.41	BV3IG*F-0251BBC	\$927.85
3/8"	5.35	3.20	2.83	7.10	1.41	BV3IG*F-0381BBC	927.85
1/2"	5.55	3.20	3.26	7.10	1.63	BV3IG*F-0501BBC	785.25
3/4"	6.30	3.74	3.89	7.45	1.94	BV3IG*F-0751BBC	1176.20
1"	6.83	3.74	4.40	7.45	2.20	BV3IG*F-1001BBC	1345.95
1¼"	7.13	3.74	4.92	7.45	2.46	BV3IG*F-1251BBC	1698.55
1½"	8.43	4.69	5.86	9.10	2.93	BV3IG*F-1501BBC	2222.40
2"	9.97	5.53	6.85	12.99	3.42	BV3IG*F-2001BBC	3352.10

Double Acting

Dimensions are approximate. Engineering dimensions are available upon request. Specifications are subject to change without notice.



Size	A	B	C	D	E	Stainless Steel	
						Part #	Price/E
1/4"	5.35	3.20	2.83	7.10	1.41	BV3IG*F-0251BCC	\$828.70
3/8"	5.35	3.20	2.83	7.10	1.41	BV3IG*F-0381BCC	828.70
1/2"	5.55	3.20	3.26	7.10	1.63	BV3IG*F-0501BCC	819.85
3/4"	6.30	3.74	3.89	7.45	1.94	BV3IG*F-0751BCC	1018.90
1"	6.83	3.74	4.40	7.45	2.20	BV3IG*F-1001BCC	1071.50
1¼"	7.13	3.74	4.92	7.45	2.46	BV3IG*F-1251BCC	1791.75
1½"	8.43	4.69	5.86	9.10	2.93	BV3IG*F-1501BCC	2183.75
2"	9.97	5.53	6.85	12.99	3.42	BV3IG*F-2001BCC	2910.70

A wide variety of switches, solenoids, positioners, etc., are available. Contact Dixon Sanitary at 800.789.1718 or visit bradfordfittings.com for details.

SAFETY
ALERT

Caution !

SAFETY
ALERT

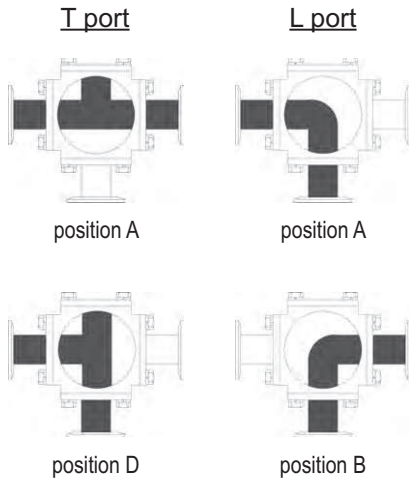
Even though there are torque safety factors built into our automated ball valve packages, actual service conditions must also be considered when selecting the proper product for the appropriate application.

For example: Severe service conditions such as dirty water, dirty air, all slurries, raw sewage water, oils, and other viscous fluids can have a dramatic affect in raising the torque requirements of ball valves as much as 75% and therefore larger actuators may be required.

Please consult the factory when dealing with these types of applications.

Electrically Actuated 3-Way Brass Ball Valves - 'T / L' Port

Default Flow Paths



Refer to page 668 for alternate flow paths.

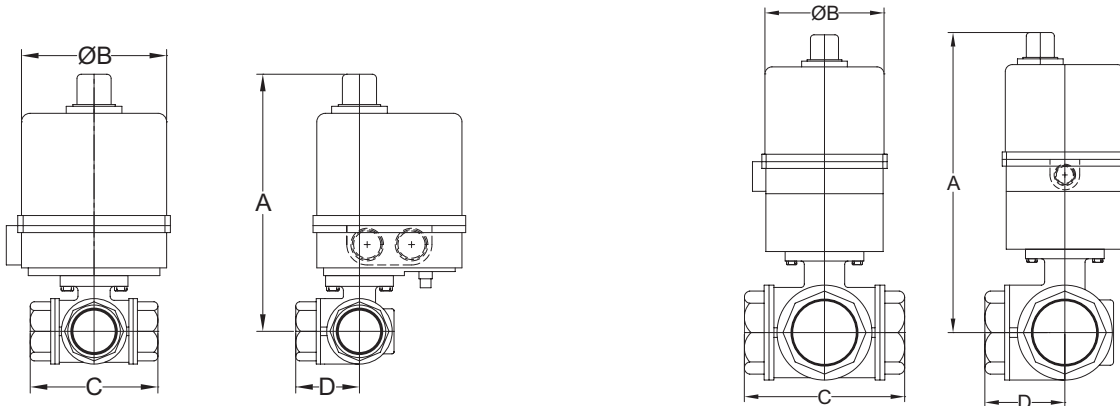


3-Way Brass Ball Valve

- reduced port
- blow-out proof stem
- chrome-plated brass ball
- PTFE seats with O-ring backing for low operating torque
- PTFE seats and double O-ring stem packing
- ISO 5211 mounting pad
- 100% tested
- pressure rating: **400 PSI WOG 100 PSI WSP**
- maximum temperature: **344°F**

Electric Actuator

- lightweight powder coated aluminum alloy housing
- NEMA 4/4X waterproof and dustproof
- extended duty cycle induction motor
- high alloy steel gear train
- H-insulation class
- visual position indication
- space heater is standard
- manual override standard: 1/2" - 1 1/2"
- working temperature: **-41°F to 140°F**
- ISO 9001, CS, CE and CSA-C US Certified
- RoHS compliant



1/4" - 1 1/4" 1 1/2" - 3"
 Dimensions are approximate. Engineering dimensions are available upon request.
 Specifications are subject to change without notice.

* T = t-style
 * L = l-style

Size	A	B	C	D	Override	Brass Part #	110VAC Voltage -EA	24VDC Voltage -EG	12VDC Voltage -ET	220VAC Voltage -EK	24VAC Voltage -ES
1/4"	8.76	6.06	2.64	1.32	standard	BV3BV*R-0251	\$1005.85	\$1005.85	\$1005.85	\$1005.85	\$1005.85
3/8"	8.76	6.06	2.64	1.32	standard	BV3BV*R-0381	1005.85	1005.85	1005.85	1005.85	1005.85
1/2"	8.76	6.06	2.87	1.44	standard	BV3BV*R-0501	1005.85	1005.85	1005.85	1005.85	1005.85
3/4"	8.85	6.06	3.19	1.60	standard	BV3BV*R-0751	1030.65	1030.65	1030.65	1030.65	1030.65
1"	9.19	6.06	3.74	1.87	standard	BV3BV*R-1001	1066.00	1066.00	1066.00	1066.00	1066.00
1 1/4"	9.41	6.06	4.39	2.20	standard	BV3BV*R-1251	1176.05	1176.05	1176.05	1176.05	1176.05
1 1/2"	9.90	6.06	4.86	2.43	N/A	BV3BV*R-1501	1453.70	1453.70	1453.70	1453.70	1453.70
2"	10.89	4.25	5.73	2.87	N/A	BV3BV*R-2001	2093.60	2093.60	2093.60	2093.60	2093.60
2 1/2"	11.34	4.25	6.93	3.47	N/A	BV3BV*R-2501	3064.55	3064.55	3064.55	3064.55	3064.55
3"	11.34	4.25	7.08	3.54	N/A	BV3BV*R-3001	2926.55	2926.55	2926.55	2926.55	2926.55

A wide variety of options are available: modulating, extra switches, transmitters, potentiometer, etc.
 Contact Dixon Sanitary at 800.789.1718 or visit bradfordittings.com for details.

SAFETY
 ALERT

Caution !

SAFETY
 ALERT

Even though there are torque safety factors built into our automated ball valve packages, actual service conditions must also be considered when selecting the proper product for the appropriate application.

For example: Severe service conditions such as dirty water, dirty air, all slurries, raw sewage water, oils, and other viscous fluids can have a dramatic affect in raising the torque requirements of ball valves as much as 75% and therefore larger actuators may be required.

Please consult the factory when dealing with these types of applications.

Pneumatically Actuated 3-Way Brass Ball Valves - 'T / L' Port

3-Way Brass Ball Valve

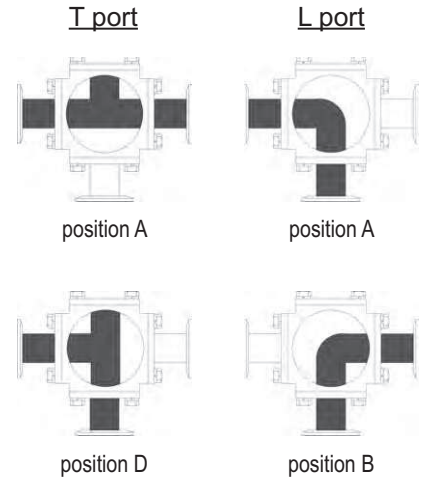
- reduced port
- blow-out proof stem
- chrome-plated brass ball
- PTFE seats with O-ring backing for low operating torque
- PTFE seats and double O-ring stem packing
- ISO 5211 mounting pad
- 100% tested
- pressure rating: **400 PSI WOG 100 PSI WSP**
- maximum temperature: **344°F**

Rack and Pinion Actuator

- hard anodized aluminum body
- nickel plated anti-blowout pinion
- Buna-N O-rings
- NAMUR mounting
- bi-directional stops for $\pm 5^\circ$ travel adjustment
- 80 PSI plant air required
- visual position indication
- maximum operating pressure: **120 PSI**
- operating temperature range: **-40°F to 200°F**
- tested to one million cycles



Default Flow Paths

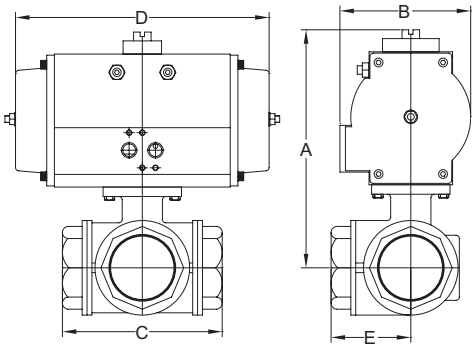


Refer to page 668 for alternate flow paths.

Spring Return (normally closed)

All dimensions are given in inches, unless noted. Dimensions are approximate. Engineering dimensions are available upon request. Specifications are subject to change without notice.

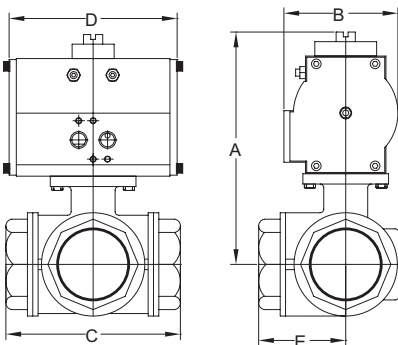
* T = t-style
* L = l-style



Size	A	B	C	D	E	Brass	
						Part #	Price/E
1/4"	4.72	2.80	2.64	5.49	1.32	BV3BV*R-0251BBC	\$659.25
3/8"	4.72	2.80	2.64	5.49	1.32	BV3BV*R-0381BBC	659.25
1/2"	4.72	2.80	2.87	5.49	1.44	BV3BV*R-0501BBC	659.25
3/4"	4.81	2.80	3.19	5.49	1.60	BV3BV*R-0751BBC	698.05
1"	6.28	3.74	3.74	7.45	1.87	BV3BV*R-1001BBC	815.10
1 1/4"	6.50	3.74	4.39	7.45	2.20	BV3BV*R-1251BBC	948.25
1 1/2"	6.99	3.74	4.86	7.45	2.43	BV3BV*R-1501BBC	1251.90
2"	8.45	4.69	5.73	9.10	2.87	BV3BV*R-2001BBC	1756.80
2 1/2"	8.90	4.69	6.93	9.10	3.47	BV3BV*R-2501BBC	2709.65
3"	8.90	4.69	7.08	9.10	3.54	BV3BV*R-3001BBC	2643.70

Double Acting

Dimensions are approximate. Engineering dimensions are available upon request. Specifications are subject to change without notice.



Size	A	B	C	D	E	Brass	
						Part #	Price/E
1/4"	3.76	1.77	2.64	4.33	1.32	BV3BV*R-0251BCC	\$504.40
3/8"	3.76	1.77	2.64	4.33	1.32	BV3BV*R-0381BCC	504.40
1/2"	3.76	1.77	2.87	4.33	1.44	BV3BV*R-0501BCC	514.70
3/4"	3.85	1.77	3.19	4.33	1.60	BV3BV*R-0751BCC	556.30
1"	5.53	3.20	3.74	5.32	1.87	BV3BV*R-1001BCC	670.55
1 1/4"	5.75	3.20	4.39	5.32	2.20	BV3BV*R-1251BCC	809.30
1 1/2"	6.24	3.20	4.86	5.32	2.43	BV3BV*R-1501BCC	1069.60
2"	7.55	3.74	5.73	5.51	2.87	BV3BV*R-2001BCC	1509.60
2 1/2"	8.00	3.74	6.93	5.51	3.47	BV3BV*R-2501BCC	2416.70
3"	8.00	3.74	7.08	5.51	3.54	BV3BV*R-3001BCC	2359.90

A wide variety of switches, solenoids, positioners, etc., are available. Contact Dixon Sanitary at 800.789.1718 or visit bradfordfittings.com for details.

SAFETY
ALERT

Caution ! Even though there are torque safety factors built into our automated ball valve packages, actual service conditions must also be considered when selecting the proper product for the appropriate application.

For example: Severe service conditions such as dirty water, dirty air, all slurries, raw sewage water, oils, and other viscous fluids can have a dramatic affect in raising the torque requirements of ball valves as much as 75% and therefore larger actuators may be required. Please consult the factory when dealing with these types of applications.

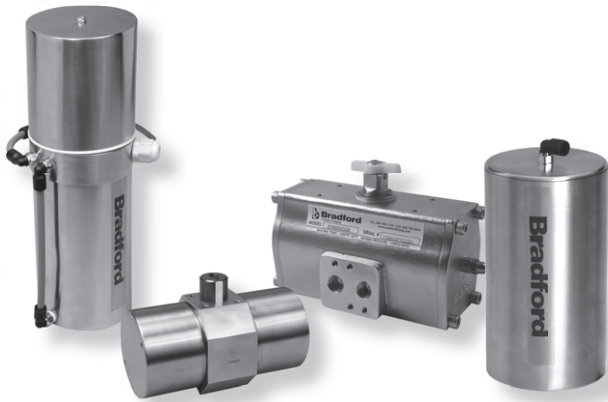
SAFETY
ALERT

Valves

Actuation

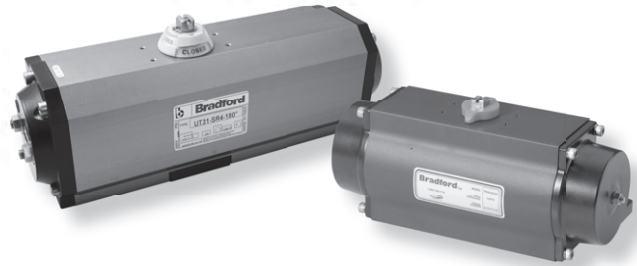
All Bradford™ actuators, accessories and mounting hardware can be sold separately, call Dixon Sanitary at 800.789.1718 for details.

- Dixon Sanitary can actuate all of our butterfly and ball valves with Bradford™ actuators.
- Dixon Sanitary ships all actuated valves from the Valve Automation Department in Wisconsin.
- Bradford™ actuators are tested to one million cycles and are backed with a one year manufacturer's warranty.
- Our professionally trained specialists assemble and test each automation package to guarantee performance in the field.
- Documentation is filed on each automated valve package in case it is needed at any point in the future.
- Each unit is individually foam packed to ensure they arrive in top condition.
- Most standard orders can be shipped within 24 hours.



stainless steel actuators

- vertical canister
- rack and pinion
- control top



aluminum actuators

- 90° and 180° rotation
- spring return and double acting
- bi-directional travel stops



electric actuators

- variety of voltages
- manual overrides
- feedback and modulation available

Actuated Valve Accessories Limit Switches

- visual position indicator
- 3D open/close indication
- quick-set cam
- mechanical SPDT switches (standard)
- multipoint terminal strip
- various switch options available
- cable entry: (2) 1/2" NPT



Enclosures available:

NEMA 4 4/X

- water and dust tight for indoor or outdoor use
- corrosion resistant

NEMA 7

- water and dust tight for indoor or outdoor use
- corrosion resistant
- for use in indoor hazardous locations
- explosion proof

Enclosure	Part #	Price/E
NEMA 4/4X	XLS-B4A0120P	\$311.30
NEMA 7	XLS-B7A0120P	648.80

Solenoids

- pressure range: 30 PSI to 150 PSI
- duty cycle: 100% extended duty
- voltages available:
12VDC, 24VDC, 24VAC, 48VAC, 110VAC, 220VAC
- electroless nickel plated spool
- easy-to-use manual override
- port sizes: inlet and exhaust 1/4" NPT



Enclosures available:

NEMA 4 4/X

- water and dust tight for indoor or outdoor use
- corrosion resistant

Description	Part #	Price/E
single coil, 115VAC	XSO-4S4D-0A	\$201.10
single coil, 24VDC	XSO-4S4B-0A	201.10
dual coil, 115VAC	XSO-4D4D-0A	322.20
dual coil, 24VDC	XSO-4D4B-0A	322.20

Positioners

- air capacity:
at 29 PSI (200kPa): 9.5 SCFM
at 87 PSI (600kPa): 28.3 SCFM
at 145 PSI (1MPa): 47.1 SCFM
- air connections: 1/4" NPT
- gauges: 1/8" NPT
- cable entry: 1/2" NPT



Electro-Pneumatic

- input range: 4-20mA (Ri<250ohms)
- supply pressure: 21.8 to 145 PSI (0.15 to 1MPa)
- linearity error: <1.0% f.s
- hysteresis: <0.6% f.s
- repeatability: <0.5% f.s

Pneumatic

- input range: 3 to 15 PSI (20-100kPa)
- supply pressure: < 145 PSI (<1MPa)
- linearity error: <0.7% f.s
- hysteresis: <0.4% f.s
- repeatability: <0.3% f.s

Positioner Type	Part #	Price/E
Electro-Pneumatic	XPO-E4F	\$2466.70
Pneumatic	XPO-P4F	1151.55



Valves

Speed Control Mufflers

- maximum operating pressure: **300 PSI**
- operating temperature: **-65°F to 300°F**

NPT Thread Size	Approx. Full Oper. Height	Maximum Adjusted SCFM	2011T3 Aluminum		Brass	
			Part #	Price/E	Part #	Price/E
1/8"	1-5/16"	20	ASC18	\$8.00	SCM18	\$5.95
1/4"	1-9/16"	30	ASC28	9.10	SCM28	6.90
3/8"	1-5/8"	40	ASC38	12.10	SCM38	9.95
1/2"	2"	60	ASC48	16.50	SCM48	15.40
3/4"	2-3/8"	70	ASC68	28.95	SCM68	20.50
1"	2-1/2"	100	ASC88	35.85	SCM88	37.50



aluminum



brass

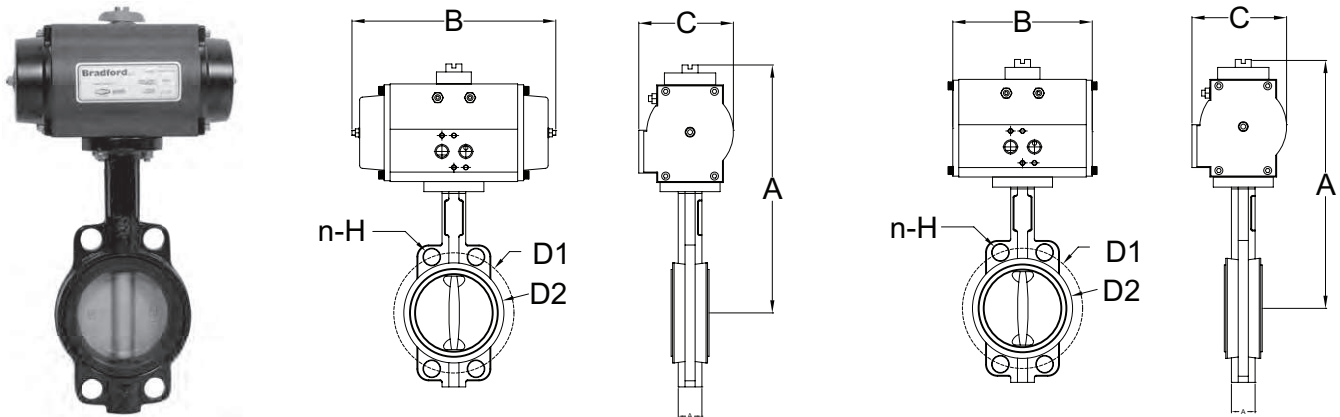
Pneumatically Actuated Wafer Butterfly Valves

Valves

- cast iron body with extended neck
- nickel plated ductile iron disc
- seat backing ring ensures blowout proof service
- installs between standard ANSI Class 150# flanges
- conforms to MSS-SP-67, MSS-SP-25, API-609
- no taper pins
- field repairable (seat kits available)
- undercut available
- replaceable EPDM seat
- maximum pressure **200 PSI** (bi-directional)
- temperature range **-20°F to 250°F**
- A wide variety of seat, disc and body materials are available

Rack and Pinion Actuator

- bi-directional stops for $\pm 5^\circ$ travel adjustment
- 80 PSI plant air required
- maximum operating pressure: 120 PSI
- operating temperature range: **-40°F to +200°F**
- hard anodized aluminum body
- Namur mounting
- nickel plated anti-blowout pinion
- Buna-N O-rings
- visual position indication
- tested to 1 million cycles



All dimensions are given in inches, unless noted. Dimensions are approximate. Engineering dimensions are available upon request. Specifications are subject to change without notice.

Wafer Spring Return

Size	A	B	C	D1	D2	n-H (mm)	Part #	Price/E
1½"	9.61	8.09	3.74	3.88	3.74	4-18	B5121E150WW-BBC	\$808.15
2"	9.8	8.09	3.74	4.75	3.82	4-18	B5121E200WW-BBC	812.65
2½"	11.65	9.84	4.69	5.5	4.45	4-18	B5121E250WW-BBC	1065.75
3"	11.89	9.84	4.69	6	4.92	4-18	B5121E300WW-BBC	1078.05
4"	12.63	9.84	4.69	7.5	6.14	4-22	B5121E400WW-BBC	1121.90
5"	13.94	13.98	5.53	8.5	7.36	4-22	B5121E500WW-BBC	1521.80
6"	14.45	13.98	5.53	9.5	8.46	4-22	B5121E600WW-BBC	1585.65
8"	17.17	16.6	7.29	11.75	10.51	4-22	B5121E800WW-BBC	2920.00
10"	19.21	19.17	8.06	14.25	13	4-26	B5121E1000WWBCC	3986.70
12"	22.87	25.28	9.37	17	14.96	4-26	B5121E1200WWBCC	4863.95

Wafer Double Acting

Size	A	B	C	D1	D2	n-H (mm)	Part #	Price/E
1½"	9.61	5.87	3.74	3.88	3.74	4-18	B5121E150WW-BCC	\$668.55
2"	9.8	5.87	3.74	4.75	3.82	4-18	B5121E200WW-BCC	673.05
2½"	10.75	5.87	3.74	5.5	4.45	4-18	B5121E250WW-BCC	710.65
3"	10.99	5.87	3.74	6	4.92	4-18	B5121E300WW-BCC	723.05
4"	11.73	5.87	3.74	7.5	6.14	4-22	B5121E400WW-BCC	797.40
5"	13.15	7.2	4.69	8.5	7.36	4-22	B5121E500WW-BCC	1043.55
6"	13.66	7.2	4.69	9.5	8.46	4-22	B5121E600WW-BCC	1107.30
8"	15.79	10.22	5.53	11.75	10.51	4-22	B5121E800WW-BCC	1617.10
10"	17.05	10.22	5.53	14.25	13	4-26	B5121E1000WWBCC	1878.15
12"	20.2	11.98	7.29	17	14.96	4-26	B5121E1200WWBCC	3067.50

Pneumatically Actuated Lug Butterfly Valves

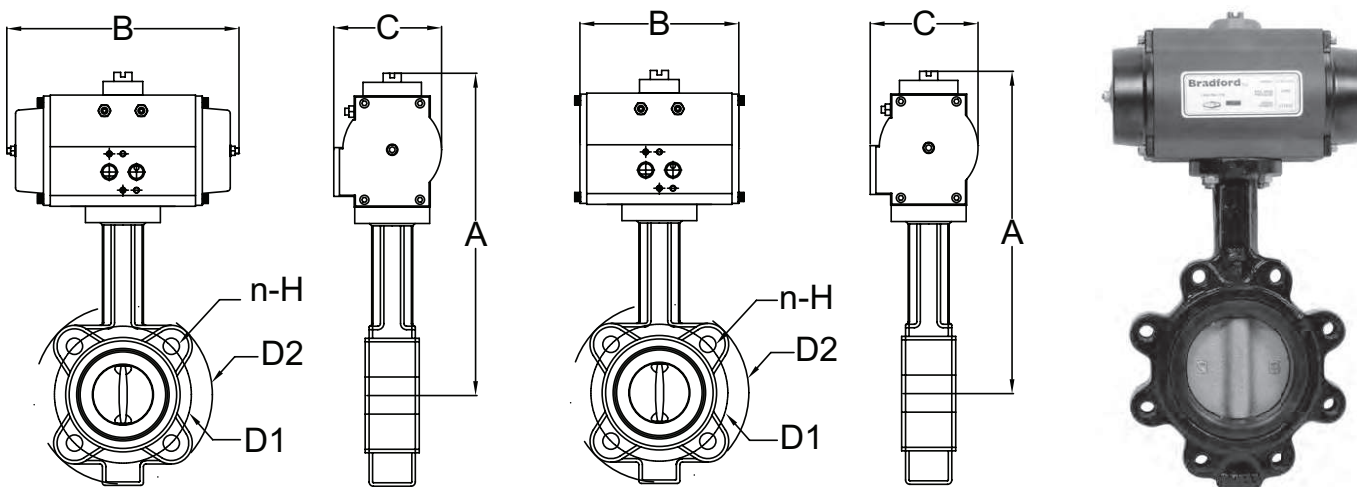
Valves

- cast iron body with extended neck
- nickel plated ductile iron disc
- seat backing ring ensures blowout proof service
- installs between standard ANSI Class 150# flanges
- conforms to MSS-SP-67, MSS-SP-25, API-609
- no taper pins
- field repairable (seat kits available)
- undercut available
- replaceable EPDM seat
- maximum pressure **200 PSI** (bi-directional)
- temperature range **-20°F to 250°F**
- a wide variety of seat, disc and body materials are available

Rack and Pinion Actuator

- bi-directional stops for $\pm 5^\circ$ travel adjustment
- 80 PSI plant air required
- maximum operating pressure: **120 PSI**
- operating temperature range: **-40°F to +200°F**
- hard anodized aluminum body
- Namur mounting
- nickel plated anti-blowout pinion
- Buna-N O-rings
- visual position indication
- tested to 1 million cycles

Note: A wide variety of switches, solenoids, positioners, etc., are available. Contact the factory for details.



All dimensions are given in inches, unless noted. Dimensions are approximate. Engineering dimensions are available upon request. Specifications are subject to change without notice.

Lug Spring Return

Size	A	B	C	D1	D2	n-H (mm)	Part #	Price/E
2"	9.8	8.09	3.74	4.75	5.95	4-5/18-11 UNC	B5121E200LL-BBC	\$867.75
2½"	11.65	9.84	4.69	5.5	6.97	4-5/18-11 UNC	B5121E250LL-BBC	1102.95
3"	11.89	9.84	4.69	6	7.56	4-5/18-11 UNC	B5121E300LL-BBC	1127.65
4"	12.63	9.84	4.69	7.5	8.35	8-5/8-11 UNC	B5121E400LL-BBC	1204.00
5"	13.94	13.98	5.53	8.5	9.53	8-5/8-11 UNC	B5121E500LL-BBC	1618.25
6"	14.45	13.98	5.53	9.5	11.02	8-5/8-11 UNC	B5121E600LL-BBC	1747.00
8"	17.17	16.6	7.29	11.75	13.19	8-5/8-11 UNC	B5121E800LL-BBC	3065.15
10"	19.21	19.17	8.06	14.25	15.94	12-7/8-9 UNC	B5121E1000LLBCC	4216.90
12"	22.87	25.28	9.37	17	19.09	12-7/8-9 UNC	B5121E1200LLBCC	7211.90

Lug Double Acting

Size	A	B	C	D1	D2	n-H (mm)	Part #	Price/E
2"	9.8	5.87	3.74	4.75	5.95	4-5/18-11 UNC	B5121E200LL-BCC	\$655.65
2½"	10.75	5.87	3.74	5.5	6.97	4-5/18-11 UNC	B5121E250LL-BCC	754.20
3"	10.99	5.87	3.74	6	7.56	4-5/18-11 UNC	B5121E300LL-BCC	990.40
4"	11.73	5.87	3.74	7.5	8.35	8-5/8-11 UNC	B5121E400LL-BCC	1168.30
5"	13.15	7.2	4.69	8.5	9.53	8-5/8-11 UNC	B5121E500LL-BCC	1717.80
6"	13.66	7.2	4.69	9.5	11.02	8-5/8-11 UNC	B5121E600LL-BCC	1836.60
8"	15.79	10.22	5.53	11.75	13.19	8-5/8-11 UNC	B5121E800LL-BCC	3097.25
10"	17.05	10.22	5.53	14.25	15.94	12-7/8-9 UNC	B5121E1000LLBCC	614.55
12"	20.2	11.98	7.29	17	19.09	12-7/8-9 UNC	B5121E1200LLBCC	632.85

Cast Iron Y Line Strainers

- cast iron body, female x female NPT ends
- graphite gasket
- **400 PSI WOG, 250 PSI** working steam pressure
- plug ported for blowdown service

products used with the strainer:

- MNPT threaded close nipples, page 589
- brass ball valves, page 540
- MNPT threaded plugs, page 585



NPT Size	Description	Cast Iron		304 Stainless Replacement Screens	
		Part #	Price/E	Part #	Price/E
1/4"	20 x 20 mesh	Y001	\$26.70	P183000	\$27.50
3/8"	20 x 20 mesh	Y002	26.70	P183000	27.50
1/2"	20 x 20 mesh	Y003	32.05	P183000	27.50
3/4"	20 x 20 mesh	Y004	39.15	P180600	33.55
1"	20 x 20 mesh	Y005	48.90	P185800	28.05
1-1/4"	20 x 20 mesh	Y006	69.30	P187600	27.65
1-1/2"	20 x 20 mesh	Y007	85.35	G3231-00	17.40
2"	20 x 20 mesh	Y008	127.95	P191700	103.85

Bronze Y Line Strainers

- cast bronze body, female x female NPT ends
- **400 PSI WOG, 300 PSI** working steam pressure



NPT Size	Description	Bronze		304 Stainless Replacement Screens	
		Part #	Price/E	Part #	Price/E
1/4"	50 x 50 mesh	59-001	\$44.85	G3271-00	\$5.75
3/8"	50 x 50 mesh	59-002	44.85	G2457-00	6.25
1/2"	50 x 50 mesh	59-003	44.85	G2457-00	6.25
3/4"	20 x 20 mesh	59-004	85.05	G3224-00	5.65
1"	20 x 20 mesh	59-005	112.65	G3225-00	12.45
1-1/4"	20 x 20 mesh	59-006	202.70	G3231-00	17.40
1-1/2"	20 x 20 mesh	59-007	224.85	G3229-00	18.75
2"	20 x 20 mesh	59-008	368.60	G3230-00	14.55

Polypropylene Y Line Strainers

- protects and prevents clogging of pipelines, pumps and spray tips
- glass-filled polypropylene body, female x female NPT ends
- easy access for cleaning
- maximum working pressure **90 PSI** at 70°F



NPT Size	Description	Polypropylene		304 Stainless Replacement Screens	
		Part #	Price/E	Part #	Price/E
3/4"	40 mesh	PYLS7540	\$34.40	61450	\$16.10
1"	40 mesh	PYLS10040	42.80	61746	17.05
1 1/2"	40/20 mesh	PYLS15040	93.75	61509	40.40
2"	40/20 mesh	PYLS20040	93.75	61509	40.40

Polypropylene T Line Strainers

- white polypropylene allows easy inspection
- female x female NPT ends
- 40 mesh stainless steel screen
- maximum working pressure **100 PSI** at 70°F



NPT Size	Description	Polypropylene		Stainless Replacement Screens	
		Part #	Price/E	Part #	Price/E
¾"	40 mesh	PTLS7540	\$25.45	61405	\$10.50
1"	40 mesh	PTLS10040	25.45	61405	10.50

Polypropylene Single Union Ball Valves

- rated to **125 PSI** at 70°F
- corrosion resistant polypropylene
- Teflon® ball seats
- EPDM O-rings
- FDA approved material
- full port

female NPT x female NPT

Size	Port Type	Polypropylene		Pkg Qty
		Part #	Price/E	
½"	full	SUBV50	\$19.40	24
¾"	full	SUBV75	21.00	24
1"	full	SUBV100	26.90	24
1¼"	full	SUBV125	44.75	12
1½"	full	SUBV150	55.00	12
2"	full	SUBV200	70.00	12
3"	full	SUBV300	207.25	4



Polypropylene 45° Single Union Nozzle Valve

- rated to **125 PSI** at 70°F
- corrosion resistant polypropylene
- Teflon® ball seats
- EPDM O-rings
- FDA approved material
- full port

female NPT x nozzle

Size	Polypropylene		Pkg Qty
	Part #	Price/E	
1"	SUBVN100	\$28.00	24



Valves

Polypropylene Bolted Ball Valves

- ½" - 3" is rated to **125 PSI** at **70°F**;
4" is rated to **90 PSI** at **70°F**
- chemically-resistant, reinforced polypropylene
- Teflon® ball seats
- EPDM O-ring body seals, Viton® O-ring stem seals
- 304 stainless steel nuts and bolts
- FDA approved material

4-bolt valve design

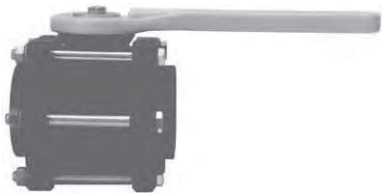
- PVFP style is full port;
PV style is standard port



female NPT x female NPT

Size	Port Type	Polypropylene		Opt Qty
		Part #	Price/E	
½"	full	PVFP50	\$45.90	24
¾"	full	PVFP75	45.90	24
1"	full	PVFP100	53.50	24
1½"	full	PVFP150	68.30	24
1"	standard	PV100	45.90	24
2"	standard	PV200	66.30	24

6-bolt valve design



- full port
- #### female NPT x female NPT

Size	Port Type	Polypropylene		Opt Qty
		Part #	Price/E	
2"	full	PVFP200	\$97.00	12
3"	full	PVFP300	233.40	8
4"	full	PVFP400	469.75	4

Polypropylene Bolted Ball Valve with Nozzle

- rated to **125 PSI** at **70°F**
- chemically-resistant, reinforced polypropylene
- Teflon® ball seat
- EPDM O-ring body seals, Viton® O-ring stem seals
- 304 stainless steel nuts and bolts
- FDA approved material
- body-to-flange design allows for low torque operation
- PVFPN style is full port; PVN style is standard port



female NPT x nozzle

Size	Port Type	Polypropylene		Opt Qty
		Part #	Price/E	
1½"	full	PVFPN150	\$93.40	12
2"	full	PVFPN200	131.40	9
2"	standard	PVN200	96.25	12

Polypropylene Compact Bolted Ball Valves

- rated to **125 PSI** at **70°F**
- chemically-resistant, reinforced polypropylene
- Teflon® ball seats
- EPDM O-ring body seals, Viton® O-ring stem seals
- 304 stainless steel nuts and bolts
- FDA approved material
- full port



female NPT x female NPT

Size	Port Type	Body Length	Polypropylene	
			Part #	Price/E
2"	full	4-7/8"	PVFP200	\$76.50



female NPT x male adapter

Size	Port Type	Body Length	Polypropylene	
			Part #	Price/E
2"	full	6-7/8"	PVFP200	\$76.50

Ductile Iron Butterfly Valves

NOT RECOMMENDED FOR STEAM SERVICE

SAFETY
ALERT

- for use between two 150 lb. flanges
- will lock "open" or "closed"
- rated to **200 PSI** at ambient temperature (70°F)

- ductile iron body, ASTM A536
- aluminum bronze disc, ASTM B148, ALY.954
- Buna-N seal and stem seals
- PTFE bushing
- stainless steel top and bottom stems
- The number of holes on the valve should match the number of holes for the specific flange size. See the Pipe and Flange dimensions chart on page 661.

threaded lug style with bronze disc

Size	with Buna-N liner		with EPDM liner	
	Part #	Price/E	Part #	Price/E
2"	BFVL200	\$145.00	BFVL200E	\$145.00
3"	BFVL300	181.25	BFVL300E	181.25
4"	BFVL400	270.00	BFVL400E	270.00
6"	BFVL600	475.00	BFVL600E	475.00



- ductile iron body, ASTM A536
- aluminum bronze disc, ASTM B148, ALY.954
- Buna-N seal and stem seals
- PTFE bushing
- stainless steel top and bottom stems
- The number of holes on the valve depends on the body size.

wafer style with bronze disc

Size	with Buna-N liner		with EPDM liner	
	Part #	Price/E	Part #	Price/E
2"	BBFVW200	\$133.00	BBFVW200E	\$133.00
3"	BBFVW300	170.00	BBFVW300E	170.00
4"	BBFVW400	240.00	BBFVW400E	240.00
6"	BBFVW600	420.00	BBFVW600E	420.00



- ductile iron body, ASTM A536
- stainless steel disc, ASTM A351, GR. CF-8M
- Buna-N seal and stem seals
- PTFE bushing
- stainless steel top and bottom stems
- The number of holes on the valve depends on the body size.

wafer style with stainless disc

Size	with Buna-N liner	
	Part #	Price/E
2"	BFVW200	\$150.00
3"	BFVW300	185.00
4"	BFVW400	250.00
6"	BFVW600	527.85



Valves



Spring-Loaded Check Valves



- 1/2" - 2" rated to **400 PSI** WOG;
3" - 4" rated to **175 PSI** WOG
- cracking pressure: 0.50 PSI
- brass with NBR seat
- soft seat for bubble tight shutoff, spring loaded for fast seating action
- flow profile designed to minimize head loss
- temperature range **10°F to 210°F** (-10°C to 100°C)
- Underwriters approved

NPT Size	Brass	
	Part #	Price/E
1/2"	CV050 *	\$18.30
3/4"	CV075 *	24.55
1"	CV100 *	33.20
1 1/4"	CV125 *	52.25
1 1/2"	CV150 *	77.95
2"	CV200 *	110.80
3"	CV300	349.55
4"	CV400	541.00

* NSF61 approved



Strainer with Spring-Loaded Check Valves



- 1 1/2" - 2" rated to **400 PSI** WOG;
3" - 4" rated to **175 PSI** WOG
- cracking pressure: 0.50 PSI
- brass with NBR seat
- stainless steel strainer
- soft seat for bubble tight shutoff, spring loaded for fast seating action
- flow profile designed to minimize head loss
- temperature range **10°F to 210°F** (-10°C to 100°C)
- Underwriters approved

NPT Size	Brass	
	Part #	Price/E
1 1/2"	BVFS20 *	\$88.05
2"	BVFS25 *	126.80
3"	BVFS35	372.80
4"	BVFS40	562.30

* NSF61 approved

Horizontal Swing Check Valves



- brass body
- brass disc
- for horizontal or vertical use
- Swing check valves are designed to prevent back flow in plumbing and liquid piping systems, while offering full flow performance with a minimum of turbulence or pressure loss.
- A positive seating disc allows flow only in one direction and a screw-in cap provides easy access for periodic cleaning.
- rated to **200 PSI** WOG
- temperature range **-20° to 150°F**

female NPT x female NPT

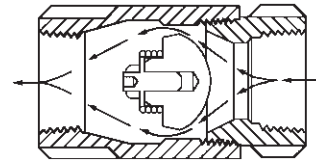
Size	Brass	
	Part #	Price/E
1/2"	SWCV50	\$19.90
3/4"	SWCV75	26.10
1"	SWCV100	35.55
1 1/4"	SWCV125	52.95
1 1/2"	SWCV150	71.10
2"	SWCV200	104.85
3"	SWCV300	309.80

Ball Cone Check Valves

- For use with water, oil, air lines or inert gases. Not recommended for use on or near reciprocating pumps or other similar vibration causing machinery.
- tight shut-off with liquid media
- no radial alignment necessary
- straight through and streamlined for minimum change in velocity
- Reinforced TFE check is spring loaded for fast seating action.
- rated to **400 PSI** WOG, cold non-shock; **125 PSI** saturated steam
- cracking pressure is .5 PSI
- temperature range **-20°F to 353°F**

Pressure Ratings

Degrees in Farenheit	Pressure WOG
-20 to 100	400
200	200
250	160
275	150
300	140
325	130
353	125



female NPT x female NPT

Size	Brass		316 Stainless Steel	
	Part #	Price/E	Part #	Price/E
1/4"	61-101	\$55.50	62-101	\$125.00
3/8"	61-102	55.50	62-102	125.00
1/2"	61-103	55.50	62-103	147.15
3/4"	61-104	79.00	62-104	235.95
1"	61-105	106.90	62-105	321.15
1-1/4"	61-106	189.00	62-106	449.80
1-1/2"	61-107	240.60	62-107	630.00
2"	61-108	392.00	62-108	1080.00
2-1/2"	61-109	800.00	---	---
3"	61-100	1337.25	---	---



male NPT x female NPT

Size	Brass	
	Part #	Price/E
1/4"	61-201	\$78.30
3/8"	61-202	74.00
1/2"	61-203	74.00
3/4"	61-204	97.00
1"	61-205	140.00
1-1/4"	61-206	236.00
1-1/2"	61-207	300.00
2"	61-208	500.00

