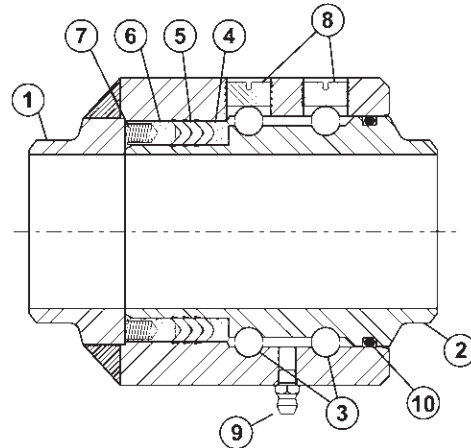


V-Ring Swivel Joints

V-Ring Parts Identification List

1. body
2. sleeve
3. ball bearings
4. seal retainer
5. V-ring (pressure) seal
6. spring retainer
7. spring
8. ball retainer screw
9. grease fitting
10. O-ring (dust) seal

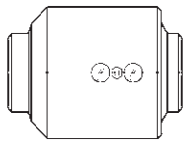


©
Swivel
Joints

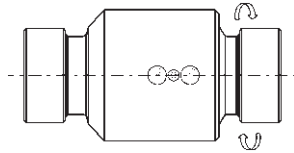
V-Ring Features:

- The spring-loaded triple V-ring sealing system ensures a leak proof seal at either high or low pressure and an extended seal life compared to the conventional single O-ring design.
- The 3" - 8" carbon steel swivels are manufactured from carbon steel with flame hardened dual raceways for greater load bearing capacity and longer life.
- The stainless steel swivels are manufactured in 316 grade stainless steel for superior corrosion resistance.
- available with pressure ratings to 1,000 PSI
- available in carbon steel, stainless steel and aluminum
- **optional 100% full penetration welding available**

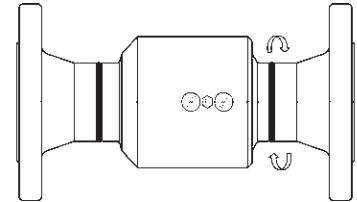
Single Plane V-Ring Style 20



weld end x weld end
sizes 2" - 8"

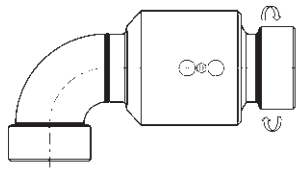


female NPT x female NPT
sizes 2" - 6"

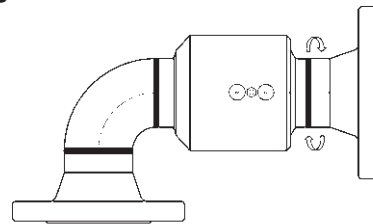


150# ASA flange x 150# ASA flange
sizes 2" - 8"

Single Plane V-Ring Style 30

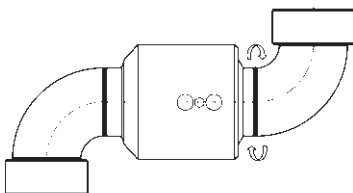


female NPT x female NPT
sizes 2" - 6"

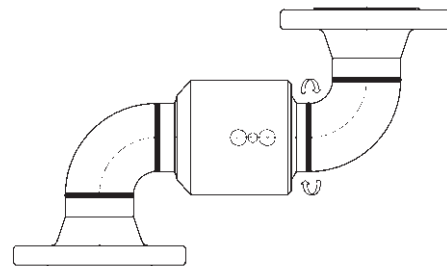


150# ASA flange x 150# ASA flange
sizes 2" - 8"

Single Plane V-Ring Style 40

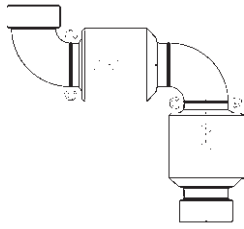


female NPT x female NPT
sizes 2" - 6"

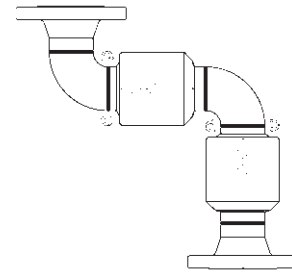


150# ASA flange x 150# ASA flange
sizes 2" - 8"

Double Plane V-Ring Style 50

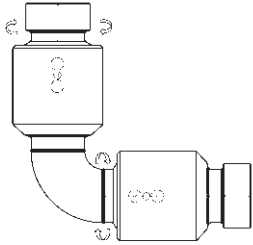


female NPT x female NPT
sizes 2" - 6"

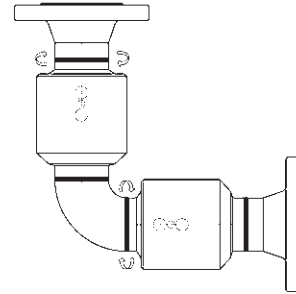


150# ASA flange x 150# ASA flange
sizes 2" - 8"

Double Plane V-Ring Style 60

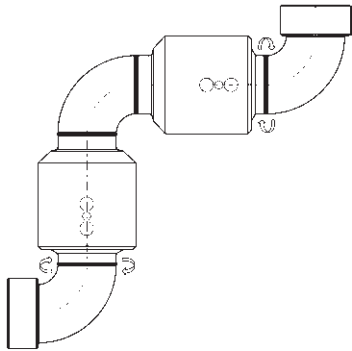


female NPT x female NPT
sizes 2" - 6"

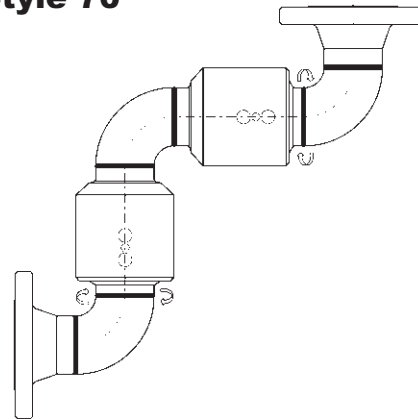


150# ASA flange x 150# ASA flange
sizes 2" - 8"

Double Plane V-Ring Style 70

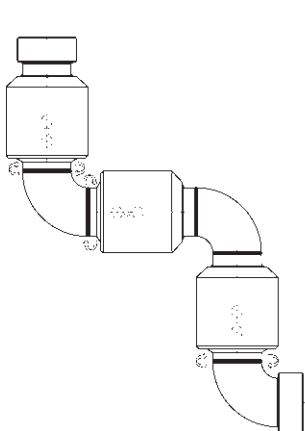


female NPT x female NPT
sizes 2" - 6"

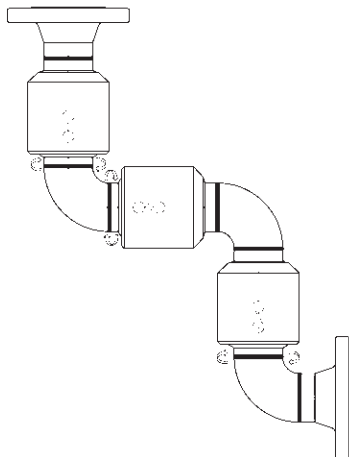


150# ASA flange x 150# ASA flange
sizes 2" - 8"

Triple Plane V-Ring Style 80

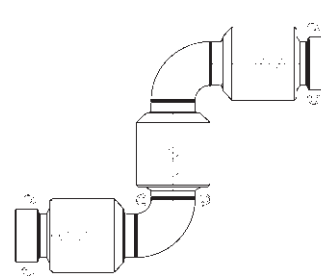


female NPT x female NPT
sizes 2" - 6"

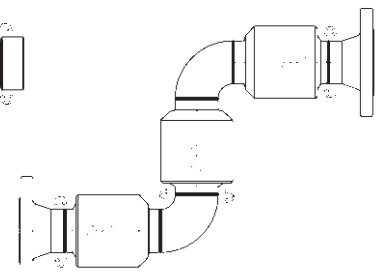


150# ASA flange x 150# ASA flange
sizes 2" - 8"

Triple Plane V-Ring Style 10



female NPT x female NPT
sizes 2" - 6"



150# ASA flange x 150# ASA flange
sizes 2" - 8"

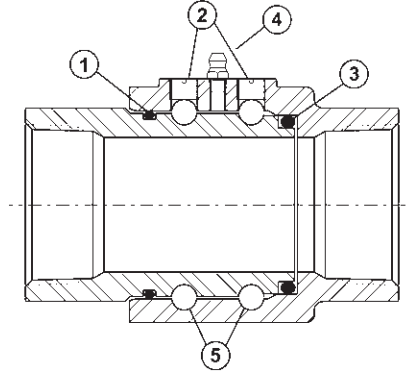
Crowder Supply Co., Inc. • 8495 Roslyn St., Commerce City, CO 80022 • Toll Free: 888-883-5144 • www.CrowderSupply.com



O-Ring Swivel Joints

O-Ring Parts Identification List

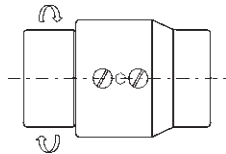
1. O-ring (dust) seal
2. ball retainer screw
3. O-ring (pressure) seal
4. grease fitting
5. ball bearings



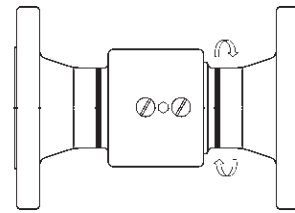
©
Swivel
Joints

- The O-ring pressure seal ensures a leak-proof seal at either high or low pressure and smoother rotation at lower torques than multiple seal designs.
- Spring-loaded Teflon® pressure seals are available up through 3".
- Carbon steel and stainless steel O-ring type swivels provide greater strength and corrosion resistance needed for lower torque applications.
- available in carbon steel, stainless steel, aluminum, brass and iron
- **optional 100% full penetration welding available**

Single Plane O-Ring Style 20

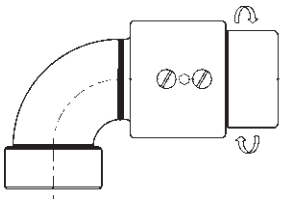


female NPT x female NPT
sizes 1" - 4"

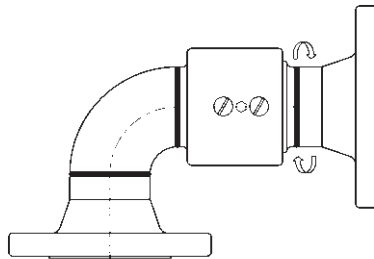


150# ASA flange x 150# ASA flange
sizes 1" - 4"

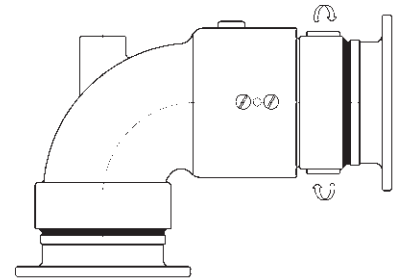
Single Plane O-Ring Style 30



female NPT x female NPT
sizes 1" - 4"

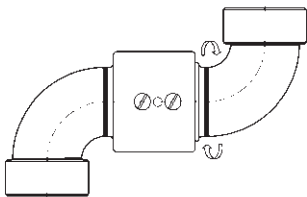


150# ASA flange x 150# ASA flange
sizes 1" - 4"

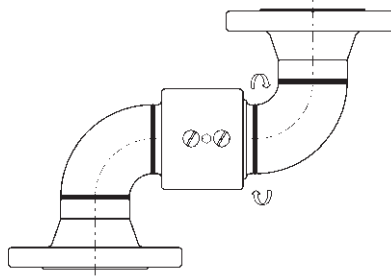


tank truck flange x tank truck flange
sizes 2" - 4"

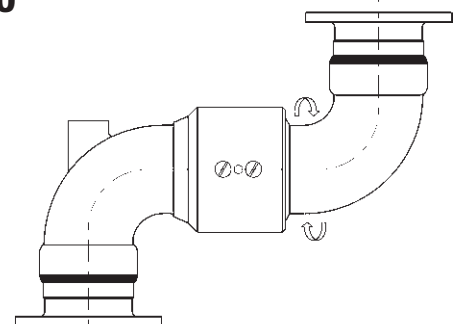
Single Plane O-Ring Style 40



female NPT x female NPT
sizes 1" - 4"

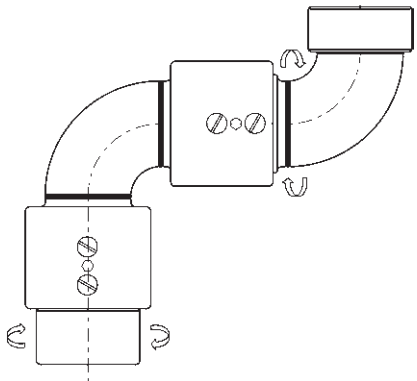


150# ASA flange x 150# ASA flange
sizes 1" - 4"

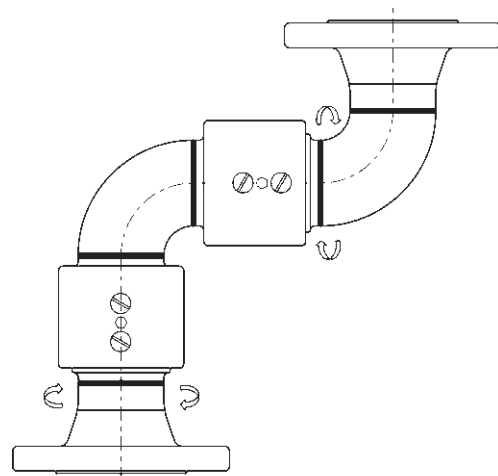


tank truck flange x tank truck flange
sizes 2" - 4"

Double Plane O-Ring Style 50

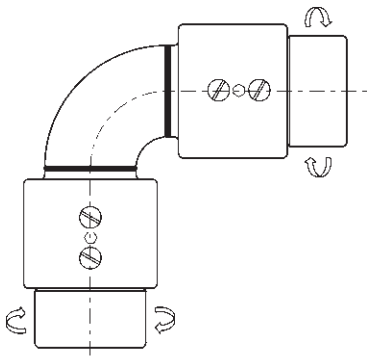


female NPT x female NPT
sizes 1" - 4"

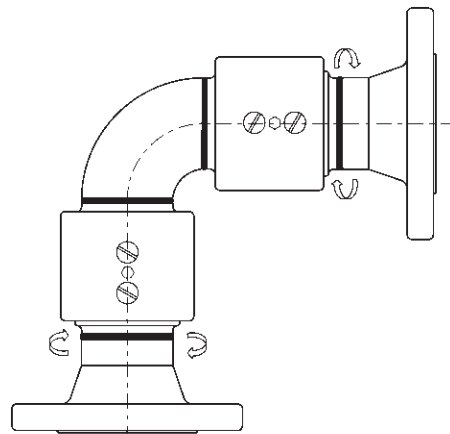


150# ASA flange x 150# ASA flange
sizes 1" - 4"

Double Plane O-Ring Style 60

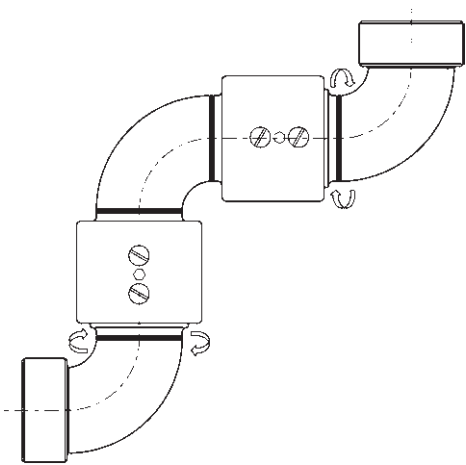


female NPT x female NPT
sizes 1" - 4"

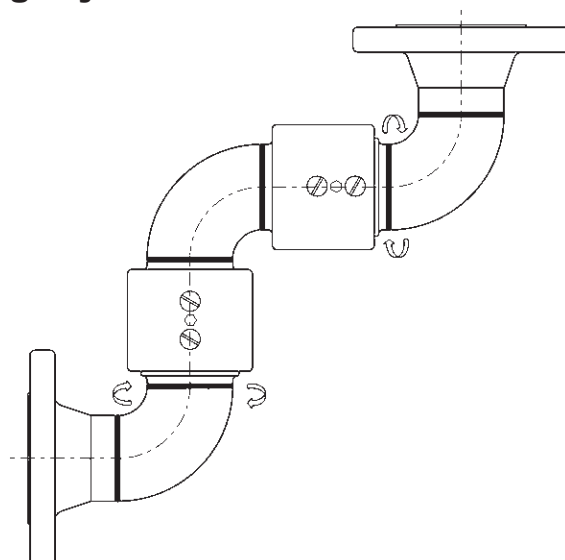


150# ASA flange x 150# ASA flange
sizes 1" - 4"

Triple Plane O-Ring Style 70



female NPT x female NPT
sizes 1" - 4"



150# ASA flange x 150# ASA flange
sizes 1" - 4"

Ordering Information - Swivels

To select the proper swivel joint you need the following information:

Size: _____ Style (shape): _____

End Configuration: _____ Material: _____

Maximum Working Pressure: _____ Temperature Range: _____

Product being handled: (if a chemical, please advise concentration) _____

If for constant rotation, advise RPM: _____

If for suction service, advise maximum vacuum in inches of Mercury (Hg): _____

Dixon's sales and engineering staff will be happy to help you evaluate your swivel application. Please call 800.355.1991.

Example	<i>swivel size</i> <u>2</u> [A]	<i>swivel style</i> <u>20</u> [B]	<i>end configuration</i> <u>F</u> [C]	X	<i>end configuration</i> <u>F</u> [C]	<i>swivel material</i> <u>CS</u> [D]	<i>pressure seal (Buna-N standard)</i> <u>0</u> [E]	<i>dust seal (Buna-N standard)</i> <u>0</u> [F]	<i>retainers (V-Ring ONLY)</i> <u>1</u> [G]	<i>ball bearings (carbon steel standard)</i> <u>0</u> [H]	<i>grease</i> <u>0</u> [I]
----------------	----------------------------------------------	------------------------------------------------	----------------------------------------------------	---	----------------------------------------------------	---------------------------------------------------	----------------------------------------------------------------------	------------------------------------------------------------------	--------------------------------------------------------------	----------------------------------------------------------------------------	-----------------------------------------

[A] Size

[B] Style (see diagrams)

[C] End Connections

W
Weld End

F
Female End

FG
150# ASA Flange

TF
Tank Truck Flange

PF
300# ASA flange
(not available on aluminum)

[D] Material

CS (V-Ring)
carbon steel

SS (V-Ring)
stainless steel

AL
aluminum

BR
brass

MI
malleable iron

OC (O-Ring)
carbon steel

OS (O-Ring)
stainless steel

Code #	[E] Pressure Seal	[F] Dust Seal	[G] Retainers	[H] Ball Bearings	[I] Grease
0	Buna-N (standard)	Buna-N (standard)	No retainers (O-ring swivels)	Carbon steel (standard)	Standard
1	Viton®	Viton®	Aluminum (standard in CS V-ring)	440 grade stainless	FDA approved/ Food grade
2	Teflon®	---	Teflon® (standard in SS V-ring)	316 grade stainless	Silicone (required with EPR seals)
3	Ethylene Propylene (requires silicone grease)	Ethylene Propylene (requires silicone grease)	---	---	---
4	FDA Buna (O-ring only)	FDA Buna	---	---	---

The swivel should be packed so that the surfaces coming in contact with the fluid being handled are compatible with that fluid. In the case of the use of the swivel in submerged service this would include the dust seals and ball bearings.

Dixon always recommends the use of stainless steel ball bearings when building a swivel for submerged service since the standard carbon steel bearings could rust together making it impossible to disassemble the swivel and possibly affecting its operation.