

## Straub Grip-L Axial Restraint Pipe Couplings

Straub Grip-L couplings are suitable particularly for pipes within the lower pressure range. Applications include, but are not limited to: ship building, water and waste water treatment plants and industrial process pipework.

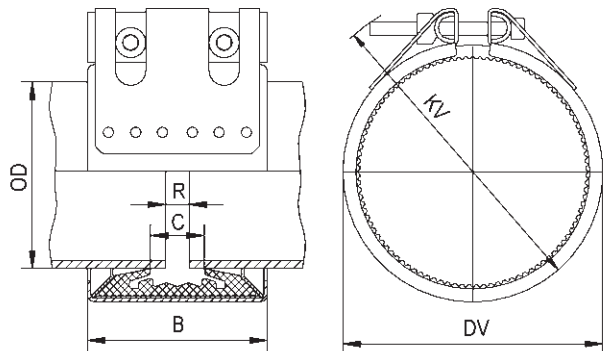
- Joins like or dissimilar pipe materials: steel, galvanized, painted, stainless steel, thin-wall stainless steel, PVC, copper
- Requires no special tools or pipe-end preparation; only a torque wrench is required for a secure and safe pipe connection that seldom needs retightening.
- highest quality 316 Ti stainless steel construction
- accommodates up to 5° of pipe misalignment
- vary gap between pipe ends
- absorbs vibration, water hammer, and sound
- special patented grip ring for superior holding power on hard-surfaced pipes
- 5 year limited warranty
- reusable
- built to ASTM 1476, Type 2, Class 2 specifications

### Specifications:

- casing: AISI 316Ti
- screws: AISI 316 L
- bolts: AISI 316 Ti
- anchoring ring: AISI 301
- sealing sleeve: EPDM standard (NBR and Viton® A are also available, contact Dixon for additional information)
- EPDM sealing sleeve: temperature range - 4°F to 176°F (-20°C to 80°C)

### Approvals:

- American Bureau of Shipping (ABS)  
up to 232 PSI on ¾" - 5"; 188 PSI on 6"; 145 PSI on 8"
- Underwriter's Laboratories (UL)
- National Sanitation Foundation (NSF)



| Size | Pipe OD |                     | Working Pressure<br>PSI | Coupling Dimensions |      | Assembled Dimensions |       | Maximum Distance<br>Between Pipe End<br>R | Stainless Steel |                 |
|------|---------|---------------------|-------------------------|---------------------|------|----------------------|-------|---|-----------------|-----------------|
|      | actual  | range<br>min to max |                         | B                   | C    | DV                   | KV    |   | Part #          | Price/E         |
| ¾"   | 1.05"   | 1.04" to 1.08"      | <b>670</b>              | 1.8"                | 0.7" | 1.7"                 | 2.8"  | 0.2"                                      | <b>STR20000</b> | <b>\$169.30</b> |
| 1"   | 1.31"   | 1.31" to 1.35"      | <b>550</b>              | 1.8"                | 0.7" | 2"                   | 3"    | 0.2"                                      | <b>STR20100</b> | <b>179.30</b>   |
| 1½"  | 1.90"   | 1.88" to 1.92"      | <b>440</b>              | 2.4"                | 1.0" | 2.6"                 | 3.9"  | 0.2"                                      | <b>STR20300</b> | <b>221.95</b>   |
| 2"   | 2.37"   | 2.35" to 2.40"      | <b>320</b>              | 3.0"                | 1.5" | 3.1"                 | 4.3"  | 0.4"                                      | <b>STR20450</b> | <b>259.90</b>   |
| 2½"  | 2.87"   | 2.85" to 2.90"      | <b>450</b>              | 3.7"                | 1.6" | 3.9"                 | 5.3"  | 0.4"                                      | <b>STR20500</b> | <b>331.35</b>   |
| 3"   | 3.50"   | 3.46" to 3.54"      | <b>320</b>              | 3.7"                | 1.6" | 4.4"                 | 5.9"  | 0.4"                                      | <b>STR20650</b> | <b>365.00</b>   |
| 4"   | 4.50"   | 4.46" to 4.54"      | <b>232</b>              | 3.7"                | 1.6" | 5.4"                 | 6.7"  | 0.4"                                      | <b>STR20900</b> | <b>403.65</b>   |
| 5"   | 5.50"   | 5.51" to 5.62"      | <b>232</b>              | 4.3"                | 2.1" | 6.5"                 | 8.3"  | 0.4"                                      | <b>STR21150</b> | <b>598.10</b>   |
| 6"   | 6.63"   | 6.56" to 6.69"      | <b>232</b>              | 4.3"                | 2.1" | 7.6"                 | 9.1"  | 0.4"                                      | <b>STR21350</b> | <b>650.45</b>   |
| 8"   | 8.63"   | 8.54" to 8.71"      | <b>232</b>              | 5.6"                | 3.1" | 9.8"                 | 11.6" | 0.4"                                      | <b>STR21400</b> | <b>1136.50</b>  |

**SAFETY**  
ALERT

All Straub couplings require the correct use of a torque wrench for a safe and proper installation. Straub couplings must be torqued to the specified value as printed on each individual coupling. Failure to do so can result in serious injury or death.

**SAFETY**  
ALERT

**Not for steam or refrigerant service.**

## Straub Open-Flex 1L Couplings

Straub Open-Flex 1L couplings are suitable for repairing or joining pipes where access to the pipe end is difficult or not possible. This unique wrap-around design differs from similar type repair products because the installation or repair is permanent due to the unique flexible lipseal gasket design. Open-Flex couplings will also act as an expansion joint. *Straub Open-Flex couplings do require the pipes to be properly anchored and restrained as they are not pull-out resistant like the Straub Grip-L couplings.* Use Straub Open-Flex couplings to replace bolted sleeve type couplings (AWWA Std. C-219) or for permanent repairs or installation.

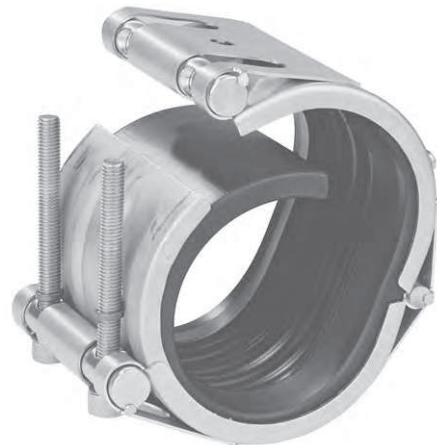
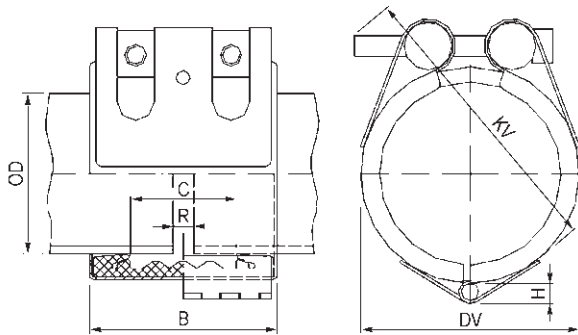
- Joins like or dissimilar pipe materials: steel, galvanized, painted, stainless steel, thin-wall stainless steel, PVC, copper
- Requires no special tools or pipe-end preparation; only a torque wrench is required for a secure and safe pipe connection that seldom needs retightening.
- highest quality 316 Ti stainless steel construction
- accommodates up to 5° of pipe misalignment
- vary gap between pipe ends
- absorbs vibration, water hammer, and sound
- acts as an expansion joint; will accept up to .25" of axial movement
- 5 year limited warranty
- reusable
- conforms to ASTM 1476, Type 2, Class 3 specifications

**Specifications:**

- casing: AISI 316Ti
- screws: AISI 4135 steel
- bolts: AISI 12L 14 Galvanized
- EPDM sealing sleeve: temperature range - 4°F to 176°F (-20°C to 80°C)

**Approvals:**

- American Bureau of Shipping (ABS) up to 232 PSI
- Underwriter's Laboratories (UL)
- National Sanitation Foundation (NSF)



| Size | Pipe OD |                     | Working Pressure<br>PSI | Coupling Dimensions |      |     | Assembled Dimensions |      | Max. Distance<br>Between<br>Pipe End<br>R | Weight<br>(lbs.) | Stainless Steel |                 |
|------|---------|---------------------|-------------------------|---------------------|------|-----|----------------------|------|---|------------------|-----------------|-----------------|
|      | actual  | range<br>min to max |                         | B                   | C    | H   | DV                   | KV   |   |                  | Part #          | Price/E         |
| 1½"  | 1.90"   | 1.85" to 1.95"      | <b>363</b>              | 3.0"                | 1.4" | .28 | 2.8"                 | 3.3" | .20"                                      | 1.10             | <b>STR35001</b> | <b>\$268.95</b> |
| 2"   | 2.38"   | 2.32" to 2.42"      | <b>232</b>              | 3.0"                | 1.4" | .28 | 3.2"                 | 3.7" | .20"                                      | 1.34             | <b>STR35151</b> | <b>284.95</b>   |
| 2½"  | 2.88"   | 2.81" to 2.93"      | <b>232</b>              | 3.0"                | 1.4" | .36 | 3.2"                 | 3.7" | .20"                                      | 1.80             | <b>STR35201</b> | <b>310.00</b>   |
| 3"   | 3.50"   | 3.44" to 3.56"      | <b>232</b>              | 3.7"                | 2.0" | .36 | 4.4"                 | 4.9" | .20"                                      | 2.10             | <b>STR35351</b> | <b>324.95</b>   |
| 4"   | 4.50"   | 4.43" to 4.57"      | <b>232</b>              | 3.7"                | 2.0" | .36 | 5.4"                 | 5.9" | .20"                                      | 2.33             | <b>STR35651</b> | <b>343.65</b>   |
| 5"   | 5.56"   | 5.49" to 5.57"      | <b>232</b>              | 4.2"                | 2.4" | .38 | 6.4"                 | 7.1" | .20"                                      | 3.20             | <b>STR35901</b> | <b>433.80</b>   |
| 6"   | 6.63"   | 6.54" to 6.71"      | <b>232</b>              | 4.2"                | 2.4" | .38 | 7.5"                 | 8.1" | .20"                                      | 3.70             | <b>STR36051</b> | <b>464.80</b>   |

**SAFETY**  
ALERT

**Not pull-out resistant.**

**SAFETY**  
ALERT

Ensure that pipes are properly anchored and supported.

Assembly tool available, **STR6648, \$348.55**

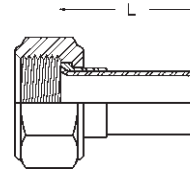


P  
Pipe &  
Welding

## Female Weld End Metal Hose Fittings

All fittings have 316 seamless stainless steel tubes

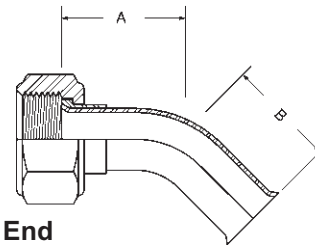
### Straight



Female Threaded 37° JIC x Weld End

| Tube OD | Pressure Rating PSI at 70°F | L Length | Gauge | 304 Stainless Steel Nut & Sleeve |         | Carbon Steel Nut & Sleeve |         |
|---------|-----------------------------|----------|-------|----------------------------------|---------|---------------------------|---------|
|         |                             |          |       | Part #                           | Price/E | Part #                    | Price/E |
| 1/4"    | 5000                        | 1.500"   | .049" | SFMF250                          | \$28.40 | FMF250                    | \$17.30 |
| 3/8"    | 4500                        | 1.500"   | .049" | SFMF375                          | 32.00   | FMF375                    | 21.20   |
| 1/2"    | 4000                        | 1.500"   | .049" | SFMF500                          | 52.55   | FMF500                    | 28.65   |
| 3/4"    | 2600                        | 1.500"   | .049" | SFMF750                          | 90.40   | FMF750                    | 42.10   |
| 1"      | 2500                        | 2.000"   | .049" | SFMF1000                         | 141.30  | FMF1000                   | 63.45   |
| 1 1/4"  | 2050                        | 2.375"   | .065" | SFMF1250                         | 240.15  | FMF1250                   | 126.05  |
| 1 1/2"  | 1700                        | 2.375"   | .065" | SFMF1500                         | 407.30  | FMF1500                   | 174.95  |
| 2"      | 1250                        | 2.500"   | .065" | SFMF2000                         | 790.55  | FMF2000                   | 325.05  |

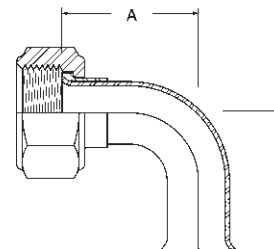
### 45° Elbow



Female Threaded 37° JIC x Weld End

| Tube OD | Pressure Rating PSI at 70°F | A Dim. | B Dim. | Bend Radius | Gauge | 304 Stainless Steel Nut & Sleeve |         | Carbon Steel Nut & Sleeve |         |
|---------|-----------------------------|--------|--------|-------------|-------|----------------------------------|---------|---------------------------|---------|
|         |                             |        |        |             |       | Part #                           | Price/E | Part #                    | Price/E |
| 1/4"    | 5000                        | 0.750" | 0.750" | 0.380"      | .049" | SFMF250-45                       | \$24.55 | FMF250-45                 | \$28.70 |
| 3/8"    | 4500                        | 1.000" | 1.000" | 0.500"      | .049" | SFMF375-45                       | 35.65   | FMF375-45                 | 38.25   |
| 1/2"    | 4000                        | 1.250" | 1.250" | 1.000"      | .049" | SFMF500-45                       | 62.35   | FMF500-45                 | 69.20   |
| 3/4"    | 2600                        | 1.450" | 1.450" | 1.500"      | .049" | SFMF750-45                       | 100.75  | FMF750-45                 | 71.50   |
| 1"      | 2500                        | 1.800" | 1.800" | 2.000"      | .049" | SFMF1000-45                      | 166.00  | FMF1000-45                | 107.25  |
| 1 1/4"  | 2050                        | 2.100" | 2.100" | 2.000"      | .065" | SFMF1250-45                      | 278.80  | FMF1250-45                | 200.15  |
| 1 1/2"  | 1700                        | 2.300" | 2.300" | 2.000"      | .065" | SFMF1500-45                      | 506.20  | FMF1500-45                | 293.80  |
| 2"      | 1250                        | 3.000" | 3.000" | 3.000"      | .065" | SFMF2000-45                      | 660.15  | FMF2000-45                | 609.75  |

### 90° Elbow

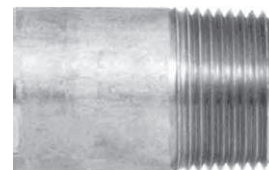


Female Threaded 37° JIC x Weld End

| Tube OD | Pressure Rating PSI at 70°F | A Dim. | B Dim. | Bend Radius | Gauge | 304 Stainless Steel Nut & Sleeve |         | Carbon Steel Nut & Sleeve |         |
|---------|-----------------------------|--------|--------|-------------|-------|----------------------------------|---------|---------------------------|---------|
|         |                             |        |        |             |       | Part #                           | Price/E | Part #                    | Price/E |
| 1/4"    | 5000                        | 1.000" | 1.000" | 0.375"      | .049" | SFMF250-90                       | \$32.30 | FMF250-90                 | \$33.70 |
| 3/8"    | 4500                        | 1.250" | 1.250" | 0.500"      | .049" | SFMF375-90                       | 36.50   | FMF375-90                 | 40.60   |
| 1/2"    | 4000                        | 1.830" | 1.830" | 1.000"      | .049" | SFMF500-90                       | 63.85   | FMF500-90                 | 58.95   |
| 3/4"    | 2600                        | 2.350" | 2.350" | 1.500"      | .049" | SFMF750-90                       | 108.45  | FMF750-90                 | 95.40   |
| 1"      | 2500                        | 3.100" | 3.100" | 2.000"      | .049" | SFMF1000-90                      | 173.05  | FMF1000-90                | 127.95  |
| 1 1/4"  | 2050                        | 3.500" | 3.500" | 2.000"      | .065" | SFMF1250-90                      | 308.85  | FMF1250-90                | 205.25  |
| 1 1/2"  | 1700                        | 3.750" | 3.750" | 2.000"      | .065" | SFMF1500-90                      | 432.20  | FMF1500-90                | 261.10  |
| 2"      | 1250                        | 4.900" | 4.900" | 2.000"      | .065" | SFMF2000-90                      | 866.80  | FMF2000-90                | 631.10  |

**NPT Threaded Pipe Fittings**

| Size   | Overall Length | Carbon Steel  |         | 304 Stainless Steel |         | Aluminum       |         |
|--------|----------------|---------------|---------|---------------------|---------|----------------|---------|
|        |                | Part #        | Price/E | Part #              | Price/E | Part #         | Price/E |
| 1/4"   | 2"             | <b>PN250</b>  | \$2.25  | <b>PNS250</b>       | \$7.80  | ---            | ---     |
| 3/8"   | 2"             | <b>PN375</b>  | 2.50    | <b>PNS375</b>       | 9.95    | ---            | ---     |
| 1/2"   | 2"             | <b>PN500</b>  | 1.80    | <b>PNS500</b>       | 11.20   | ---            | ---     |
| 3/4"   | 2"             | <b>PN750</b>  | 2.25    | <b>PNS750</b>       | 13.90   | ---            | ---     |
| 1"     | 2"             | <b>PN1000</b> | 3.35    | <b>PNS1000</b>      | 16.70   | ---            | ---     |
| 1 1/4" | 2"             | <b>PN1250</b> | 4.30    | <b>PNS1250</b>      | 20.85   | ---            | ---     |
| 1 1/2" | 2"             | <b>PN1500</b> | 5.10    | <b>PNS1500</b>      | 23.70   | ---            | ---     |
| 2"     | 2"             | <b>PN2000</b> | 6.55    | <b>PNS2000</b>      | 33.65   | ---            | ---     |
| 2 1/2" | 3"             | <b>PN2500</b> | 20.65   | <b>PNS2500</b>      | 78.25   | ---            | ---     |
| 3"     | 3"             | <b>PN3000</b> | 26.10   | <b>PNS3000</b>      | 105.80  | <b>APN3000</b> | \$43.25 |
| 4"     | 4"             | <b>PN4000</b> | 39.15   | <b>PNS4000</b>      | 161.35  | <b>APN4000</b> | 64.15   |

**Dixon Hex Nipples for Welding to Metal Hose**

| Size   | Carbon Steel <sup>1</sup> |         |         | Machined Brass |         | 304 Stainless Steel <sup>1</sup> |         |         | 316 Stainless Steel <sup>1</sup> |         |
|--------|---------------------------|---------|---------|----------------|---------|----------------------------------|---------|---------|----------------------------------|---------|
|        | Part #                    | Price/E | opt qty | Part #         | Price/E | Part #                           | Price/E | opt qty | Part #                           | Price/E |
| 1/4"   | <b>FM250</b>              | \$2.95  | 200     | <b>FMB250</b>  | \$6.00  | <b>FMS250</b>                    | \$9.50  | 200     | ---                              | ---     |
| 3/8"   | <b>FM375</b>              | 3.30    | 100     | <b>FMB375</b>  | 10.00   | <b>FMS375</b>                    | 11.85   | 100     | ---                              | ---     |
| 1/2"   | <b>FM500</b>              | 4.20    | 50      | <b>FMB500</b>  | 12.00   | <b>FMS500</b> <sup>2</sup>       | 11.20   | 50      | <b>FMR500</b> <sup>2</sup>       | \$12.00 |
| 3/4"   | <b>FM750</b>              | 5.35    | 50      | <b>FMB750</b>  | 15.00   | <b>FMS750</b> <sup>2</sup>       | 12.00   | 50      | <b>FMR750</b> <sup>2</sup>       | 14.05   |
| 1"     | <b>FM1000</b>             | 7.10    | 50      | <b>FMB1000</b> | 22.50   | <b>FMS1000</b> <sup>2</sup>      | 17.55   | 50      | <b>FMR1000</b> <sup>2</sup>      | 25.80   |
| 1 1/4" | <b>FM1250</b>             | 14.10   | 50      | ---            | ---     | <b>FMS1250</b>                   | 60.60   | 50      | ---                              | ---     |
| 1 1/2" | <b>FM1500</b>             | 15.10   | 50      | ---            | ---     | <b>FMS1500</b>                   | 60.80   | 50      | <b>FMR1500</b>                   | 60.05   |
| 2"     | <b>FM2000</b>             | 39.10   | 10      | ---            | ---     | ---                              | ---     | ---     | ---                              | ---     |

<sup>1</sup> Dixon suggests using 308 LSI welding rod<sup>2</sup> global stainless steel**Dixon Octagonal Nipples for Welding to Metal Hose**

| Size | Overall Length | Weld-On Length | Hex Length | Carbon Steel   |         | 304 Stainless Steel |         |
|------|----------------|----------------|------------|----------------|---------|---------------------|---------|
|      |                |                |            | Part #         | Price/E | Part #              | Price/E |
| 2"   | 2 1/2"         | 7/8"           | 9/16"      | <b>OCTOE32</b> | \$27.00 | <b>OCTOES32</b>     | \$51.00 |

**Dixon Octagonal Wrench Grips**

| Size   | Across Outside Flats | Across Inside Flats | Width | Carbon Steel |         | 304 Stainless Steel |         |
|--------|----------------------|---------------------|-------|--------------|---------|---------------------|---------|
|        |                      |                     |       | Part #       | Price/E | Part #              | Price/E |
| 1 1/2" | 2.230"               | 1.910"              | 9/16" | ---          | ---     | <b>OCTS24</b>       | \$14.30 |
| 2"     | 2.781"               | 2.385"              | 9/16" | <b>OCT32</b> | \$9.00  | <b>OCTS32</b>       | 16.20   |
| 3"     | 3.750"               | 3.510"              | 7/8"  | ---          | ---     | <b>OCTS48</b>       | 37.00   |



Pipe &amp; Welding

**Dixon Weld-On Hex Wrench Grips**

| Size   | Global Investment Cast Steel |         |
|--------|------------------------------|---------|
|        | Part #                       | Price/E |
| 1"     | <b>WN12</b>                  | \$6.30  |
| 1 1/4" | <b>WN16</b>                  | 5.90    |
| 1 1/2" | <b>WN21</b>                  | 5.90    |
| 2"     | <b>WN26</b>                  | 6.45    |
| 2 1/2" | <b>WN31</b>                  | 8.60    |
| 3"     | <b>WN36</b>                  | 10.40   |
| 4"     | <b>WN46</b>                  | 21.00   |





## Notched Turned Back Nipples

- When used with an appropriate notched ferrule, these fittings can be swaged or crimped onto hose, thereby providing improved shank retention.
- The stem can be removed from a damaged hose by cutting away the ferrule, without necessarily damaging the fitting. *After inspection to determine its suitability for reuse, it can be reinstalled into another hose by using a new ferrule.*
- When used with double bolt or band clamps, notched turned back nipples will provide shank retention similar to that of the King turned back nipples.
- Notched turned back nipples let you use the same ferrules used with the notched (NO) cam and groove on page 37. This lets you *maximize your inventory usage and reduce costs. You must purchase a fitting and the matching ferrule to create an assembly.*
- Stems are for use with lap joint flanges on page 573.

**SAFETY**  
ALERT



### stems

| Size | Carbon Steel  |                | 316 Stainless Steel |                |
|------|---------------|----------------|---------------------|----------------|
|      | Part #        | Price/E        | Part #              | Price/E        |
| 1½"  | <b>N150NO</b> | <b>\$31.50</b> | <b>RN150NO</b>      | <b>\$80.60</b> |
| 2"   | <b>N200NO</b> | <b>35.55</b>   | <b>RN200NO</b>      | <b>92.70</b>   |
| 2½"  | <b>N250NO</b> | <b>55.00</b>   | <b>RN250NO</b>      | <b>125.00</b>  |
| 3"   | <b>N300NO</b> | <b>84.25</b>   | <b>RN300NO</b>      | <b>162.00</b>  |
| 4"   | <b>N400NO</b> | <b>141.10</b>  | <b>RN400NO</b>      | <b>248.25</b>  |

\* Special pushers required: 1½" stem - RN150NOPUSH  
 2" stem - RN200NOPUSH  
 2½" stem - RN250NOPUSH  
 3" stem - RN300NOPUSH  
 4" stem - RN400NOPUSH



### ferrules

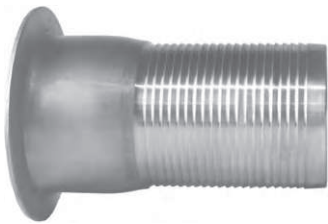
| Hose ID | Hose O.D. |          | 304 Stainless Steel |                |
|---------|-----------|----------|---------------------|----------------|
|         | from      | to       | Part #              | Price/E        |
| 1½"     | 1-60/64"  | 2-12/64" | <b>GAS2334NO</b>    | <b>\$34.80</b> |
|         | 2-4/64"   | 2-22/64" | <b>GAS2370NO</b>    | <b>37.20</b>   |
| 2"      | 2-30/64"  | 2-44/64" | <b>GAS2709NO</b>    | <b>31.80</b>   |
|         | 2-42/64"  | 2-54/64" | <b>GAS2885NO</b>    | <b>66.25</b>   |
| 2½"     | 2-54/64"  | 3"       | <b>GAS3012NO</b>    | <b>64.50</b>   |
|         | 3-1/64"   | 3-13/64" | <b>GAS3260NO</b>    | <b>68.80</b>   |
| 3"      | 3-30/64"  | 3-46/64" | <b>GAS3760NO</b>    | <b>45.40</b>   |
|         | 3-47/64"  | 3-54/64" | <b>GAS3885NO</b>    | <b>62.10</b>   |
| 4"      | 4-40/64"  | 4-47/64" | <b>GAS5010NO</b>    | <b>258.75</b>  |

**SAFETY**  
ALERT

Dixon stems and ferrules are specifically designed to be used together as a coupling system. Due to differences in dimensions and tolerances for safety reasons, do not use other manufacturer's stems or ferrules with Dixon Holedall products.

## King Turned Back Hose Nipples for Floating Flanges

- A turned back nipple, when used in a floating flange assembly, allows the flange to be aligned without stressing (twisting) the hose. This generally increases the hose's service life by eliminating a common cause of premature hose failure.
- for use with Lap Joint flanges shown on page 573



| Size | Plated Carbon Steel |                | 316 Stainless Steel |                 |
|------|---------------------|----------------|---------------------|-----------------|
|      | Part #              | Price/E        | Part #              | Price/E         |
| 1"   | <b>N10</b>          | <b>\$46.05</b> | <b>RN10</b>         | <b>\$119.40</b> |
| 1¼"  | <b>N15</b>          | <b>44.10</b>   | <b>RN15</b>         | <b>144.00</b>   |
| 1½"  | <b>N20</b>          | <b>78.20</b>   | <b>RN20</b>         | <b>152.35</b>   |
| 2"   | <b>N25</b>          | <b>84.70</b>   | <b>RN25</b>         | <b>203.70</b>   |
| 2½"  | <b>N30</b>          | <b>113.30</b>  | <b>RN30</b>         | <b>381.20</b>   |
| 3"   | <b>N35</b>          | <b>98.15</b>   | <b>RN35</b>         | <b>311.50</b>   |
| 4"   | <b>N40</b>          | <b>156.50</b>  | <b>RN40</b>         | <b>457.60</b>   |
| 6"   | <b>N60</b>          | <b>254.00</b>  | <b>RN60</b>         | <b>916.70</b>   |
| 8"   | <b>N80</b>          | <b>375.00</b>  | <b>RN80</b>         | <b>1457.80</b>  |
| 10"  | <b>N100</b>         | <b>624.75</b>  | <b>RN100</b>        | <b>0</b>        |
| 12"  | <b>N120</b>         | <b>1035.00</b> | <b>RN120</b>        | <b>0</b>        |

## King Turned Back Weld-To-Metal Hose Nipples

- MSS Type C
- for use with Slip-On and Lap Joint flanges shown on page 573



| Size | Length | Phono-Finish Face Schedule 40 Plated Carbon Steel |               | Phono-Finish Face Schedule 10 304 Stainless Steel |                | Smooth Face Schedule 10 304 Stainless Steel |                |
|------|--------|---|---------------|---|----------------|---|----------------|
|      |        | Part #  | Price/E       | Part #  | Price/E        | Part #                                      | Price/E        |
|      |        | ¾"  | 2"            | <b>NW5</b>  | <b>\$25.55</b> | <b>GNW5</b>                                 | <b>\$32.00</b> |
| 1"   | 2"     | <b>NW10</b>                                       | <b>27.05</b>  | <b>GNW10</b>                                      | <b>32.65</b>   | <b>GNWP10</b>                               | <b>20.80</b>   |
| 1¼"  | 2"     | <b>NW15</b>                                       | <b>39.75</b>  | <b>GNW15</b>                                      | <b>49.15</b>   | <b>GNWP15</b>                               | <b>58.95</b>   |
| 1½"  | 2"     | <b>NW20</b>                                       | <b>37.70</b>  | <b>GNW20</b>                                      | <b>57.00</b>   | <b>GNWP20</b>                               | <b>22.80</b>   |
| 2"   | 2½"    | <b>NW25</b>                                       | <b>40.65</b>  | <b>GNW25</b>                                      | <b>70.05</b>   | <b>GNWP25</b>                               | <b>28.15</b>   |
| 2½"  | 2½"    | <b>NW30</b>                                       | <b>54.00</b>  | <b>GNW30</b>                                      | <b>80.00</b>   | <b>GNWP30</b>                               | <b>35.50</b>   |
| 3"   | 2½"    | <b>NW35</b>                                       | <b>58.65</b>  | <b>GNW35</b>                                      | <b>88.85</b>   | <b>GNWP35</b>                               | <b>51.50</b>   |
| 4"   | 3"     | <b>NW40</b>                                       | <b>76.30</b>  | <b>GNW40</b>                                      | <b>108.25</b>  | <b>GNWP40</b>                               | <b>55.50</b>   |
| 6"   | 3½"    | <b>NW60</b>                                       | <b>114.60</b> | <b>GNW60</b>                                      | <b>255.00</b>  | <b>GNWP60</b>                               | <b>194.80</b>  |
| 8"   | 4"     | <b>NW80</b>                                       | <b>146.65</b> | <b>GNW80</b>                                      | <b>375.00</b>  | <b>GNWP80</b>                               | <b>270.30</b>  |
| 10"  | 5"     | <b>NW100</b>                                      | <b>295.00</b> | <b>GNW100</b>                                     | <b>525.00</b>  | <b>GNWP100</b>                              | <b>500.00</b>  |
| 12"  | 6"     | <b>NW120</b>                                      | <b>413.00</b> | <b>GNW120</b>                                     | <b>756.00</b>  | <b>GNWP120</b>                              | <b>526.30</b>  |

## 150 LB. ASA Forged Flanges

### Lap-Joint

- no raised face
- The lap joint flange is commonly called a Van Stone or a floating flange.

**New  
for 2012**

| Size | Carbon Steel  |                | 316 Stainless Steel |                 |
|------|---------------|----------------|---------------------|-----------------|
|      | Part #        | Price/E        | Part #              | Price/E         |
| 1"   | <b>LJ100</b>  | <b>\$54.00</b> | ---                 | ---             |
| 1¼"  | <b>LJ125</b>  | <b>36.00</b>   | ---                 | ---             |
| 1½"  | <b>LJ150</b>  | <b>37.00</b>   | <b>LJR150</b>       | <b>\$132.00</b> |
| 2"   | <b>LJ200</b>  | <b>38.00</b>   | <b>LJR200</b>       | <b>164.00</b>   |
| 2½"  | <b>LJ250</b>  | <b>62.00</b>   | ---                 | ---             |
| 3"   | <b>LJ300</b>  | <b>64.00</b>   | <b>LJR300</b>       | <b>320.00</b>   |
| 4"   | <b>LJ400</b>  | <b>93.00</b>   | <b>LJR400</b>       | <b>450.00</b>   |
| 5"   | <b>LJ500</b>  | <b>105.00</b>  | ---                 | ---             |
| 6"   | <b>LJ600</b>  | <b>127.30</b>  | <b>LJR600</b>       | <b>690.00</b>   |
| 8"   | <b>LJ800</b>  | <b>225.00</b>  | ---                 | ---             |
| 10"  | <b>LJ1000</b> | <b>280.00</b>  | ---                 | ---             |
| 12"  | <b>LJ1200</b> | <b>435.00</b>  | ---                 | ---             |



### Slip-On

- raised face

| Size | Carbon Steel  |                | 316 Stainless Steel |                 |
|------|---------------|----------------|---------------------|-----------------|
|      | Part #        | Price/E        | Part #              | Price/E         |
| 1"   | <b>SO100</b>  | <b>\$32.00</b> | ---                 | ---             |
| 1¼"  | <b>SO125</b>  | <b>32.00</b>   | ---                 | ---             |
| 1½"  | <b>SO150</b>  | <b>32.00</b>   | <b>SOR150</b>       | <b>\$140.00</b> |
| 2"   | <b>SO200</b>  | <b>36.05</b>   | <b>SOR200</b>       | <b>170.00</b>   |
| 2½"  | <b>SO250</b>  | <b>60.70</b>   | ---                 | ---             |
| 3"   | <b>SO300</b>  | <b>56.00</b>   | <b>SOR300</b>       | <b>300.00</b>   |
| 4"   | <b>SO400</b>  | <b>72.70</b>   | <b>SOR400</b>       | <b>390.00</b>   |
| 5"   | <b>SO500</b>  | <b>110.00</b>  | ---                 | ---             |
| 6"   | <b>SO600</b>  | <b>103.00</b>  | <b>SOR600</b>       | <b>600.00</b>   |
| 8"   | <b>SO800</b>  | <b>160.00</b>  | ---                 | ---             |
| 10"  | <b>SO1000</b> | <b>260.00</b>  | ---                 | ---             |
| 12"  | <b>SO1200</b> | <b>385.00</b>  | ---                 | ---             |



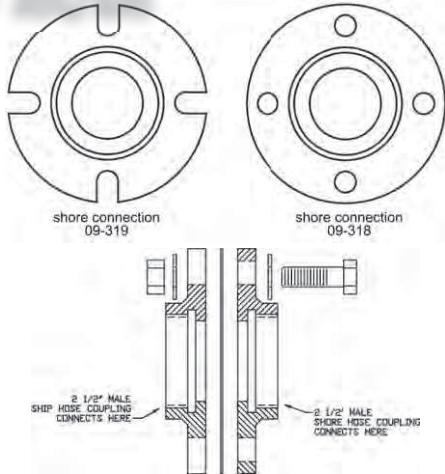
### NPT Threaded

- raised face

| Size | Carbon Steel |                | 316 Stainless Steel |                 |
|------|--------------|----------------|---------------------|-----------------|
|      | Part #       | Price/E        | Part #              | Price/E         |
| 1"   | <b>T100</b>  | <b>\$63.00</b> | ---                 | ---             |
| 1¼"  | <b>T125</b>  | <b>57.00</b>   | ---                 | ---             |
| 1½"  | <b>T150</b>  | <b>56.00</b>   | <b>TR150</b>        | <b>\$175.00</b> |
| 2"   | <b>T200</b>  | <b>60.00</b>   | <b>TR200</b>        | <b>230.00</b>   |
| 2½"  | <b>T250</b>  | <b>67.90</b>   | ---                 | ---             |
| 3"   | <b>T300</b>  | <b>72.00</b>   | <b>TR300</b>        | <b>330.00</b>   |
| 4"   | <b>T400</b>  | <b>88.00</b>   | <b>TR400</b>        | <b>433.50</b>   |
| 5"   | <b>T500</b>  | <b>150.80</b>  | ---                 | ---             |
| 6"   | <b>T600</b>  | <b>152.25</b>  | <b>TR600</b>        | <b>630.00</b>   |
| 8"   | <b>T800</b>  | <b>288.90</b>  | ---                 | ---             |
| 10"  | <b>T1000</b> | <b>755.00</b>  | ---                 | ---             |
| 12"  | <b>T1200</b> | <b>1025.00</b> | ---                 | ---             |



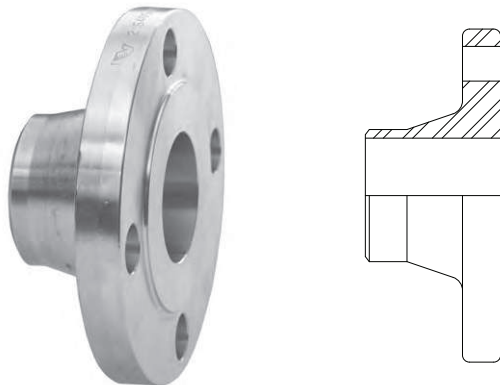
# New for 2012 Brass International Shore Connections



- meets U.S. Coast Guard specifications for vessels 1000 gross tons or more
- makes possible the connection of two different threads between ship and shore or between ships
- 7" OD brass flange with 4 3/4" holes
- solid wedge disc with tapered seats
- includes 8 washers, 4 hexagon brass nuts, 4 hex head bolts, 1 washer, 1 fiber gasket
- working pressure: **300 PSI**

| Description | Part #              | Wt. Lbs. | Price           |
|-------------|---------------------|----------|-----------------|
| shore side  | <b>09-318-00001</b> | 7.38     | <b>\$308.40</b> |
| ship side   | <b>09-319-00001</b> | 7.14     | <b>308.40</b>   |

## 150 LB. ASA Forged Flanges Weld Neck



- raised face

| Size   | Carbon Steel  |                |
|--------|---------------|----------------|
|        | Part #        | Price/E        |
| 1"     | <b>WN100</b>  | <b>\$45.25</b> |
| 1 1/4" | <b>WN125</b>  | <b>47.00</b>   |
| 1 1/2" | <b>WN150</b>  | <b>47.25</b>   |
| 2"     | <b>WN200</b>  | <b>53.00</b>   |
| 3"     | <b>WN300</b>  | <b>62.75</b>   |
| 4"     | <b>WN400</b>  | <b>74.50</b>   |
| 5"     | <b>WN500</b>  | <b>115.00</b>  |
| 6"     | <b>WN600</b>  | <b>113.00</b>  |
| 8"     | <b>WN800</b>  | <b>198.00</b>  |
| 10"    | <b>WN1000</b> | <b>310.00</b>  |

## 150 LB. MSS Flanges



| Size   | 316 Stainless Steel |                 |
|--------|---------------------|-----------------|
|        | Part #              | Price/E         |
| 1 1/2" | <b>TRMS150</b>      | <b>\$155.95</b> |
| 2"     | <b>TRMS200</b>      | <b>188.00</b>   |
| 3"     | <b>TRMS300</b>      | <b>294.75</b>   |
| 4"     | <b>TRMS400</b>      | <b>469.10</b>   |
| 6"     | <b>TRMS600</b>      | <b>878.65</b>   |

## Flange Gaskets

- standard drop-ring type all 1/16" thick
- reference page 627 for Joint Sealant Gasket Material

| Size   | Neoprene    |               | Klingsil® C-4401 |               |
|--------|-------------|---------------|------------------|---------------|
|        | Part #      | Price/E       | Part #           | Price/E       |
| 1"     | <b>NG10</b> | <b>\$1.60</b> | <b>AG10</b>      | <b>\$2.80</b> |
| 1 1/4" | <b>NG15</b> | <b>1.95</b>   | <b>AG15</b>      | <b>3.10</b>   |
| 1 1/2" | <b>NG20</b> | <b>1.95</b>   | <b>AG20</b>      | <b>3.20</b>   |
| 2"     | <b>NG25</b> | <b>2.10</b>   | <b>AG25</b>      | <b>3.35</b>   |
| 2 1/2" | <b>NG30</b> | <b>2.80</b>   | <b>AG30</b>      | <b>4.10</b>   |
| 3"     | <b>NG35</b> | <b>2.30</b>   | <b>AG35</b>      | <b>5.30</b>   |
| 4"     | <b>NG40</b> | <b>3.20</b>   | <b>AG40</b>      | <b>6.40</b>   |
| 5"     | <b>NG50</b> | <b>6.70</b>   | ---              | ---           |
| 6"     | <b>NG60</b> | <b>4.15</b>   | <b>AG60</b>      | <b>9.85</b>   |
| 8"     | <b>NG80</b> | <b>6.80</b>   | <b>AG80</b>      | <b>13.75</b>  |

For dimensional information and diagrams, see pages 660 and 661

## TTMA Series Flange Adapters

- provides a simple and easy way to quickly convert threaded components to a standard TTMA flange configuration
- more durable than welded fabrications due to the solid cast lightweight aluminum design
- design improves flow through adapter even on the 3" reducer
- compact size reduces the overall space needed to install
- for flange drilling standards, see page 661

### Male Threaded

#### TTMA flange x standard male NPT

| TTMA Flange | Male NPT | Aluminum          |                |
|-------------|----------|-------------------|----------------|
|             |          | Part #            | Price/E        |
| 3"          | 3"       | <b>TTF3AL-3MT</b> | <b>\$82.45</b> |
| 4"          | 3"       | <b>TTF4AL-3MT</b> | <b>62.05</b>   |
| 4"          | 4"       | <b>TTF4AL-4MT</b> | <b>57.55</b>   |



### Extended Length - Male Threaded

#### TTMA flange x extended length male NPT

| TTMA Flange | Male NPT | Aluminum           |                |
|-------------|----------|--------------------|----------------|
|             |          | Part #             | Price/E        |
| 4"          | 3"       | <b>TTF4AL-3EMT</b> | <b>\$82.45</b> |
| 4"          | 4"       | <b>TTF4AL-4EMT</b> | <b>96.25</b>   |



### Female Threaded

#### TTMA flange x female NPT

| TTMA Flange | Female NPT | Aluminum          |                |
|-------------|------------|-------------------|----------------|
|             |            | Part #            | Price/E        |
| 4"          | 3"         | <b>TTF4AL-3FT</b> | <b>\$73.80</b> |
| 4"          | 4"         | <b>TTF4AL-4FT</b> | <b>73.55</b>   |



### Slip-On

#### TTMA flange x slip-on

| TTMA Flange | Slip-on | Aluminum        |                |
|-------------|---------|-----------------|----------------|
|             |         | Part #          | Price/E        |
| 4"          | 4"      | <b>TTF400SP</b> | <b>\$67.00</b> |





## Sight Flow Indicators

### Bronze

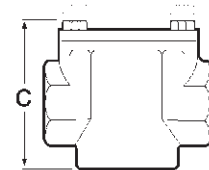
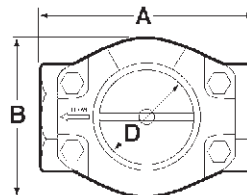
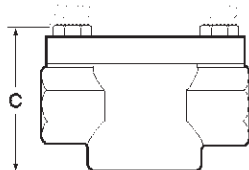
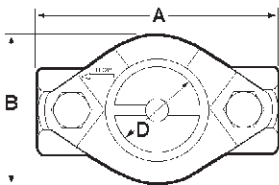
- verifies flow and monitors color and clarity in fluid lines
- double window snap ring design
- bronze body
- ABS indicator
- tempered soda lime sight glass
- Buna-N seals
- maximum pressure **125 PSI**
- maximum temperature **200°F**
- made in the USA



| Size   | Overall Length | Width    | Height  | Bronze            |                 | Opt Qty |
|--------|----------------|----------|---------|-------------------|-----------------|---------|
|        |                |          |         | Part #            | Price/E         |         |
| 1/2"   | 3-13/16"       | 2-7/16"  | 2-7/16" | <b>SF1631-050</b> | <b>\$379.15</b> | 1       |
| 3/4"   | 3-13/16"       | 2-7/16"  | 2-7/16" | <b>SF1631-075</b> | <b>405.10</b>   | 1       |
| 1"     | 4-3/8"         | 3"       | 3-1/8"  | <b>SF1631-100</b> | <b>514.20</b>   | 1       |
| 1 1/2" | 4-5/8"         | 3-13/16" | 4"      | <b>SF1631-150</b> | <b>784.25</b>   | 1       |
| 2"     | 4-5/8"         | 3-13/16" | 4"      | <b>SF1631-200</b> | <b>810.25</b>   | 1       |

### Stainless Steel

- Features a radial sealing method and bolt-on body design that provides years of reliable service with no torquing maintenance required.
- verifies flow and monitor color and clarity in fluid lines
- A white Delrin® propeller style indicator is standard. Best for observations at a distance or with opaque liquids <sup>1</sup>.
- tempered soda lime sight glass <sup>2</sup>
- Viton® seals are standard <sup>3</sup>
- maximum pressure **200 PSI** at **150°F**
- maximum temperature **225°F** at **150 PSI**
- made in the USA



### Female NPT x Female NPT <sup>4</sup>

| Size   | Overall Length A | Width B | Height C | Diameter of Sight Opening D | Weight | Stainless Steel   |                 | Opt Qty |
|--------|------------------|---------|----------|-----------------------------|--------|-------------------|-----------------|---------|
|        |                  |         |          |                             |        | Part #            | Price/E         |         |
| 1/2"   | 3-1/4"           | 2"      | 2-3/8"   | 1-1/8"                      | 1.4    | <b>SF1471-050</b> | <b>\$794.65</b> | 1       |
| 3/4"   | 4-1/4"           | 2-9/16" | 3-1/4"   | 1-1/2"                      | 3.0    | <b>SF1471-075</b> | <b>857.00</b>   | 1       |
| 1"     | 4-1/4"           | 2-9/16" | 3-1/4"   | 1-1/2"                      | 2.7    | <b>SF1471-100</b> | <b>1080.30</b>  | 1       |
| 1 1/2" | 5-5/8"           | 3-5/16" | 4-5/16"  | 2"                          | 7.9    | <b>SF1471-150</b> | <b>1433.50</b>  | 1       |
| 2"     | 5-5/8"           | 3-5/16" | 4-5/16"  | 2"                          | 6.6    | <b>SF1471-200</b> | <b>1687.95</b>  | 1       |

<sup>1</sup> Plain, flapper or drip tube style indicators are available, as are Teflon® indicators. Consult the Factory for price and availability.

<sup>2</sup> Special units with tempered Borosilicate glass are available. Consult the Factory for price and availability.

<sup>3</sup> Teflon®, EPR and Buna-N seals are available. Consult the Factory for price and availability.

<sup>4</sup> 150# flanged units, as well as other metals, are also available. Consult the Factory for price and availability.

## NPT Threaded Reducer Hex Bushings



| Male NPT | Female NPT | 150# Iron |         | 150# Galvanized |         | 150# 316 Stain. Steel |         | 3000# Forged Steel |         | 125# Brass |         |
|----------|------------|-----------|---------|-----------------|---------|-----------------------|---------|--------------------|---------|------------|---------|
|          |            | Part #    | Price/E | Part #          | Price/E | Part #                | Price/E | Part #             | Price/E | Part #     | Price/E |
| 1/4"     | 1/8"       | HB2518    | \$4.35  | HB2518G         | \$6.25  | HB2518SS              | \$3.65  | HB2518FS           | \$4.80  | HB1F2M     | \$1.86  |
| 3/8"     | 1/8"       | HB3818    | 4.35    | ---             | ---     | ---                   | ---     | ---                | ---     | HB1F3M     | 2.25    |
| 3/8"     | 1/4"       | HB3825    | 4.35    | HB3825G         | 6.25    | HB3825SS              | 4.10    | HB3825FS           | 4.80    | HB2F3M     | 2.54    |
| 1/2"     | 1/8"       | HB5018    | 4.35    | ---             | ---     | ---                   | ---     | ---                | ---     | HB1F4M     | 3.89    |
| 1/2"     | 1/4"       | HB5025    | 4.35    | HB5025G         | 6.25    | HB5025SS              | 5.45    | HB5025FS           | 4.90    | HB2F4M     | 4.11    |
| 1/2"     | 3/8"       | HB5038    | 4.35    | HB5038G         | 6.25    | HB5038SS              | 5.45    | HB5038FS           | 4.90    | HB3F4M     | 3.37    |
| 3/4"     | 1/8"       | HB7518    | 4.25    | ---             | ---     | ---                   | ---     | ---                | ---     | HB1F6M     | 6.65    |
| 3/4"     | 1/4"       | HB7525    | 4.25    | HB7525G         | 6.45    | HB7525SS              | 8.10    | HB7525FS           | 5.95    | HB2F6M     | 7.29    |
| 3/4"     | 3/8"       | HB7538    | 4.25    | HB7538G         | 7.15    | HB7538SS              | 8.10    | HB7538FS           | 5.95    | HB3F6M     | 6.45    |
| 3/4"     | 1/2"       | HB7550    | 3.95    | HB7550G         | 5.80    | HB7550SS              | 8.65    | HB7550FS           | 5.95    | HB4F6M     | 7.03    |
| 1"       | 1/8"       | HB1018    | 4.90    | ---             | ---     | ---                   | ---     | ---                | ---     | ---        | ---     |
| 1"       | 1/4"       | HB1025    | 5.25    | HB1025G         | 7.65    | HB1025SS              | 12.20   | HB1025FS           | 9.50    | HB2F8M     | 14.02   |
| 1"       | 3/8"       | HB1038    | 5.40    | HB1038G         | 11.95   | HB1038SS              | 11.85   | HB1038FS           | 9.50    | HB3F8M     | 13.21   |
| 1"       | 1/2"       | HB1050    | 4.05    | HB1050G         | 6.90    | HB1050SS              | 11.45   | HB1050FS           | 9.50    | HB4F8M     | 13.01   |
| 1"       | 3/4"       | HB1075    | 4.05    | HB1075G         | 6.55    | HB1075SS              | 11.45   | HB1075FS           | 9.50    | HB6F8M     | 10.95   |
| 1-1/4"   | 1/2"       | HB1250    | 5.80    | ---             | ---     | ---                   | ---     | ---                | ---     | ---        | ---     |
| 1-1/4"   | 3/4"       | HB1275    | 5.20    | ---             | ---     | HB1275SS              | 18.55   | HB1275FS           | 15.60   | ---        | ---     |
| 1-1/4"   | 1"         | HB1210    | 5.20    | HB1210G         | 8.80    | HB1210SS              | 18.50   | HB1210FS           | 15.60   | HB1210B    | 21.60   |
| 1-1/2"   | 1/2"       | HB1550    | 6.60    | ---             | ---     | ---                   | ---     | ---                | ---     | ---        | ---     |
| 1-1/2"   | 3/4"       | HB1575    | 6.60    | HB1575G         | 12.75   | HB1575SS              | 22.00   | HB1575FS           | 17.70   | HB1575B    | 33.75   |
| 1-1/2"   | 1"         | HB1510    | 5.80    | HB1510G         | 11.50   | HB1510SS              | 22.00   | HB1510FS           | 17.70   | HB1510B    | 27.60   |
| 1-1/2"   | 1-1/4"     | HB1512    | 6.65    | HB1512G         | 10.65   | HB1512SS              | 22.00   | HB1512FS           | 17.70   | HB1512B    | 27.60   |
| 2"       | 1/2"       | HB2050    | 10.00   | HB2050G         | 15.95   | ---                   | ---     | ---                | ---     | HB2050B    | 49.15   |
| 2"       | 3/4"       | HB2075    | 8.45    | HB2075G         | 14.85   | HB2075SS              | 35.90   | HB2075FS           | 26.85   | HB2075B    | 49.15   |
| 2"       | 1"         | HB2010    | 7.90    | HB2010G         | 14.05   | HB2010SS              | 35.90   | HB2010FS           | 26.85   | HB2010B    | 49.15   |
| 2"       | 1-1/4"     | HB2012    | 7.90    | HB2012G         | 14.05   | HB2012SS              | 35.90   | HB2012FS           | 26.85   | HB2012B    | 40.90   |
| 2"       | 1-1/2"     | HB2015    | 8.80    | HB2015G         | 12.30   | HB2015SS              | 38.40   | HB2015FS           | 26.85   | HB2015B    | 40.90   |
| 2-1/2"   | 1-1/2"     | HB2515    | 13.35   | ---             | ---     | ---                   | ---     | ---                | ---     | HB2515B    | 70.95   |
| 2-1/2"   | 2"         | HB2520    | 13.25   | HB2520G         | 20.05   | HB2520SS              | 64.40   | HB2520FS           | 85.00   | HB2520B    | 70.95   |
| 3"       | 1"         | HB3010    | 19.85   | ---             | ---     | ---                   | ---     | ---                | ---     | ---        | ---     |
| 3"       | 1-1/2"     | HB3015    | 19.45   | ---             | ---     | ---                   | ---     | ---                | ---     | ---        | ---     |
| 3"       | 2"         | HB3020    | 18.20   | HB3020G         | 27.10   | HB3020SS              | 94.40   | HB3020FS           | 135.20  | HB3020B    | 123.65  |
| 3"       | 2-1/2"     | HB3025    | 18.45   | ---             | ---     | HB3025SS              | 92.15   | HB3025FS           | 135.20  | HB3025B    | 123.65  |
| 4"       | 1"         | HB4010    | 38.05   | ---             | ---     | ---                   | ---     | ---                | ---     | ---        | ---     |
| 4"       | 1-1/2"     | HB4015    | 38.05   | ---             | ---     | ---                   | ---     | ---                | ---     | ---        | ---     |
| 4"       | 2"         | HB4020    | 36.00   | HB4020G         | 56.30   | HB4020SS              | 146.40  | ---                | ---     | HB4020B    | 371.15  |
| 4"       | 2-1/2"     | HB4025    | 36.00   | ---             | ---     | ---                   | ---     | ---                | ---     | ---        | ---     |
| 4"       | 3"         | HB4030    | 36.00   | HB4030G         | 59.60   | HB4030SS              | 150.90  | HB4030FS           | 291.20  | HB4030B    | 283.45  |
| 5"       | 4"         | HB5040    | 65.75   | ---             | ---     | ---                   | ---     | ---                | ---     | ---        | ---     |
| 6"       | 3"         | HB6030    | 95.10   | ---             | ---     | ---                   | ---     | ---                | ---     | ---        | ---     |
| 6"       | 4"         | HB6040    | 95.10   | ---             | ---     | ---                   | ---     | ---                | ---     | ---        | ---     |

Pipe & Welding

## NPT Threaded Reducing Union

| Female NPT | Female NPT | 150# Iron |         |
|------------|------------|-----------|---------|
|            |            | Part #    | Price/E |
| 3/4"       | 1/2"       | MIRU7550  | \$15.35 |





### NPT Threaded Unions

- other sizes are also available
- 304 stainless steel fittings are also available, *consult the factory for pricing and availability*

| Female NPT | 300# Iron |         | 150# Iron |         | 150# Galvanized |         | 150# 316 Stain. Steel |         | 3000# Forged Steel |         | 125# Brass |         |
|------------|-----------|---------|-----------|---------|-----------------|---------|-----------------------|---------|--------------------|---------|------------|---------|
|            | Part #    | Price/E | Part #    | Price/E | Part #          | Price/E | Part #                | Price/E | Part #             | Price/E | Part #     | Price/E |
| 1/8"       | ---       | ---     | MIU18     | \$17.50 | ---             | ---     | ---                   | ---     | ---                | ---     | ---        | ---     |
| 1/4"       | ---       | ---     | MIU25     | 16.65   | ---             | ---     | TUN025SS              | \$17.40 | ---                | ---     | TUN2F      | \$25.65 |
| 3/8"       | ---       | ---     | MIU38     | 11.25   | TUN038G         | \$13.25 | TUN038SS              | 22.50   | ---                | ---     | TUN3F      | 26.45   |
| 1/2"       | 300MIU50  | \$29.30 | MIU50     | 10.75   | TUN050G         | 13.40   | TUN050SS              | 19.40   | TUN050FS           | \$27.60 | TUN4F      | 29.90   |
| 3/4"       | 300MIU75  | 32.45   | MIU75     | 12.80   | TUN075G         | 15.90   | TUN075SS              | 25.40   | TUN075FS           | 33.05   | TUN5F      | 39.20   |
| 1"         | 300MIU100 | 42.35   | MIU100    | 16.70   | TUN100G         | 19.75   | TUN100SS              | 41.40   | TUN100FS           | 43.20   | TUN6F      | 51.15   |
| 1-1/4"     | ---       | ---     | MIU125    | 22.15   | TUN125G         | 26.85   | TUN125SS              | 64.00   | ---                | ---     | TUN7F      | 74.95   |
| 1-1/2"     | 300MIU150 | 72.25   | MIU150    | 27.05   | TUN150G         | 34.40   | TUN150SS              | 72.00   | TUN150FS           | 83.75   | TUN8F      | 89.60   |
| 2"         | ---       | ---     | MIU200    | 40.80   | TUN200G         | 45.95   | TUN200SS              | 101.90  | TUN200FS           | 108.95  | TUN9F      | 140.00  |
| 2-1/2"     | ---       | ---     | MIU250    | 98.35   | ---             | ---     | ---                   | ---     | ---                | ---     | ---        | ---     |
| 3"         | 300MIU300 | 373.25  | MIU300    | 119.40  | ---             | ---     | ---                   | ---     | ---                | ---     | ---        | ---     |
| 4"         | ---       | ---     | MIU400    | 295.20  | ---             | ---     | ---                   | ---     | ---                | ---     | ---        | ---     |



### NPT Threaded Bell Reducers

- other sizes are also available
- 304 stainless steel fittings are also available, *consult the factory for pricing and availability*
- <sup>1</sup> items will be discontinued as stock is depleted
- <sup>2</sup> sizes are manufactured from bar stock

| Female NPT | Female NPT | 300# Iron |         | 150# Iron |         | 150# Galvanized |         | 150# 316 Stain. Steel |         | 3000# Forged Steel |         | 125# Brass           |         |
|------------|------------|-----------|---------|-----------|---------|-----------------|---------|-----------------------|---------|--------------------|---------|----------------------|---------|
|            |            | Part #    | Price/E | Part #    | Price/E | Part #          | Price/E | Part #                | Price/E | Part #             | Price/E | Part #               | Price/E |
| 1/4"       | 1/8"       | ---       | ---     | BR1418    | \$3.95  | ---             | ---     | ---                   | ---     | ---                | ---     | RC2F1F <sup>2</sup>  | \$4.26  |
| 3/8"       | 1/8"       | ---       | ---     | BR3818    | 3.95    | ---             | ---     | ---                   | ---     | ---                | ---     | RC3F1F               | 4.62    |
| 3/8"       | 1/4"       | ---       | ---     | BR3825    | 3.95    | ---             | ---     | BR3825SS              | \$6.80  | ---                | ---     | RC3F2F <sup>2</sup>  | 4.76    |
| 1/2"       | 1/4"       | 300BR5025 | \$25.15 | BR5025    | 3.60    | BR5025G         | \$4.45  | BR5025SS              | 9.25    | ---                | ---     | RC4F2F <sup>2</sup>  | 6.80    |
| 1/2"       | 3/8"       | ---       | ---     | BR5038    | 3.40    | BR5038G         | 4.15    | BR5038SS              | 8.60    | BR5038FS           | \$14.60 | BR5038B <sup>1</sup> | 10.50   |
| 3/4"       | 1/4"       | ---       | ---     | BR7525    | 4.45    | ---             | ---     | ---                   | ---     | ---                | ---     | ---                  | ---     |
| 3/4"       | 3/8"       | ---       | ---     | BR7538    | 4.45    | ---             | ---     | BR7538SS              | 11.85   | ---                | ---     | RC6F3F               | 10.57   |
| 3/4"       | 1/2"       | 300BR7550 | 25.70   | BR7550    | 3.90    | BR7550G         | 4.85    | BR7550SS              | 11.10   | BR7550FS           | 37.45   | BR7550B <sup>1</sup> | 14.30   |
| 1"         | 1/4"       | ---       | ---     | BR1025    | 6.90    | ---             | ---     | ---                   | ---     | ---                | ---     | ---                  | ---     |
| 1"         | 3/8"       | ---       | ---     | BR1038    | 7.00    | ---             | ---     | ---                   | ---     | ---                | ---     | ---                  | ---     |
| 1"         | 1/2"       | ---       | ---     | BR1050    | 6.05    | BR1050G         | 8.05    | BR1050SS              | 15.20   | ---                | ---     | BR1050B              | 22.00   |
| 1"         | 3/4"       | 300BR1075 | 30.70   | BR1075    | 6.05    | BR1075G         | 7.50    | BR1075SS              | 15.20   | BR1075FS           | 22.65   | BR1075B              | 25.40   |
| 1-1/4"     | 1/2"       | ---       | ---     | BR1250    | 8.65    | ---             | ---     | ---                   | ---     | ---                | ---     | ---                  | ---     |
| 1-1/4"     | 3/4"       | ---       | ---     | BR1275    | 7.50    | ---             | ---     | ---                   | ---     | ---                | ---     | ---                  | ---     |
| 1-1/4"     | 1"         | 300BR1210 | 40.35   | BR1210    | 7.50    | BR1210G         | 10.25   | BR1210SS              | 20.25   | ---                | ---     | BR1210B              | 37.95   |
| 1-1/2"     | 3/4"       | ---       | ---     | BR1575    | 12.40   | ---             | ---     | ---                   | ---     | ---                | ---     | BR1575B              | 64.60   |
| 1-1/2"     | 1"         | 300BR1510 | 55.35   | BR1510    | 11.00   | BR1510G         | 13.20   | BR1510SS              | 26.50   | BR1510FS           | 40.60   | BR1510B              | 51.70   |
| 1-1/2"     | 1-1/4"     | 300BR1512 | 62.95   | BR1512    | 9.50    | BR1512G         | 12.50   | BR1512SS              | 26.50   | BR1512FS           | 40.60   | ---                  | ---     |
| 2"         | 3/4"       | ---       | ---     | BR2075    | 15.75   | ---             | ---     | ---                   | ---     | ---                | ---     | ---                  | ---     |
| 2"         | 1"         | 300BR2010 | 80.20   | BR2010    | 14.90   | BR2010G         | 18.00   | BR2010SS              | 47.60   | BR2010FS           | 58.90   | BR2010B              | 86.50   |
| 2"         | 1-1/4"     | 300BR2012 | 94.50   | BR2012    | 15.75   | ---             | ---     | ---                   | ---     | ---                | ---     | ---                  | ---     |
| 2"         | 1-1/2"     | 300BR2015 | 119.60  | BR2015    | 13.80   | BR2015G         | 18.00   | BR2015SS              | 49.95   | BR2015FS           | 58.90   | BR2015B              | 71.30   |
| 2-1/2"     | 1"         | ---       | ---     | BR2510    | 40.05   | ---             | ---     | ---                   | ---     | ---                | ---     | ---                  | ---     |
| 2-1/2"     | 1-1/2"     | ---       | ---     | BR2515    | 40.95   | ---             | ---     | ---                   | ---     | ---                | ---     | ---                  | ---     |
| 2-1/2"     | 2"         | ---       | ---     | BR2520    | 35.15   | BR2520G         | 55.60   | ---                   | ---     | ---                | ---     | BR2520B              | 118.05  |
| 3"         | 1"         | ---       | ---     | BR3010    | 55.80   | ---             | ---     | ---                   | ---     | ---                | ---     | ---                  | ---     |
| 3"         | 1-1/4"     | ---       | ---     | BR3012    | 61.80   | ---             | ---     | ---                   | ---     | ---                | ---     | ---                  | ---     |
| 3"         | 1-1/2"     | ---       | ---     | BR3015    | 54.75   | ---             | ---     | ---                   | ---     | ---                | ---     | ---                  | ---     |
| 3"         | 2"         | ---       | ---     | BR3020    | 45.40   | BR3020G         | 69.80   | BR3020SS              | 131.40  | ---                | ---     | BR3020B              | 180.20  |
| 3"         | 2-1/2"     | ---       | ---     | BR3025    | 54.75   | BR3025G         | 73.85   | ---                   | ---     | ---                | ---     | ---                  | ---     |
| 4"         | 1"         | ---       | ---     | BR4010    | 109.75  | ---             | ---     | ---                   | ---     | ---                | ---     | ---                  | ---     |
| 4"         | 1-1/2"     | ---       | ---     | BR4015    | 109.75  | ---             | ---     | ---                   | ---     | ---                | ---     | ---                  | ---     |
| 4"         | 2"         | ---       | ---     | BR4020    | 109.75  | ---             | ---     | ---                   | ---     | ---                | ---     | ---                  | ---     |
| 4"         | 2-1/2"     | ---       | ---     | BR4025    | 109.75  | ---             | ---     | ---                   | ---     | ---                | ---     | ---                  | ---     |
| 4"         | 3"         | ---       | ---     | BR4030    | 109.75  | BR4030G         | 159.80  | ---                   | ---     | ---                | ---     | BR4030B              | 428.25  |
| 6"         | 3"         | ---       | ---     | BR6030    | 274.75  | ---             | ---     | ---                   | ---     | ---                | ---     | ---                  | ---     |
| 6"         | 4"         | ---       | ---     | BR6040    | 274.75  | ---             | ---     | ---                   | ---     | ---                | ---     | ---                  | ---     |

Crowder Supply Co., Inc. • 8495 Roslyn St., Commerce City, CO 80022 • Toll Free: 888-883-5144 • www.CrowderSupply.com



## NPT Threaded Couplings - Both Ends



| Female NPT | 300# Iron        |                | 150# Iron     |               | 150# Galvanized |               | 150# 316 Stain. Steel |               | 3000# Forged Steel |               | 125# Brass     |               |
|------------|------------------|----------------|---------------|---------------|-----------------|---------------|-----------------------|---------------|--------------------|---------------|----------------|---------------|
|            | Part #           | Price/E        | Part #        | Price/E       | Part #          | Price/E       | Part #                | Price/E       | Part #             | Price/E       | Part #         | Price/E       |
| 1/8"       | ---              | ---            | <b>RHC18</b>  | <b>\$4.80</b> | <b>RHC18G</b>   | <b>\$5.55</b> | ---                   | ---           | ---                | ---           | ---            | ---           |
| 1/4"       | <b>300RHC25</b>  | <b>\$15.80</b> | <b>RHC25</b>  | 4.05          | <b>RHC25G</b>   | 5.15          | <b>RHC25SS</b>        | <b>\$4.55</b> | <b>RHC25FS</b>     | <b>\$7.55</b> | <b>RHC25B</b>  | <b>\$8.55</b> |
| 3/8"       | <b>300RHC38</b>  | 15.80          | <b>RHC38</b>  | 4.05          | <b>RHC38G</b>   | 5.15          | <b>RHC38SS</b>        | 5.70          | <b>RHC38FS</b>     | 7.55          | <b>RHC38B</b>  | 7.75          |
| 1/2"       | <b>300RHC50</b>  | 17.65          | <b>RHC50</b>  | 3.30          | <b>RHC50G</b>   | 4.15          | <b>RHC50SS</b>        | 7.65          | <b>RHC50FS</b>     | 6.50          | <b>RHC50B</b>  | 9.65          |
| 3/4"       | <b>300RHC75</b>  | 20.25          | <b>RHC75</b>  | 3.90          | <b>RHC75G</b>   | 4.80          | <b>RHC75SS</b>        | 11.35         | <b>RHC75FS</b>     | 8.35          | <b>RHC75B</b>  | 12.70         |
| 1"         | <b>300RHC100</b> | 23.20          | <b>RHC100</b> | 5.85          | <b>RHC100G</b>  | 7.85          | <b>RHC100SS</b>       | 15.85         | <b>RHC100FS</b>    | 14.85         | <b>RHC100B</b> | 19.25         |
| 1-1/4"     | <b>300RHC125</b> | 27.55          | <b>RHC125</b> | 7.50          | <b>RHC125G</b>  | 10.85         | <b>RHC125SS</b>       | 20.70         | <b>RHC125FS</b>    | 24.65         | <b>RHC125B</b> | 30.10         |
| 1-1/2"     | <b>300RHC150</b> | 41.25          | <b>RHC150</b> | 10.05         | <b>RHC150G</b>  | 12.35         | <b>RHC150SS</b>       | 29.65         | <b>RHC150FS</b>    | 31.75         | <b>RHC150B</b> | 40.90         |
| 2"         | <b>300RHC200</b> | 59.40          | <b>RHC200</b> | 14.60         | <b>RHC200G</b>  | 18.00         | <b>RHC200SS</b>       | 43.70         | <b>RHC200FS</b>    | 38.00         | <b>RHC200B</b> | 67.30         |
| 2-1/2"     | ---              | ---            | <b>RHC250</b> | 39.75         | ---             | ---           | ---                   | ---           | ---                | ---           | ---            | ---           |
| 3"         | ---              | ---            | <b>RHC300</b> | 53.70         | <b>RHC300G</b>  | 73.35         | <b>RHC300SS</b>       | 114.40        | ---                | ---           | ---            | ---           |
| 4"         | ---              | ---            | <b>RHC400</b> | 107.10        | <b>RHC400G</b>  | 155.80        | <b>RHC400SS</b>       | 177.75        | ---                | ---           | ---            | ---           |
| 5"         | ---              | ---            | <b>RHC500</b> | 436.90        | ---             | ---           | ---                   | ---           | ---                | ---           | ---            | ---           |
| 6"         | ---              | ---            | <b>RHC600</b> | 287.30        | ---             | ---           | ---                   | ---           | ---                | ---           | ---            | ---           |

## NPT Threaded 90° Threaded Elbows

- other sizes are also available
- 304 stainless steel fittings are also available, consult the factory for pricing and availability



forged steel



brass

| Female NPT | 300# Iron         |                | 150# Iron      |               | 150# Galvanized |               | 150# 316 Stain. Steel |               | 2000# Forged Steel |                | 125# Brass      |               |
|------------|-------------------|----------------|----------------|---------------|-----------------|---------------|-----------------------|---------------|--------------------|----------------|-----------------|---------------|
|            | Part #            | Price/E        | Part #         | Price/E       | Part #          | Price/E       | Part #                | Price/E       | Part #             | Price/E        | Part #          | Price/E       |
| 1/8"       | ---               | ---            | <b>EL9018</b>  | <b>\$3.40</b> | <b>EL9018G</b>  | <b>\$4.65</b> | <b>EL9018SS</b>       | <b>\$5.80</b> | ---                | ---            | <b>EL1F1F</b>   | <b>\$4.38</b> |
| 1/4"       | <b>300EL9025</b>  | <b>\$17.55</b> | <b>EL9025</b>  | 3.25          | <b>EL9025G</b>  | 4.45          | <b>EL90025SS</b>      | 5.60          | <b>EL9025FS</b>    | <b>\$20.80</b> | <b>EL2F2F</b>   | 7.01          |
| 3/8"       | <b>300EL9038</b>  | 15.60          | <b>EL9038</b>  | 3.25          | <b>EL9038G</b>  | 4.45          | <b>EL90038SS</b>      | 7.00          | <b>EL9038FS</b>    | 20.80          | <b>EL3F3F</b>   | 9.13          |
| 1/2"       | <b>300EL9050</b>  | 20.15          | <b>EL9050</b>  | 2.45          | <b>EL9050G</b>  | 2.95          | <b>EL90050SS</b>      | 7.80          | <b>EL9050FS</b>    | 15.90          | <b>EL4F4F</b>   | 17.24         |
| 3/4"       | <b>300EL9075</b>  | 22.80          | <b>EL9075</b>  | 2.95          | <b>EL9075G</b>  | 3.55          | <b>EL90075SS</b>      | 11.30         | <b>EL9075FS</b>    | 19.80          | <b>EL6F6F</b>   | 25.57         |
| 1"         | <b>300EL90100</b> | 30.80          | <b>EL90100</b> | 5.15          | <b>EL90100G</b> | 6.60          | <b>EL90100SS</b>      | 17.60         | <b>EL90100FS</b>   | 28.60          | <b>EL90100B</b> | 22.85         |
| 1-1/4"     | <b>300EL90125</b> | 42.45          | <b>EL90125</b> | 8.35          | <b>EL90125G</b> | 10.20         | <b>EL90125SS</b>      | 26.55         | <b>EL90125FS</b>   | 57.50          | ---             | ---           |
| 1-1/2"     | <b>300EL90150</b> | 50.05          | <b>EL90150</b> | 11.00         | <b>EL90150G</b> | 13.40         | <b>EL90150SS</b>      | 35.90         | <b>EL90150FS</b>   | 73.00          | <b>EL90150B</b> | 45.40         |
| 2"         | <b>300EL90200</b> | 72.00          | <b>EL90200</b> | 18.85         | <b>EL90200G</b> | 22.35         | <b>EL90200SS</b>      | 47.35         | <b>EL90200FS</b>   | 92.05          | <b>EL90200B</b> | 78.00         |
| 2-1/2"     | ---               | ---            | <b>EL90250</b> | 40.85         | ---             | ---           | ---                   | ---           | ---                | ---            | ---             | ---           |
| 3"         | ---               | ---            | <b>EL90300</b> | 60.90         | <b>EL90300G</b> | 93.45         | <b>EL90300SS</b>      | 149.00        | ---                | ---            | ---             | ---           |
| 4"         | ---               | ---            | <b>EL90400</b> | 129.50        | <b>EL90400G</b> | 161.75        | <b>EL90400SS</b>      | 231.75        | ---                | ---            | ---             | ---           |
| 5"         | ---               | ---            | <b>EL90500</b> | 279.00        | ---             | ---           | ---                   | ---           | ---                | ---            | ---             | ---           |
| 6"         | ---               | ---            | <b>EL90600</b> | 484.25        | ---             | ---           | ---                   | ---           | ---                | ---            | ---             | ---           |

**NPT Threaded 45° Threaded Elbows**

| Female<br>NPT | 150# Iron      |               |
|---------------|----------------|---------------|
|               | Part #         | Price/E       |
| 1/8"          | <b>EL4518</b>  | <b>\$4.90</b> |
| 1/4"          | <b>EL4525</b>  | <b>5.05</b>   |
| 3/8"          | <b>EL4538</b>  | <b>4.55</b>   |
| 1/2"          | <b>EL4550</b>  | <b>4.00</b>   |
| 3/4"          | <b>EL4575</b>  | <b>4.85</b>   |
| 1"            | <b>EL45100</b> | <b>6.15</b>   |
| 1-1/4"        | <b>EL45125</b> | <b>10.75</b>  |
| 1-1/2"        | <b>EL45150</b> | <b>13.30</b>  |
| 2"            | <b>EL45200</b> | <b>20.00</b>  |
| 2-1/2"        | <b>EL45250</b> | <b>56.35</b>  |
| 3"            | <b>EL45300</b> | <b>73.15</b>  |
| 4"            | <b>EL45400</b> | <b>142.10</b> |
| 5"            | <b>EL45500</b> | <b>458.15</b> |
| 6"            | <b>EL45600</b> | <b>484.25</b> |

**NPT Threaded Side Outlet Elbows**

| Female<br>NPT | 150# Iron     |                |
|---------------|---------------|----------------|
|               | Part #        | Price/E        |
| 1/8"          | <b>SOE18</b>  | <b>\$10.95</b> |
| 1/4"          | <b>SOE25</b>  | <b>10.95</b>   |
| 3/8"          | <b>SOE38</b>  | <b>10.95</b>   |
| 1/2"          | <b>SOE50</b>  | <b>10.75</b>   |
| 3/4"          | <b>SOE75</b>  | <b>11.55</b>   |
| 1"            | <b>SOE100</b> | <b>30.45</b>   |
| 1-1/4"        | <b>SOE120</b> | <b>26.00</b>   |
| 1-1/2"        | <b>SOE150</b> | <b>35.65</b>   |
| 2"            | <b>SOE200</b> | <b>55.40</b>   |

**NPT Threaded Reducing Elbows**

• other sizes are also available



| Female<br>NPT | Female<br>NPT | 150# Iron      |               |
|---------------|---------------|----------------|---------------|
|               |               | Part #         | Price/E       |
| 1/4"          | 1/8"          | <b>REL2518</b> | <b>\$6.35</b> |
| 1/2"          | 1/4"          | <b>REL5025</b> | <b>4.55</b>   |
| 1/2"          | 3/8"          | <b>REL5038</b> | <b>4.45</b>   |
| 3/4"          | 1/2"          | <b>REL7550</b> | <b>4.60</b>   |
| 1"            | 1/2"          | <b>REL1050</b> | <b>6.25</b>   |
| 1"            | 3/4"          | <b>REL1075</b> | <b>5.90</b>   |
| 1-1/4"        | 1"            | <b>REL1210</b> | <b>9.55</b>   |
| 1-1/2"        | 1"            | <b>REL1510</b> | <b>15.65</b>  |
| 1-1/2"        | 1-1/4"        | <b>REL1525</b> | <b>15.65</b>  |
| 2"            | 1"            | <b>REL2010</b> | <b>22.55</b>  |
| 2"            | 1-1/2"        | <b>REL2015</b> | <b>19.85</b>  |
| 2-1/2"        | 2"            | <b>REL2520</b> | <b>54.35</b>  |
| 3"            | 2"            | <b>REL3020</b> | <b>87.80</b>  |
| 4"            | 2"            | <b>REL4020</b> | <b>150.45</b> |
| 4"            | 3"            | <b>REL4030</b> | <b>150.45</b> |



### NPT Threaded 45° Street Elbows

| Size   | 150# Iron      |               | 150# Galvanized |               |
|--------|----------------|---------------|-----------------|---------------|
|        | Part #         | Price/E       | Part #          | Price/E       |
| 1/8"   | <b>SE4518</b>  | <b>\$7.60</b> | ---             | ---           |
| 1/4"   | <b>SE4525</b>  | <b>5.65</b>   | <b>SE4525G</b>  | <b>\$7.50</b> |
| 3/8"   | <b>SE4538</b>  | <b>6.45</b>   | ---             | ---           |
| 1/2"   | <b>SE4550</b>  | <b>5.20</b>   | <b>SE4550G</b>  | <b>6.60</b>   |
| 3/4"   | <b>SE4575</b>  | <b>7.95</b>   | <b>SE4575G</b>  | <b>10.65</b>  |
| 1"     | <b>SE45100</b> | <b>9.20</b>   | ---             | ---           |
| 1-1/4" | <b>SE45125</b> | <b>15.95</b>  | <b>SE45125G</b> | <b>19.70</b>  |
| 1-1/2" | <b>SE45150</b> | <b>19.80</b>  | <b>SE45150G</b> | <b>23.90</b>  |
| 2"     | <b>SE45200</b> | <b>33.35</b>  | <b>SE45200G</b> | <b>41.00</b>  |
| 2-1/2" | <b>SE45250</b> | <b>70.95</b>  | <b>SE45250G</b> | <b>96.40</b>  |
| 3"     | <b>SE45300</b> | <b>108.65</b> | <b>SE45300G</b> | <b>144.20</b> |
| 4"     | <b>SE45400</b> | <b>203.45</b> | <b>SE45400G</b> | <b>234.45</b> |



### NPT Threaded 90° Street Elbows



150# iron



forged steel



brass

- other sizes are also available
- 304 stainless steel fittings are also available, consult Dixon for pricing and availability

| Size   | 150# Iron      |               | 150# Galvanized |               | 150# 316 Stain. Steel |               | 3000# Forged Steel |                | 125# Brass     |               |
|--------|----------------|---------------|-----------------|---------------|-----------------------|---------------|--------------------|----------------|----------------|---------------|
|        | Part #         | Price/E       | Part #          | Price/E       | Part #                | Price/E       | Part #             | Price/E        | Part #         | Price/E       |
| 1/8"   | <b>SE9018</b>  | <b>\$4.90</b> | <b>SE9018G</b>  | <b>\$6.30</b> | <b>SE9018SS</b>       | <b>\$7.30</b> | ---                | ---            | <b>SE1F1M</b>  | <b>\$4.29</b> |
| 1/4"   | <b>SE9025</b>  | <b>4.90</b>   | <b>SE9025G</b>  | <b>6.10</b>   | <b>SE9025SS</b>       | <b>7.35</b>   | <b>SE9025FS</b>    | <b>\$31.20</b> | <b>SE2F2M</b>  | <b>6.88</b>   |
| 3/8"   | <b>SE9038</b>  | <b>4.90</b>   | <b>SE9038G</b>  | <b>6.10</b>   | <b>SE9038SS</b>       | <b>9.75</b>   | <b>SE9038FS</b>    | <b>30.70</b>   | <b>SE3F3M</b>  | <b>9.48</b>   |
| 1/2"   | <b>SE9050</b>  | <b>5.05</b>   | <b>SE9050G</b>  | <b>6.30</b>   | <b>SE9050SS</b>       | <b>11.50</b>  | <b>SE9050FS</b>    | <b>30.70</b>   | <b>SE4F4M</b>  | <b>16.85</b>  |
| 3/4"   | <b>SE9075</b>  | <b>4.90</b>   | <b>SE9075G</b>  | <b>6.10</b>   | <b>SE9075SS</b>       | <b>15.10</b>  | <b>SE9075FS</b>    | <b>38.00</b>   | <b>SE9075B</b> | <b>19.30</b>  |
| 1"     | <b>SE9010</b>  | <b>7.05</b>   | <b>SE9010G</b>  | <b>8.30</b>   | <b>SE9010SS</b>       | <b>23.50</b>  | <b>SE9010FS</b>    | <b>51.50</b>   | <b>SE9010B</b> | <b>31.95</b>  |
| 1-1/4" | <b>SE9012</b>  | <b>10.75</b>  | <b>SE9012G</b>  | <b>13.95</b>  | <b>SE9012SS</b>       | <b>36.10</b>  | <b>SE9012FS</b>    | <b>91.80</b>   | <b>SE9012B</b> | <b>48.85</b>  |
| 1-1/2" | <b>SE9015</b>  | <b>14.35</b>  | <b>SE9015G</b>  | <b>17.15</b>  | <b>SE9015SS</b>       | <b>52.00</b>  | <b>SE9015FS</b>    | <b>111.05</b>  | <b>SE9015B</b> | <b>63.55</b>  |
| 2"     | <b>SE9020</b>  | <b>23.25</b>  | <b>SE9020G</b>  | <b>29.75</b>  | <b>SE9020SS</b>       | <b>57.50</b>  | <b>SE9020FS</b>    | <b>162.95</b>  | <b>SE9020B</b> | <b>107.80</b> |
| 2-1/2" | <b>SE90250</b> | <b>57.40</b>  | ---             | ---           | ---                   | ---           | ---                | ---            | ---            | ---           |
| 3"     | <b>SE90300</b> | <b>87.55</b>  | <b>SE9030G</b>  | <b>121.60</b> | ---                   | ---           | ---                | ---            | ---            | ---           |
| 4"     | <b>SE90400</b> | <b>142.55</b> | ---             | ---           | ---                   | ---           | ---                | ---            | ---            | ---           |
| 6"     | <b>SE90600</b> | <b>377.55</b> | ---             | ---           | ---                   | ---           | ---                | ---            | ---            | ---           |

### NPT Threaded Female Reducing Tees

| Female NPT | Female NPT | 150# Iron      |               |
|------------|------------|----------------|---------------|
|            |            | Part #         | Price/E       |
| 3/8"       | 1/4"       | <b>FRT3825</b> | <b>\$6.50</b> |
| 1/2"       | 3/8"       | <b>FRT5038</b> | <b>6.75</b>   |
| 3/4"       | 1/2"       | <b>FRT7550</b> | <b>6.90</b>   |
| 1"         | 1/2"       | <b>FRT1050</b> | <b>8.80</b>   |
| 1-1/4"     | 1"         | <b>FRT1210</b> | <b>14.00</b>  |
| 1-1/2"     | 1"         | <b>FRT1510</b> | <b>17.65</b>  |
| 2"         | 1"         | <b>FRT2010</b> | <b>27.65</b>  |
| 2"         | 1-1/2"     | <b>FRT2015</b> | <b>29.20</b>  |
| 3"         | 2"         | <b>FRT3020</b> | <b>96.70</b>  |



### NPT Threaded Side Outlet Tees



| Female NPT | 150# Iron     |         |
|------------|---------------|---------|
|            | Part #        | Price/E |
| 1/2"       | <b>SOT50</b>  | \$13.95 |
| 3/4"       | <b>SOT75</b>  | 26.00   |
| 1"         | <b>SOT100</b> | 33.65   |
| 1-1/4"     | <b>SOT120</b> | 45.55   |
| 1-1/2"     | <b>SOT150</b> | 75.35   |
| 2"         | <b>SOT200</b> | 65.90   |

### NPT Threaded Street Service Tees



| NPT    | 150# Iron     |         |
|--------|---------------|---------|
|        | Part #        | Price/E |
| 1/2"   | <b>SST50</b>  | \$11.35 |
| 3/4"   | <b>SST75</b>  | 15.40   |
| 1"     | <b>SST100</b> | 20.30   |
| 1-1/2" | <b>SST150</b> | 46.40   |

### NPT Threaded Female Tees



150# iron



forged steel

| Female NPT | 300# Iron       |         | 150# Iron    |         | 150# Galvanized |         | 150# 316 Stain. Steel |         | 2000# Forged Steel |         | 125# Brass      |         |
|------------|-----------------|---------|--------------|---------|-----------------|---------|-----------------------|---------|--------------------|---------|-----------------|---------|
|            | Part #          | Price/E | Part #       | Price/E | Part #          | Price/E | Part #                | Price/E | Part #             | Price/E | Part #          | Price/E |
| 1/8"       | ---             | ---     | <b>FT18</b>  | \$5.20  | ---             | ---     | ---                   | ---     | ---                | ---     | <b>322-0202</b> | \$4.81  |
| 1/4"       | <b>300FT25</b>  | \$22.05 | <b>FT25</b>  | 4.90    | <b>FT25G</b>    | \$5.80  | <b>FT25SS</b>         | \$7.20  | <b>FT25FS</b>      | \$25.30 | <b>322-0404</b> | 8.32    |
| 3/8"       | <b>300FT38</b>  | 23.35   | <b>FT38</b>  | 4.90    | <b>FT38G</b>    | 5.80    | <b>FT38SS</b>         | 9.60    | ---                | ---     | <b>322-0606</b> | 11.21   |
| 1/2"       | <b>300FT50</b>  | 29.70   | <b>FT50</b>  | 3.20    | <b>FT50G</b>    | 3.55    | <b>FT50SS</b>         | 10.10   | <b>FT50FS</b>      | 22.80   | <b>322-0808</b> | 21.45   |
| 3/4"       | ---             | ---     | <b>FT75</b>  | 4.50    | <b>FT75G</b>    | 6.00    | <b>FT75SS</b>         | 14.90   | <b>FT75FS</b>      | 30.50   | <b>FT75B</b>    | 19.15   |
| 1"         | <b>300FT10</b>  | 38.60   | <b>FT10</b>  | 7.90    | <b>FT100G</b>   | 9.80    | <b>FT10SS</b>         | 23.40   | <b>FT100FS</b>     | 39.25   | <b>FT10B</b>    | 32.40   |
| 1-1/4"     | <b>300FT120</b> | 55.30   | <b>FT120</b> | 12.80   | <b>FT120G</b>   | 15.45   | <b>FT120SS</b>        | 37.25   | <b>FT120FS</b>     | 78.65   | ---             | ---     |
| 1-1/2"     | ---             | ---     | <b>FT15</b>  | 15.95   | <b>FT150G</b>   | 19.25   | <b>FT150SS</b>        | 45.25   | <b>FT150FS</b>     | 91.80   | <b>FT15B</b>    | 62.40   |
| 2"         | <b>300FT200</b> | 95.15   | <b>FT200</b> | 27.10   | <b>FT200G</b>   | 32.15   | <b>FT200SS</b>        | 58.20   | <b>FT200FS</b>     | 119.60  | <b>FT20B</b>    | 102.30  |
| 2-1/2"     | ---             | ---     | <b>FT250</b> | 55.65   | ---             | ---     | ---                   | ---     | ---                | ---     | ---             | ---     |
| 3"         | ---             | ---     | <b>FT30</b>  | 83.55   | <b>FT300G</b>   | 101.15  | ---                   | ---     | ---                | ---     | ---             | ---     |
| 4"         | ---             | ---     | <b>FT40</b>  | 196.15  | <b>FT400G</b>   | 239.15  | ---                   | ---     | ---                | ---     | ---             | ---     |
| 5"         | ---             | ---     | <b>FT500</b> | 514.80  | ---             | ---     | ---                   | ---     | ---                | ---     | ---             | ---     |
| 6"         | ---             | ---     | <b>FT60</b>  | 560.45  | ---             | ---     | ---                   | ---     | ---                | ---     | ---             | ---     |

### NPT Threaded Bull Head Tees



| Female NPT | Female NPT | 150# Iron      |         |
|------------|------------|----------------|---------|
|            |            | Part #         | Price/E |
| 1/2"       | 3/4"       | <b>BHT1575</b> | \$7.90  |
| 1/2"       | 1"         | <b>BHT1510</b> | 11.45   |
| 3/4"       | 1"         | <b>BHT7510</b> | 10.00   |
| 1"         | 1-1/2"     | <b>BHT1015</b> | 27.75   |
| 1"         | 2"         | <b>BHT1020</b> | 33.95   |
| 1-1/2"     | 2"         | <b>BHT1520</b> | 33.95   |
| 2"         | 2-1/2"     | <b>BHT2025</b> | 72.60   |

## NPT Threaded Square Head Plugs



| Male NPT | 150# Iron     |               | 150# Galvanized |               | 150# 316 Stain. Steel |               | 3000# Forged Steel |               | 125# Brass     |               |
|----------|---------------|---------------|-----------------|---------------|-----------------------|---------------|--------------------|---------------|----------------|---------------|
|          | Part #        | Price/E       | Part #          | Price/E       | Part #                | Price/E       | Part #             | Price/E       | Part #         | Price/E       |
| 1/8"     | <b>SHP18</b>  | <b>\$2.10</b> | <b>SHP18G</b>   | <b>\$3.30</b> | <b>SHP18SS</b>        | <b>\$3.20</b> | ---                | ---           | <b>SHP18B</b>  | <b>\$4.75</b> |
| 1/4"     | <b>SHP14</b>  | <b>2.05</b>   | <b>SHP14G</b>   | <b>3.20</b>   | <b>SHP14SS</b>        | <b>3.40</b>   | <b>SHP14FS</b>     | <b>\$3.55</b> | <b>SHP14B</b>  | <b>4.75</b>   |
| 3/8"     | <b>SHP38</b>  | <b>2.05</b>   | <b>SHP38G</b>   | <b>3.30</b>   | <b>SHP38SS</b>        | <b>3.65</b>   | <b>SHP38FS</b>     | <b>3.65</b>   | <b>SHP38B</b>  | <b>4.75</b>   |
| 1/2"     | <b>SHP50</b>  | <b>2.20</b>   | <b>SHP50G</b>   | <b>4.25</b>   | <b>SHP50SS</b>        | <b>5.05</b>   | <b>SHP50FS</b>     | <b>3.80</b>   | <b>SHP50B</b>  | <b>10.20</b>  |
| 3/4"     | <b>SHP75</b>  | <b>2.20</b>   | <b>SHP75G</b>   | <b>4.25</b>   | <b>SHP75SS</b>        | <b>6.10</b>   | <b>SHP75FS</b>     | <b>4.75</b>   | <b>SHP75B</b>  | <b>13.20</b>  |
| 1"       | <b>SHP100</b> | <b>2.80</b>   | <b>SHP100G</b>  | <b>4.65</b>   | <b>SHP100SS</b>       | <b>8.75</b>   | <b>SHP100FS</b>    | <b>7.30</b>   | <b>SHP100B</b> | <b>16.50</b>  |
| 1-1/4"   | <b>SHP125</b> | <b>3.50</b>   | <b>SHP125G</b>  | <b>7.20</b>   | <b>SHP125SS</b>       | <b>16.20</b>  | ---                | ---           | ---            | ---           |
| 1-1/2"   | <b>SHP150</b> | <b>4.90</b>   | <b>SHP150G</b>  | <b>9.50</b>   | <b>SHP150SS</b>       | <b>18.50</b>  | <b>SHP150FS</b>    | <b>17.20</b>  | <b>SHP150B</b> | <b>21.50</b>  |
| 2"       | <b>SHP200</b> | <b>6.95</b>   | <b>SHP200G</b>  | <b>12.00</b>  | <b>SHP200SS</b>       | <b>27.50</b>  | <b>SHP200FS</b>    | <b>19.35</b>  | ---            | ---           |
| 2-1/2"   | <b>SHP250</b> | <b>12.70</b>  | <b>SHP250G</b>  | <b>23.40</b>  | <b>SHP250SS</b>       | <b>44.30</b>  | ---                | ---           | ---            | ---           |
| 3"       | <b>SHP300</b> | <b>17.40</b>  | <b>SHP300G</b>  | <b>33.10</b>  | <b>SHP300SS</b>       | <b>54.00</b>  | <b>SHP300FS</b>    | <b>118.05</b> | ---            | ---           |
| 4"       | <b>SHP400</b> | <b>36.45</b>  | <b>SHP400G</b>  | <b>68.65</b>  | <b>SHP400SS</b>       | <b>118.20</b> | ---                | ---           | ---            | ---           |
| 5"       | <b>SHP500</b> | <b>76.05</b>  | ---             | ---           | ---                   | ---           | ---                | ---           | ---            | ---           |
| 6"       | <b>SHP600</b> | <b>131.70</b> | <b>SHP600G</b>  | <b>138.85</b> | ---                   | ---           | ---                | ---           | ---            | ---           |

## NPT Threaded Crosses

| Female NPT | 150# Iron     |                |
|------------|---------------|----------------|
|            | Part #        | Price/E        |
| 1/8"       | <b>MIC18</b>  | <b>\$11.70</b> |
| 1/4"       | <b>MIC25</b>  | <b>9.90</b>    |
| 3/8"       | <b>MIC38</b>  | <b>10.10</b>   |
| 1/2"       | <b>MIC50</b>  | <b>11.50</b>   |
| 3/4"       | <b>MIC75</b>  | <b>14.05</b>   |
| 1"         | <b>MIC100</b> | <b>17.25</b>   |
| 1-1/4"     | <b>MIC125</b> | <b>28.00</b>   |
| 1-1/2"     | <b>MIC150</b> | <b>34.70</b>   |
| 2"         | <b>MIC200</b> | <b>57.40</b>   |
| 2-1/2"     | <b>MIC250</b> | <b>101.20</b>  |
| 3"         | <b>MIC300</b> | <b>150.95</b>  |
| 4"         | <b>MIC400</b> | <b>308.10</b>  |

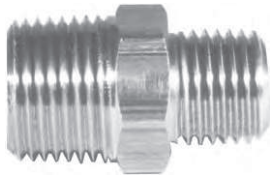


## NPT Threaded Caps

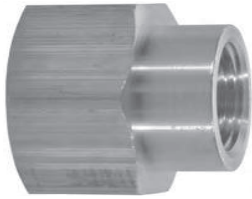
- other sizes are also available
- 304 stainless steel fittings are also available, consult Dixon for pricing and availability



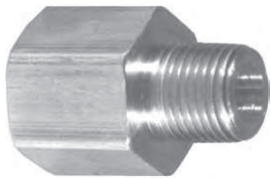
| Female NPT | 300# Iron          |                | 150# Iron       |               | 150# Galvanized  |               | 150# 316 Stain. Steel |               |
|------------|--------------------|----------------|-----------------|---------------|------------------|---------------|-----------------------|---------------|
|            | Part #             | Price/E        | Part #          | Price/E       | Part #           | Price/E       | Part #                | Price/E       |
| 1/8"       | ---                | ---            | <b>MICAP18</b>  | <b>\$3.20</b> | ---              | ---           | <b>SSCAP18</b>        | <b>\$3.35</b> |
| 1/4"       | ---                | ---            | <b>MICAP25</b>  | <b>3.20</b>   | ---              | ---           | <b>SSCAP25</b>        | <b>3.75</b>   |
| 3/8"       | ---                | ---            | <b>MICAP38</b>  | <b>3.20</b>   | ---              | ---           | <b>SSCAP38</b>        | <b>4.40</b>   |
| 1/2"       | <b>300MICAP50</b>  | <b>\$16.10</b> | <b>MICAP50</b>  | <b>2.45</b>   | <b>MICAP50G</b>  | <b>\$3.10</b> | <b>SSCAP50</b>        | <b>5.60</b>   |
| 3/4"       | <b>300MICAP75</b>  | <b>20.25</b>   | <b>MICAP75</b>  | <b>3.30</b>   | <b>MICAP75G</b>  | <b>4.45</b>   | <b>SSCAP75</b>        | <b>7.40</b>   |
| 1"         | <b>300MICAP100</b> | <b>26.60</b>   | <b>MICAP100</b> | <b>4.00</b>   | ---              | ---           | <b>SSCAP10</b>        | <b>8.90</b>   |
| 1-1/4"     | <b>300MICAP125</b> | <b>29.45</b>   | <b>MICAP120</b> | <b>5.20</b>   | ---              | ---           | <b>SSCAP12</b>        | <b>17.60</b>  |
| 1-1/2"     | <b>300MICAP150</b> | <b>43.05</b>   | <b>MICAP150</b> | <b>7.05</b>   | ---              | ---           | <b>SSCAP15</b>        | <b>22.00</b>  |
| 2"         | <b>300MICAP200</b> | <b>59.75</b>   | <b>MICAP200</b> | <b>9.20</b>   | <b>MICAP200G</b> | <b>11.35</b>  | <b>SSCAP20</b>        | <b>28.75</b>  |
| 2-1/2"     | ---                | ---            | <b>MICAP250</b> | <b>22.85</b>  | ---              | ---           | ---                   | ---           |
| 3"         | ---                | ---            | <b>MICAP300</b> | <b>33.95</b>  | ---              | ---           | ---                   | ---           |
| 4"         | ---                | ---            | <b>MICAP400</b> | <b>53.00</b>  | ---              | ---           | ---                   | ---           |
| 5"         | ---                | ---            | <b>MICAP500</b> | <b>108.45</b> | ---              | ---           | ---                   | ---           |
| 6"         | ---                | ---            | <b>MICAP600</b> | <b>211.65</b> | ---              | ---           | ---                   | ---           |

**Extruded NPT Threaded Reducer Hex Nipples**

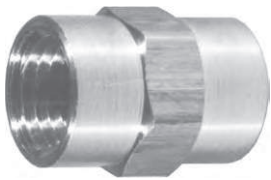
| Male NPT | Male NPT | Brass         |               | Opt Qty |
|----------|----------|---------------|---------------|---------|
|          |          | Part #        | Price/E       |         |
| 1/4"     | 1/8"     | <b>HN2M1M</b> | <b>\$2.58</b> | 100     |
| 3/8"     | 1/8"     | <b>HN3M1M</b> | <b>3.81</b>   | 50      |
| 3/8"     | 1/4"     | <b>HN3M2M</b> | <b>3.56</b>   | 50      |
| 1/2"     | 1/4"     | <b>HN4M2M</b> | <b>5.10</b>   | 50      |
| 1/2"     | 3/8"     | <b>HN4M3M</b> | <b>5.30</b>   | 50      |
| 3/4"     | 1/2"     | <b>HN6M4M</b> | <b>8.28</b>   | 25      |

**Extruded NPT Threaded Reducer Couplings**

| Female NPT | Female NPT | Brass         |               | Opt Qty |
|------------|------------|---------------|---------------|---------|
|            |            | Part #        | Price/E       |         |
| 1/4"       | 1/8"       | <b>RC2F1F</b> | <b>\$4.26</b> | 50      |
| 3/8"       | 1/8"       | <b>RC3F1F</b> | <b>4.62</b>   | 50      |
| 3/8"       | 1/4"       | <b>RC3F2F</b> | <b>4.76</b>   | 50      |
| 1/2"       | 1/4"       | <b>RC4F2F</b> | <b>6.80</b>   | 25      |
| 1/2"       | 3/8"       | <b>RC4F3F</b> | <b>6.64</b>   | 10      |
| 3/4"       | 3/8"       | <b>RC6F3F</b> | <b>10.57</b>  | 10      |
| 3/4"       | 1/2"       | <b>RC6F4F</b> | <b>10.92</b>  | 10      |

**Extruded NPT Threaded Reducer Adapters**

| Female NPTF | Male NPT | Brass         |               | Opt Qty |
|-------------|----------|---------------|---------------|---------|
|             |          | Part #        | Price/E       |         |
| 1/8"        | 1/8"     | <b>RA1F1M</b> | <b>\$2.11</b> | 100     |
| 1/4"        | 1/8"     | <b>RA2F1M</b> | <b>3.71</b>   | 50      |
| 1/4"        | 1/4"     | <b>RA2F2M</b> | <b>3.80</b>   | 50      |
| 3/8"        | 1/8"     | <b>RA3F1M</b> | <b>4.04</b>   | 50      |
| 3/8"        | 1/4"     | <b>RA3F2M</b> | <b>4.33</b>   | 50      |
| 3/8"        | 3/8"     | <b>RA3F3M</b> | <b>4.48</b>   | 50      |
| 1/2"        | 1/4"     | <b>RA4F2M</b> | <b>6.59</b>   | 25      |
| 1/2"        | 3/8"     | <b>RA4F3M</b> | <b>5.78</b>   | 25      |
| 1/2"        | 1/2"     | <b>RA4F4M</b> | <b>7.27</b>   | 25      |
| 3/4"        | 3/8"     | <b>RA6F3M</b> | <b>9.69</b>   | 10      |
| 3/4"        | 1/2"     | <b>RA6F4M</b> | <b>10.20</b>  | 10      |
| 3/4"        | 3/4"     | <b>RA6F6M</b> | <b>12.76</b>  | 10      |

**Extruded NPT Threaded Couplings**

| Female NPTF | Brass         |               | Opt Qty |
|-------------|---------------|---------------|---------|
|             | Part #        | Price/E       |         |
| 1/8"        | <b>BA1F1F</b> | <b>\$2.72</b> | 25      |
| 1/4"        | <b>BA2F2F</b> | <b>4.60</b>   | 25      |
| 3/8"        | <b>BA3F3F</b> | <b>5.34</b>   | 25      |
| 1/2"        | <b>BA4F4F</b> | <b>8.21</b>   | 25      |
| 3/4"        | <b>BA6F6F</b> | <b>14.14</b>  | 10      |

**Extruded NPT Threaded Hex Nipples**

| Male<br>NPT | Brass         |               | Opt<br>Qty |
|-------------|---------------|---------------|------------|
|             | Part #        | Price/E       |            |
| 1/8"        | <b>BCN12</b>  | <b>\$2.16</b> | 100        |
| 1/4"        | <b>BCN25</b>  | <b>2.75</b>   | 100        |
| 3/8"        | <b>BCN37</b>  | <b>3.71</b>   | 50         |
| 1/2"        | <b>BCN50</b>  | <b>5.54</b>   | 25         |
| 3/4"        | <b>BCN75</b>  | <b>7.33</b>   | 25         |
| 1"          | <b>BCN100</b> | <b>17.42</b>  | 10         |

**Extruded NPT Threaded Hex Head Plugs**

| Male<br>NPT | Brass        |               | Opt<br>Qty |
|-------------|--------------|---------------|------------|
|             | Part #       | Price/E       |            |
| 1/8"        | <b>HHP1M</b> | <b>\$1.14</b> | 50         |
| 1/4"        | <b>HHP2M</b> | <b>1.77</b>   | 100        |
| 3/8"        | <b>HHP3M</b> | <b>2.36</b>   | 25         |
| 1/2"        | <b>HHP4M</b> | <b>4.22</b>   | 25         |
| 3/4"        | <b>HHP6M</b> | <b>6.56</b>   | 25         |
| 1"          | <b>HHP8M</b> | <b>12.30</b>  | 10         |

**Hex Socket Plugs**

| Female<br>NPT | Brass           |               | Opt<br>Qty |
|---------------|-----------------|---------------|------------|
|               | Part #          | Price/E       |            |
| 1/8"          | <b>213-0200</b> | <b>\$2.21</b> | 50         |
| 1/4"          | <b>213-0400</b> | <b>3.26</b>   | 100        |
| 3/8"          | <b>213-0600</b> | <b>5.44</b>   | 25         |
| 1/2"          | <b>213-0800</b> | <b>6.61</b>   | 25         |
| 3/4"          | <b>213-1200</b> | <b>10.58</b>  | 25         |



**New  
for 2012**



## Schedule 80 Threaded Polypropylene Fittings Nipples



| NPT Size | Length | Polypropylene |         |
|----------|--------|---------------|---------|
|          |        | Part #        | Price/E |
| 3/4"     | 4"     | 62223         | \$3.50  |
| 3/4"     | 6"     | 62224         | 4.35    |
| 1"       | 4"     | 62225         | 3.75    |
| 1"       | 6"     | 62226         | 4.70    |
| 2"       | 4"     | 62192         | 12.00   |
| 2"       | 6"     | 62193         | 13.80   |

### King Nipples



| NPT Size | Polypropylene |         |
|----------|---------------|---------|
|          | Part #        | Price/E |
| 1 1/2"   | HB150         | \$4.55  |
| 2"       | HB200         | 5.60    |
| 3"       | HB300         | 16.10   |
| 4"       | HB400         | 36.35   |

### Reducer Nipples



| NPT Size | NPT Size | Polypropylene |         |
|----------|----------|---------------|---------|
|          |          | Part #        | Price/E |
| 3/4"     | 1/2"     | 62233         | \$2.85  |
| 1"       | 3/4"     | 62234         | 3.35    |
| 1 1/4"   | 1"       | 62235         | 3.70    |
| 1 1/2"   | 1 1/4"   | 62236         | 4.10    |
| 2"       | 1 1/2"   | 60549         | 4.60    |

### Hex Nipples



| NPT Size | Polypropylene |         |
|----------|---------------|---------|
|          | Part #        | Price/E |
| 1/2"     | 62221         | \$1.90  |
| 3/4"     | 60554         | 2.95    |
| 1"       | 60555         | 3.50    |
| 1 1/4"   | 60556         | 3.65    |
| 1 1/2"   | 60547         | 5.15    |
| 2"       | 60548         | 5.65    |
| 3"       | 61769         | 19.20   |

### Pipe Caps



| NPT Size | Polypropylene |         |
|----------|---------------|---------|
|          | Part #        | Price/E |
| 3/4"     | 62250         | \$6.55  |
| 1"       | 62251         | 6.55    |

### Reducer Bushings



| Male NPT Size | Female NPT Size | Polypropylene |         |
|---------------|-----------------|---------------|---------|
|               |                 | Part #        | Price/E |
| 1/2"          | 1/4"            | 62267         | \$3.35  |
| 3/4"          | 1/2"            | 62272         | 3.35    |
| 1"            | 1/2"            | 62275         | 3.50    |
| 1"            | 3/4"            | 62276         | 3.50    |
| 1 1/4"        | 3/4"            | 62277         | 3.65    |
| 1 1/4"        | 1"              | 62278         | 3.65    |
| 1 1/2"        | 3/4"            | 62279         | 5.10    |
| 1 1/2"        | 1"              | 62280         | 5.10    |
| 1 1/2"        | 1 1/4"          | 62281         | 5.10    |
| 2"            | 3/4"            | 62195         | 5.85    |
| 2"            | 1"              | 62196         | 5.85    |
| 2"            | 1 1/4"          | 62197         | 5.85    |
| 2"            | 1 1/2"          | 62198         | 5.85    |
| 3"            | 2"              | 60330         | 17.70   |

**Schedule 80 Threaded Polypropylene Fittings****Cross**

| NPT<br>Size | Polypropylene |         |
|-------------|---------------|---------|
|             | Part #        | Price/E |
| 1"          | 62263         | \$24.75 |

**90° Street Elbows**

| NPT<br>Size | Polypropylene |         |
|-------------|---------------|---------|
|             | Part #        | Price/E |
| 1/2"        | 62243         | \$5.10  |
| 3/4"        | 62244         | 5.45    |
| 1"          | 62245         | 6.40    |
| 1 1/4"      | 62246         | 8.20    |
| 1 1/2"      | 62247         | 12.50   |
| 2"          | 62199         | 15.20   |
| 3"          | 62248         | 70.50   |

**90° Elbows**

| NPT<br>Size | Polypropylene |         |
|-------------|---------------|---------|
|             | Part #        | Price/E |
| 1/2"        | 62215         | \$4.75  |
| 3/4"        | 62216         | 5.45    |
| 1"          | 62217         | 6.40    |
| 1 1/2"      | 62219         | 12.30   |
| 2"          | 62191         | 14.75   |
| 3"          | 62220         | 70.50   |

**Pipe Couplings**

| NPT<br>Size | Polypropylene |         |
|-------------|---------------|---------|
|             | Part #        | Price/E |
| 3/4"        | 62238         | \$5.35  |
| 1"          | 62239         | 6.40    |
| 1 1/2"      | 62241         | 14.25   |
| 2"          | 62194         | 15.70   |

**Pipe Plugs**

| NPT<br>Size | Polypropylene |         |
|-------------|---------------|---------|
|             | Part #        | Price/E |
| 3/4"        | 62256         | \$3.35  |
| 1"          | 62257         | 3.35    |
| 1 1/4"      | 62258         | 3.65    |
| 1 1/2"      | 62259         | 5.85    |
| 2"          | 62201         | 6.10    |

Pipe &  
Welding**Tees**

| NPT<br>Size | Polypropylene |         |
|-------------|---------------|---------|
|             | Part #        | Price/E |
| 1/2"        | 62209         | \$5.75  |
| 3/4"        | 62210         | 5.95    |
| 1"          | 62211         | 8.30    |
| 1 1/4"      | 62212         | 9.95    |
| 1 1/2"      | 62213         | 14.50   |
| 2"          | 62190         | 18.25   |
| 3"          | 62214         | 80.10   |



## Bulkhead Fittings

### female NPT fittings

- constructed of glass reinforced polypropylene for strength and chemical resistance
- for use on most poly storage tanks and many steel and fiberglass tanks
- EPDM gaskets are standard
- Viton® gaskets are available



| Female NPT | Hole Size | Polypropylene Part #     | Price/E        |
|------------|-----------|--------------------------|----------------|
| 1/2"       | 1-3/8"    | <b>62834</b>             | <b>\$12.05</b> |
| 3/4"       | 1-3/8"    | <b>60401</b>             | <b>9.60</b>    |
| 1"         | 2-1/4"    | <b>60427</b>             | <b>12.05</b>   |
| 1 1/4"     | 2-1/4"    | <b>60403</b>             | <b>12.05</b>   |
| 1 1/2"     | 3"        | <b>60124</b>             | <b>18.05</b>   |
| 2"         | 3"        | <b>60405</b>             | <b>17.25</b>   |
| 3"         | 4-5/8"    | <b>62299<sup>1</sup></b> | <b>75.50</b>   |

<sup>1</sup> 3" does not contain a washer

### gaskets

| Size        | EPDM         |               |
|-------------|--------------|---------------|
|             | Part #       | Price/E       |
| 1/2" - 3/4" | <b>60402</b> | <b>\$2.15</b> |
| 1" - 1 1/4" | <b>60404</b> | <b>3.00</b>   |
| 1 1/2" - 2" | <b>60406</b> | <b>4.15</b>   |
| 3"          | <b>60331</b> | <b>15.05</b>  |

## Bolted Fittings

Bolts are threaded into the back plate of the fitting so there are no welds or bolt holes as potential points of leakage. The fittings come standard without a gasket. However, a gasket (sold separately) is required to be installed on the inside of the tank.

### Stainless Steel

### female NPT fittings

- stainless steel body
- 316 stainless steel bolts
- cross-linked polyethylene gaskets are standard (sold separately)
- Viton® and EPDM gaskets are available



| Size   | Stainless Steel |                 |
|--------|-----------------|-----------------|
|        | Part #          | Price/E         |
| 3/4"   | <b>63035</b>    | <b>\$114.50</b> |
| 1"     | <b>62948</b>    | <b>117.50</b>   |
| 1 1/2" | <b>63037</b>    | <b>168.00</b>   |
| 2"     | <b>63038</b>    | <b>177.00</b>   |

### gaskets

| Size      | Cross-Linked Polyethylene |               |
|-----------|---------------------------|---------------|
|           | Part #                    | Price/E       |
| 3/4" - 1" | <b>62950</b>              | <b>\$3.95</b> |
| 1 1/2"    | <b>63042</b>              | <b>5.40</b>   |
| 2"        | <b>62848</b>              | <b>6.40</b>   |

### Polypropylene

### female NPT fittings

- polypropylene body
- 316 stainless steel bolts
- EPDM gaskets are standard (sold separately)
- Viton® gaskets are available



| Size   | Polypropylene |                |
|--------|---------------|----------------|
|        | Part #        | Price/E        |
| 3/4"   | <b>60502</b>  | <b>\$42.85</b> |
| 1"     | <b>60505</b>  | <b>42.85</b>   |
| 1 1/2" | <b>60513</b>  | <b>70.35</b>   |
| 2"     | <b>60516</b>  | <b>70.35</b>   |

### gaskets

| Size        | EPDM         |               |
|-------------|--------------|---------------|
|             | Part #       | Price/E       |
| 3/4" - 1"   | <b>60498</b> | <b>\$6.00</b> |
| 1 1/2" - 2" | <b>60497</b> | <b>5.90</b>   |

## Brass Double Male Hex Nipples



| NPT Size | NPSH Size | Brass          |                |
|----------|-----------|----------------|----------------|
|          |           | Part #         | Price/E        |
| 1 1/2"   | 1 1/2"    | <b>DMH1515</b> | <b>\$20.10</b> |
| 2"       | 2"        | <b>DMH2020</b> | <b>43.35</b>   |
| 2 1/2"   | 2 1/2"    | <b>DMH2525</b> | <b>52.05</b>   |
| 3"       | 3"        | <b>DMH3030</b> | <b>137.15</b>  |
| 4"       | 4"        | <b>DMH4040</b> | <b>220.35</b>  |

**Pipe Nipples****SAFETY**  
ALERT

Do not use pipe nipples as hose inserts.

**SAFETY**  
ALERT**Straight Hex Nipples**

| Male NPT |  | 316 Stainless Steel |               |
|----------|--|---------------------|---------------|
|          |  | Part #              | Price/E       |
| 3/8"     |  | <b>HN38SS</b>       | <b>\$5.10</b> |
| 1/2"     |  | <b>HN50SS</b>       | <b>8.50</b>   |
| 3/4"     |  | <b>HN75SS</b>       | <b>10.75</b>  |
| 1"       |  | <b>HN100SS</b>      | <b>15.10</b>  |

**Reducing Hex Nipples**

| Male NPT |      | Male NPT         |               | 316 Stainless Steel |  |
|----------|------|------------------|---------------|---------------------|--|
|          |      | Part #           | Price/E       |                     |  |
| 3/8"     | 1/4" | <b>RHN3825SS</b> | <b>\$5.80</b> |                     |  |
| 1/2"     | 3/8" | <b>RHN5038SS</b> | <b>6.90</b>   |                     |  |
| 3/4"     | 1/2" | <b>RHN7550SS</b> | <b>9.50</b>   |                     |  |

**Close Nipples**

- made from schedule 40 welded pipe
- male NPT x male NPT design
- brass nipples are available on page 313

| Male NPT | Overall Length | Carbon Steel |               | Galvanized    |               | 316 Stainless Steel |               | Opt Qty |
|----------|----------------|--------------|---------------|---------------|---------------|---------------------|---------------|---------|
|          |                | Part #       | Price/E       | Part #        | Price/E       | Part #              | Price/E       |         |
| 1/8"     | 3/4"           | ---          | ---           | ---           | ---           | <b>CN012SS</b>      | <b>\$4.25</b> | 1       |
| 1/4"     | 7/8"           | <b>CN025</b> | <b>\$2.40</b> | <b>CN025G</b> | <b>\$2.70</b> | <b>CN025SS</b>      | <b>4.75</b>   | 25      |
| 3/8"     | 1"             | <b>CN037</b> | <b>2.50</b>   | --            | ---           | <b>CN037SS</b>      | <b>5.85</b>   | 25      |
| 1/2"     | 1-1/8"         | <b>CN050</b> | <b>2.10</b>   | <b>CN050G</b> | <b>2.40</b>   | <b>CN050SS</b>      | <b>7.80</b>   | 10      |
| 3/4"     | 1-3/8"         | <b>CN075</b> | <b>2.40</b>   | <b>CN075G</b> | <b>2.95</b>   | <b>CN075SS</b>      | <b>10.10</b>  | 10      |
| 1"       | 1-1/2"         | <b>CN100</b> | <b>3.50</b>   | <b>CN100G</b> | <b>4.00</b>   | <b>CN100SS</b>      | <b>14.00</b>  | 10      |
| 1-1/4"   | 1-5/8"         | <b>CN125</b> | <b>4.40</b>   | ---           | ---           | ---                 | ---           | 10      |
| 1-1/2"   | 1-1/2"         | <b>CN150</b> | <b>5.50</b>   | <b>CN150G</b> | <b>6.30</b>   | <b>CN150SS</b>      | <b>23.70</b>  | 10      |
| 2"       | 2"             | <b>CN200</b> | <b>7.45</b>   | <b>CN200G</b> | <b>9.35</b>   | <b>CN200SS</b>      | <b>36.75</b>  | 10      |
| 2 1/2"   | 2 1/2"         | <b>CN250</b> | <b>23.25</b>  | ---           | ---           | ---                 | ---           | --      |
| 3"       | 2-5/8"         | <b>CN300</b> | <b>27.60</b>  | <b>CN300G</b> | <b>31.45</b>  | <b>CN300SS</b>      | <b>98.80</b>  | 1       |
| 4"       | 2-5/8"         | <b>CN400</b> | <b>41.60</b>  | ---           | ---           | <b>CN400SS</b>      | <b>133.45</b> | 5       |
| 6"       | 3-1/8"         | <b>CN600</b> | <b>126.75</b> | ---           | ---           | ---                 | ---           | --      |



## Pipe Nipples

**SAFETY**  
ALERT

Do not use pipe nipples as hose inserts.

**SAFETY**  
ALERT

### Threaded Both Ends

- made from schedule 40 welded pipe
- male NPT x male NPT design
- brass nipples are available on page 313
- other lengths are also available, consult factory for pricing



| Male NPT | Overall Length | Carbon Steel       |         | 316 Stainless Steel |         |
|----------|----------------|--------------------|---------|---------------------|---------|
|          |                | Part #             | Price/E | Part #              | Price/E |
| 1/4"     | 2"             | <b>New</b> TN025X2 | \$2.45  | ---                 | ---     |
| 3/8"     | 2"             | TN038X2            | 2.70    | ---                 | ---     |
| 1/2"     | 2"             | TN050X2            | 2.10    | ---                 | ---     |
| 3/4"     | 2"             | TN075X2            | 2.60    | ---                 | ---     |
| 1"       | 2"             | TN100X2            | 3.80    | ---                 | ---     |
| 1 1/4"   | 2"             | TN125X2            | 5.00    | ---                 | ---     |
| 1 1/2"   | 2"             | TN150X2            | 5.90    | ---                 | ---     |
| 1/2"     | 3"             | TN050X3            | 2.50    | ---                 | ---     |
| 3/4"     | 3"             | TN075X3            | 2.95    | ---                 | ---     |
| 1"       | 3"             | <b>New</b> TN100X3 | 4.05    | ---                 | ---     |
| 1 1/4"   | 3"             | TN125X3            | 5.05    | ---                 | ---     |
| 1 1/2"   | 3"             | TN150X3            | 6.60    | ---                 | ---     |
| 2"       | 3"             | TN200X3            | 8.55    | ---                 | ---     |
| 3"       | 3"             | <b>New</b> TN300X3 | 30.05   | ---                 | ---     |
| 3/8"     | 4"             | <b>New</b> TN038X4 | 4.05    | ---                 | ---     |
| 1/2"     | 4"             | TN050X4            | 2.95    | ---                 | ---     |
| 3/4"     | 4"             | TN075X4            | 3.60    | ---                 | ---     |
| 1"       | 4"             | TN100X4            | 5.00    | ---                 | ---     |
| 1 1/4"   | 4"             | TN125X4            | 6.25    | ---                 | ---     |
| 1 1/2"   | 4"             | TN150X4            | 7.40    | ---                 | ---     |
| 2"       | 4"             | TN200X4            | 10.35   | ---                 | ---     |
| 3"       | 4"             | TN300X4            | 35.60   | ---                 | ---     |
| 4"       | 4"             | TN400X4            | 48.15   | ---                 | ---     |
| 2"       | 5"             | TN200X5            | 12.00   | ---                 | ---     |
| 1/4"     | 6"             | <b>New</b> ---     | ---     | TN025X6SS           | \$16.80 |
| 3/8"     | 6"             | TN038X6            | 6.45    | ---                 | ---     |
| 1/2"     | 6"             | TN050X6            | 3.90    | TN050X6SS           | 31.20   |
| 3/4"     | 6"             | TN075X6            | 5.15    | TN075X6SS           | 35.15   |
| 1"       | 6"             | TN100X6            | 7.15    | TN100X6SS           | 47.50   |
| 1 1/4"   | 6"             | TN125X6            | 8.90    | TN125X6SS           | 61.20   |
| 1 1/2"   | 6"             | TN150X6            | 10.35   | TN150X6SS           | 71.80   |
| 2"       | 6"             | TN200X6            | 13.95   | TN200X6SS           | 94.15   |
| 3"       | 6"             | TN300X6            | 42.65   | TN300X6SS           | 191.20  |
| 4"       | 6"             | TN400X6            | 58.75   | TN400X6SS           | 255.75  |
| 6"       | 6"             | TN600X6            | 170.00  | ---                 | ---     |
| 2"       | 8"             | TN200X8            | 23.35   | ---                 | ---     |
| 4"       | 8"             | TN400X8            | 81.00   | ---                 | ---     |
| 6"       | 8"             | TN600X8            | 210.00  | ---                 | ---     |

### Merchant Couplings

- other sizes are also available



| Female NPSM | Black Iron           |         |
|-------------|----------------------|---------|
|             | Part #               | Price/E |
| 1/4"        | MRCH25               | \$3.70  |
| 3/8"        | MRCH38               | 4.45    |
| 1/2"        | MRCH50               | 4.75    |
| 3/4"        | MRCH75               | 6.00    |
| 1"          | MRCH100              | 8.40    |
| 1-1/4"      | MRCH125              | 10.75   |
| 1-1/2"      | MRCH150              | 13.60   |
| 2"          | MRCH200              | 19.50   |
| 3"          | MRCH300 <sup>1</sup> | 77.80   |

<sup>1</sup> 3" has female NPT thread

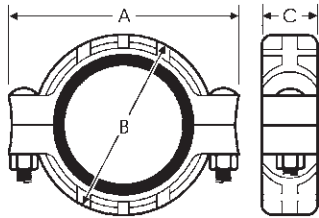


## Standard Couplings - Series S, Style 11



Standard couplings are designed for a wide range of applications: commercial/industrial construction, mining, process piping, and many others. The housing design allows for optimum strength without excessive casting weight.

- ductile iron body with rust inhibiting paint.
- Underwriters Listed and Factory Mutual approved
- see page 597 for replacement gaskets
- Interchangeable with:  
Victaulic's #77  
Grinnell's #7001



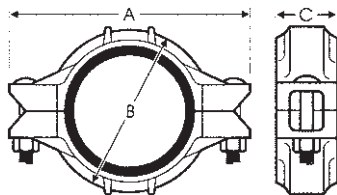
| Nominal Size | Pipe OD | Max Work. Pressure PSI at 70°F | Maximum End Load Lbs. | Coupling Dimensions |          |          | Approx. Weight (lbs.) | Bolts |      |        | Ductile Iron w/ EPDM gasket Part # | Ductile Iron w/ Buna-N gasket Part # | Price/E |
|--------------|---------|--------------------------------|-----------------------|---------------------|----------|----------|-----------------------|-------|------|--------|------------------------------------|--------------------------------------|---------|
|              |         |                                |                       | A                   | B        | C        |                       | qty   | size | length |                                    |                                      |         |
| 1½"          | 1.900   | 1000                           | 2835                  | 4-5/8"              | 3"       | 1-7/8"   | 1.5                   | 2     | 3/8" | 2-1/4" | <b>C115</b>                        | <b>C115BU</b>                        | \$80.85 |
| 2"           | 2.375   | 1000                           | 4430                  | 5-15/64"            | 3-45/64" | 1-27/32" | 2.6                   | 2     | 1/2" | 2-3/4" | <b>C12</b>                         | <b>C12BU</b>                         | 31.25   |
| 2½"          | 2.875   | 1000                           | 6492                  | 5-5/8"              | 4-1/4"   | 1-27/32" | 3.4                   | 2     | 1/2" | 2-3/4" | <b>C125</b>                        | <b>C125BU</b>                        | 33.30   |
| 3"           | 3.500   | 1000                           | 9621                  | 6-21/32"            | 5"       | 1-27/32" | 4.2                   | 2     | 1/2" | 3"     | <b>C13</b>                         | <b>C13BU</b>                         | 40.55   |
| 4"           | 4.500   | 1000                           | 15904                 | 8-17/64"            | 6-3/8"   | 2-3/64"  | 6.0                   | 2     | 5/8" | 3-1/4" | <b>C14</b>                         | <b>C14BU</b>                         | 67.40   |
| 6"           | 6.625   | 1000                           | 34472                 | 11-7/32"            | 8-57/64" | 2-3/64"  | 10.8                  | 2     | 3/4" | 4-1/4" | <b>C16</b>                         | <b>C16BU</b>                         | 97.40   |
| 8"           | 8.625   | 800                            | 46741                 | 14-1/64"            | 11-3/8"  | 2-23/64" | 21.8                  | 2     | 7/8" | 5"     | <b>C18</b>                         | <b>C18BU</b>                         | 232.40  |
| 10"          | 10.750  | 800                            | 72610                 | 16-5/8"             | 13-1/2"  | 2-5/8"   | 24.2                  | 2     | 7/8" | 5-1/2" | <b>C20</b>                         | <b>C20BU</b>                         | 239.90  |
| 12"          | 12.750  | 800                            | 102141                | 18-5/8"             | 15-1/2"  | 2-5/8"   | 27.5                  | 2     | 7/8" | 6"     | <b>C24</b>                         | <b>C24BU</b>                         | 334.00  |

## Lightweight Flexible Couplings - Series L, Style 10



Lightweight flexible couplings are designed for applications requiring moderate internal pressure or where weight is a factor. Applications include: general purpose, mining, irrigation, and compressed air where a deflection of 5% or less is required.

- ductile iron body with rust inhibiting paint
- Underwriters Listed and Factory Mutual approved
- see page 597 for replacement gaskets
- Interchangeable with:  
Victaulic's #75  
Grinnell's #7000

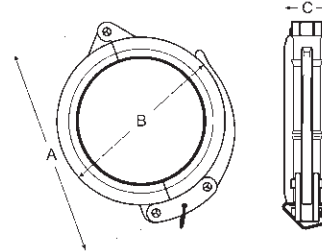


| Nominal Size | Pipe OD | Max Work. Pressure PSI at 70°F | Maximum End Load Lbs. | Coupling Dimensions |           |          | Approx. Weight (lbs.) | Bolts |      |        | Ductile Iron w/ EPDM gasket Part # | Ductile Iron w/ Buna-N gasket Part # | Price/E |
|--------------|---------|--------------------------------|-----------------------|---------------------|-----------|----------|-----------------------|-------|------|--------|------------------------------------|--------------------------------------|---------|
|              |         |                                |                       | A                   | B         | C        |                       | qty   | size | length |                                    |                                      |         |
| 1½"          | 1.900   | 500                            | 1418                  | 4-5/8"              | 3"        | 1-3/4"   | 1.5                   | 2     | 3/8" | 2-1/4" | <b>L215</b>                        | <b>L215BU</b>                        | \$71.60 |
| 2"           | 2.375   | 500                            | 2215                  | 5-7/64"             | 3-1/2"    | 1-27/32" | 1.7                   | 2     | 3/8" | 2"     | <b>L02</b>                         | <b>L02BU</b>                         | 17.65   |
| 2½"          | 2.875   | 300                            | 3246                  | 5-55/64"            | 4-1/64"   | 1-27/32" | 2.2                   | 2     | 3/8" | 2"     | <b>L025</b>                        | <b>L025BU</b>                        | 20.20   |
| 3"           | 3.500   | 300                            | 4811                  | 6-13/32"            | 4-13/16"  | 1-27/32" | 2.8                   | 2     | 1/2" | 2-3/4" | <b>L03</b>                         | <b>L03BU</b>                         | 23.75   |
| 4"           | 4.500   | 300                            | 6362                  | 7-33/64"            | 5-55/64"  | 2"       | 3.7                   | 2     | 1/2" | 2-3/4" | <b>L04</b>                         | <b>L04BU</b>                         | 31.20   |
| 5"           | 5.563   | 300                            | 9722                  | 9-5/8"              | 7"        | 2"       | 5.7                   | 2     | 5/8" | 3-1/4" | <b>L05</b>                         | <b>L05BU</b>                         | 198.50  |
| 6"           | 6.625   | 300                            | 13789                 | 10-25/32"           | 7-7/8"    | 2-3/64"  | 7.4                   | 2     | 5/8" | 3-1/4" | <b>L06</b>                         | <b>L06BU</b>                         | 52.05   |
| 8"           | 8.625   | 300                            | 20449                 | 13-47/64"           | 10-35/64" | 2-13/32" | 12.8                  | 2     | 3/4" | 4-1/4" | <b>L08</b>                         | <b>L08BU</b>                         | 88.50   |

## Quick Release Couplings - Series Q

Quick release couplings are specially designed for applications requiring a quick connection and/or disconnection of a pipe joint. A locking pin through the handle prevents accidental opening of the coupling.

- ductile iron body with zinc plating and steel safety clip
- see page 597 for replacement gaskets
- Interchangeable with:  
Victaulic's #78  
Grinnell's #7003



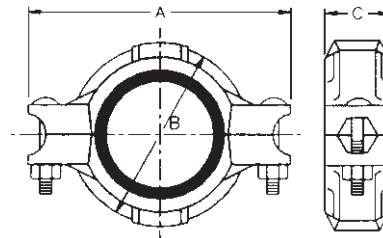
| Nominal Size | Pipe OD | Max Work. Pressure<br>PSI<br>at 70°F | Maximum End Load<br>Lbs. | Coupling Dimensions |        |        | Approx. Weight (lbs.) | Ductile Iron w/ EPDM gasket | Ductile Iron w/ Buna-N gasket | Price/E         |
|--------------|---------|--------------------------------------|--------------------------|---------------------|--------|--------|-----------------------|-----------------------------|-------------------------------|-----------------|
|              |         |                                      |                          | A                   | B      | C      |                       | Part #                      | Part #                        |                 |
| 1½"          | 1.900   | <b>300</b>                           | 850                      | 4-3/4"              | 3-1/2" | 1"     | 1.5                   | <b>H315</b>                 | <b>H315BU</b>                 | <b>\$150.00</b> |
| 2"           | 2.375   | <b>300</b>                           | 1329                     | 5-1/2"              | 3-3/4" | 1-7/8" | 2.5                   | <b>H32</b>                  | <b>H32BU</b>                  | <b>143.85</b>   |
| 2½"          | 2.875   | <b>300</b>                           | 2120                     | 5-7/8"              | 4-3/4" | 1-7/8" | 3.1                   | <b>H325</b>                 | <b>H325BU</b>                 | <b>164.50</b>   |
| 3"           | 3.500   | <b>300</b>                           | 2886                     | 7-1/4"              | 5-1/4" | 1-7/8" | 5.3                   | <b>H33</b>                  | <b>H33BU</b>                  | <b>184.75</b>   |
| 4"           | 4.500   | <b>300</b>                           | 4771                     | 8-1/2"              | 6-1/2" | 2"     | 6.0                   | <b>H34</b>                  | <b>H34BU</b>                  | <b>237.90</b>   |
| 6"           | 6.625   | <b>300</b>                           | 10341                    | 10-5/8"             | 8-1/2" | 2"     | 8.6                   | <b>H36</b>                  | <b>H36BU</b>                  | <b>511.25</b>   |



## Rigid Couplings - Series R, Style 5

This lightweight, low pressure, rigid style coupling is ideal for fire protection, plumbing, low pressure air and drainage. Small gripping teeth hold the housing into the groove allowing a straight run of pipe and preventing any flex at the joint.

- ductile iron body with rust inhibiting paint
- Underwriters Listed and Factory Mutual approved
- see page 597 for replacement gaskets



| Nominal Size | Pipe OD | Max Work. Pressure<br>PSI<br>at 70°F | Maximum End Load<br>Lbs. | Coupling Dimensions |          |          | Approx. Weight (lbs.) | Bolts |      |        | Ductile Iron w/ EPDM gasket | Ductile Iron w/ Buna-N gasket | Price/E        |
|--------------|---------|--------------------------------------|--------------------------|---------------------|----------|----------|-----------------------|-------|------|--------|-----------------------------|-------------------------------|----------------|
|              |         |                                      |                          | A                   | B        | C        |                       | qty   | size | length | Part #                      | Part #                        |                |
| 2"           | 2.375   | <b>175</b>                           | 4425                     | 4-7/8"              | 3-17/32" | 1-27/32" | 1.5                   | 2     | 3/8" | 2"     | <b>R72</b>                  | <b>R72BU</b>                  | <b>\$21.25</b> |
| 2½"          | 2.875   | <b>175</b>                           | 6490                     | 5-5/8"              | 3-45/64" | 1-3/4"   | 1.7                   | 2     | 3/8" | 2"     | <b>R725</b>                 | <b>R725BU</b>                 | <b>18.30</b>   |
| 3"           | 3.500   | <b>175</b>                           | 9620                     | 6-3/8"              | 4-41/64" | 1-27/32" | 2.5                   | 2     | 1/2" | 2-3/4" | <b>R73</b>                  | <b>R73BU</b>                  | <b>25.75</b>   |
| 4"           | 4.500   | <b>175</b>                           | 12720                    | 7-45/64"            | 5-15/16" | 2"       | 3.6                   | 2     | 1/2" | 2-3/4" | <b>R74</b>                  | <b>R74BU</b>                  | <b>32.45</b>   |
| 6"           | 6.625   | <b>175</b>                           | 27570                    | 10-25/32"           | 8-7/64"  | 2-3/64"  | 5.8                   | 2     | 5/8" | 3-1/4" | <b>R76</b>                  | <b>R76BU</b>                  | <b>54.95</b>   |
| 8"           | 8.625   | <b>175</b>                           | 35050                    | 13-25/32"           | 10"      | 2-21/64" | 15.9                  | 2     | 5/8" | 3-1/4" | <b>R78</b>                  | <b>R78BU</b>                  | <b>88.50</b>   |

## Aluminum Victaulic Clamps

Lightweight, quality aluminum clamps ensure a leak-tight connection. Unlike steel groove clamps that secure pipe ends with high clamp force against the tubing walls, the Dixon bolted clamp takes the full bolt force and locks in the groove of the tube preventing distortion of the tube diameter.

- 3" pressure rating: **170 PSI**  
4" pressure rating: **120 PSI**
- bolt torque: 50 ft. lbs.
- precision casting and machined dimensions provide an exact fit and great appearance
- use of lock nuts prevents clamps from loosening in high vibration applications
- Viton® B rated for 100% biodiesel and Ethanol
- Buna-N rated for petroleum service, Ethanol to E100, and biodiesel to B20
- white buna-N for use in dry bulk food applications

| Description                                | Part #           | Price/E        |
|--|------------------|----------------|
| 3" aluminum bolted clamp with Viton® B     | <b>DBV-VB300</b> | <b>\$85.00</b> |
| 4" aluminum bolted clamp with Viton® B     | <b>DBV-VB400</b> | <b>140.00</b>  |
| 3" aluminum bolted clamp with buna-N       | <b>DBV-BN300</b> | <b>35.00</b>   |
| 4" aluminum bolted clamp with buna-N       | <b>DBV-BN400</b> | <b>45.00</b>   |
| 4" aluminum bolted clamp with white buna-N | <b>DBV-WB400</b> | <b>55.00</b>   |
| 3" Viton® B grooved coupling gasket        | <b>G300VB</b>    | <b>55.00</b>   |
| 4" Viton® B grooved coupling gasket        | <b>G400VB</b>    | <b>110.00</b>  |
| 3" buna-N grooved coupling gasket          | <b>G300T</b>     | <b>12.30</b>   |
| 4" buna-N grooved coupling gasket          | <b>G400T</b>     | <b>17.90</b>   |
| 4" white buna-N grooved coupling gasket    | <b>G400N</b>     | <b>29.35</b>   |



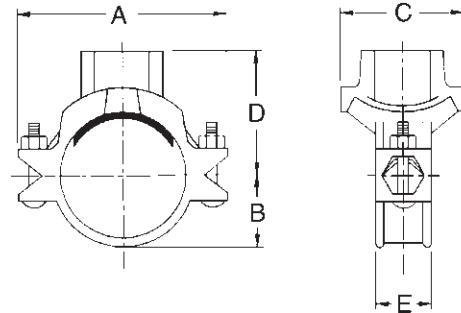
clamp with black buna gasket

## Mechanical Tees - Series T



Mechanical tees provide a fast easy way to install a threaded connection along a length of pipe. After drilling or cutting a hole in the pipe at the location of the branch connection, simply attach the clamps around the pipe for a leak-free threaded outlet connection. See chart below for drilling hole specifications

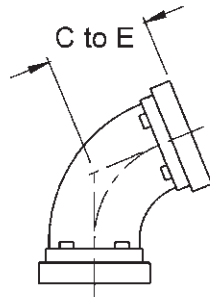
- ductile iron body with rust inhibiting paint
- Underwriters Listed and Factory Mutual approved
- maximum working pressure: **300 PSI** at ambient temperature (70°F)
- Interchangeable with:  
Victaulic's #920  
Grinnell's #7045



| Nominal Size | Branch Size | Hole Saw DIA | Maximum Hole DIA | Coupling Dimensions |          |          |          |        | Approx. Weight (lbs.) | Bolts |      |        | Ductile Iron    |                |
|--------------|-------------|--------------|------------------|---------------------|----------|----------|----------|--------|-----------------------|-------|------|--------|-----------------|----------------|
|              |             |              |                  | A                   | B        | C        | D        | E      |                       | qty   | size | length | Part #          | Price/E        |
| 2"           | 1"          | 1-1/2"       | 1-5/8"           | 5-1/16"             | 1-1/2"   | 2-3/4"   | 2-5/8"   | 1-7/8" | 2.4                   | 2     | 3/8" | 2"     | <b>MT2010</b>   | <b>\$37.45</b> |
| 2"           | 1-1/4"      | 1-3/4"       | 1-7/8"           | 5-1/16"             | 1-1/2"   | 2-15/16" | 2-3/4"   | 1-7/8" | 2.9                   | 2     | 3/8" | 2"     | <b>MT20125</b>  | <b>41.20</b>   |
| 2"           | 1-1/2"      | 1-3/4"       | 1-7/8"           | 5-1/16"             | 1-1/2"   | 2-15/16" | 2-3/4"   | 1-7/8" | 2.8                   | 2     | 3/8" | 2"     | <b>MT20150</b>  | <b>41.20</b>   |
| 2-1/2"       | 1"          | 1-1/2"       | 1-5/8"           | 5-5/32"             | 1-11/16" | 3"       | 2-31/32" | 2"     | 3.1                   | 2     | 1/2" | 2-5/8" | <b>MT25010</b>  | <b>47.45</b>   |
| 2-1/2"       | 1-1/4"      | 2"           | 2-1/8"           | 5-13/16"            | 1-11/16" | 3-11/32" | 3"       | 2"     | 3.3                   | 2     | 1/2" | 2-5/8" | <b>MT250125</b> | <b>51.20</b>   |
| 3"           | 1"          | 1-1/2"       | 1-5/8"           | 6-11/32"            | 2-1/8"   | 3-3/32"  | 3-1/16"  | 2"     | 3.3                   | 2     | 1/2" | 2-3/4" | <b>MT3010</b>   | <b>56.20</b>   |
| 3"           | 1-1/2"      | 2"           | 2-1/8"           | 6-11/32"            | 2-1/8"   | 3-3/4"   | 3-3/8"   | 2"     | 3.4                   | 2     | 1/2" | 2-3/4" | <b>MT30150</b>  | <b>51.20</b>   |
| 4"           | 1"          | 1-1/2"       | 1-5/8"           | 7-5/16"             | 2-9/16"  | 3-3/32"  | 3-1/2"   | 2"     | 4.4                   | 2     | 1/2" | 2-3/4" | <b>MT4010</b>   | <b>71.45</b>   |
| 4"           | 1-1/4"      | 2"           | 2-1/8"           | 7-5/16"             | 2-9/16"  | 3-3/4"   | 3-7/8"   | 2"     | 5.1                   | 2     | 1/2" | 2-3/4" | <b>MT40125</b>  | <b>58.65</b>   |
| 4"           | 1-1/2"      | 2"           | 2-1/8"           | 7-5/16"             | 2-9/16"  | 3-3/4"   | 3-7/8"   | 2"     | 4.9                   | 2     | 1/2" | 2-3/4" | <b>MT40150</b>  | <b>61.15</b>   |
| 4"           | 2"          | 2-1/2"       | 2-5/8"           | 7-5/16"             | 2-9/16"  | 4-1/8"   | 4"       | 2"     | 5.3                   | 2     | 1/2" | 2-3/4" | <b>MT4020</b>   | <b>61.15</b>   |
| 4"           | 2-1/2"      | 2-3/4"       | 2-7/8"           | 7-5/16"             | 2-9/16"  | 4-3/8"   | 4"       | 2"     | 5.4                   | 2     | 1/2" | 2-3/4" | <b>MT40250</b>  | <b>63.65</b>   |
| 4"           | 3"          | 3-1/2"       | 3-5/8"           | 7-5/16"             | 2-9/16"  | 5-1/4"   | 4-1/4"   | 2"     | 6.4                   | 2     | 1/2" | 2-3/4" | <b>MT4030</b>   | <b>68.05</b>   |
| 6"           | 1-1/4"      | 2-1/2"       | 2-5/8"           | 10-5/32"            | 3-11/16" | 4-1/8"   | 4-7/8"   | 2-1/4" | 8.6                   | 2     | 5/8" | 3-1/4" | <b>MT60125</b>  | <b>76.75</b>   |
| 6"           | 1-1/2"      | 2-1/2"       | 2-5/8"           | 10-5/32"            | 3-11/16" | 4-1/8"   | 4-7/8"   | 2-1/4" | 8.4                   | 2     | 5/8" | 3-1/4" | <b>MT60150</b>  | <b>76.75</b>   |
| 6"           | 2"          | 2-1/2"       | 2-5/8"           | 10-5/32"            | 3-11/16" | 4-1/8"   | 5"       | 2-1/4" | 7.6                   | 2     | 5/8" | 3-1/4" | <b>MT6020</b>   | <b>76.75</b>   |
| 6"           | 3"          | 3-1/2"       | 3-5/8"           | 10-5/32"            | 3-11/16" | 5-1/4"   | 5-3/8"   | 2-1/4" | 9.2                   | 2     | 5/8" | 3-1/4" | <b>MT6030</b>   | <b>88.65</b>   |



### Grooved End Fittings - Series 45

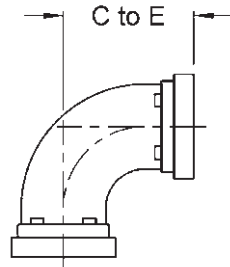


- designed to provide minimum pressure drop and uniform strength
- maximum working pressure is **1000 PSI** at ambient temperature (70°F)
- ductile iron body with rust inhibiting paint
- Underwriters Listed and Factory Mutual approved
- Interchangeable with:  
Victaulic's #110  
Grinnell's #7051

| Nominal Size | C to E | Approx. Weight (Lbs.) | Ductile Iron |                |
|--------------|--------|-----------------------|--------------|----------------|
|              |        |                       | Part #       | Price/E        |
| 2"           | 2"     | 1.4                   | <b>L2045</b> | <b>\$22.15</b> |
| 2½"          | 2¼"    | 2.3                   | <b>L2545</b> | <b>23.05</b>   |
| 3"           | 2½"    | 3.2                   | <b>L3045</b> | <b>34.95</b>   |
| 4"           | 3"     | 5.3                   | <b>L4045</b> | <b>51.15</b>   |
| 5"           | 3¼"    | 7.9                   | <b>L5145</b> | <b>126.05</b>  |
| 6"           | 3½"    | 11.0                  | <b>L6045</b> | <b>129.50</b>  |
| 8"           | 4¼"    | 20.0                  | <b>L8045</b> | <b>258.90</b>  |



### Grooved End Fittings - Series 90

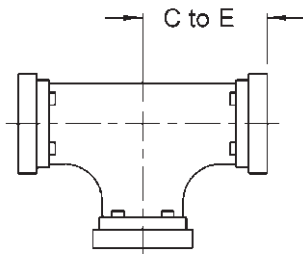


- designed to provide minimum pressure drop and uniform strength
- maximum working pressure is **1000 PSI** at ambient temperature (70°F)
- ductile iron body with rust inhibiting paint
- Underwriters Listed and Factory Mutual approved
- Interchangeable with:  
Victaulic's #10  
Grinnell's #7050

| Nominal Size | C to E | Approx. Weight (Lbs.) | Ductile Iron |                |
|--------------|--------|-----------------------|--------------|----------------|
|              |        |                       | Part #       | Price/E        |
| 2"           | 3¼"    | 2.1                   | <b>L502</b>  | <b>\$22.50</b> |
| 2½"          | 3¾"    | 3.0                   | <b>L5025</b> | <b>25.85</b>   |
| 3"           | 4¼"    | 4.7                   | <b>L503</b>  | <b>41.20</b>   |
| 4"           | 5"     | 7.3                   | <b>L504</b>  | <b>54.15</b>   |
| 6"           | 6½"    | 17.6                  | <b>L506</b>  | <b>129.50</b>  |
| 8"           | 7¾"    | 31.9                  | <b>L508</b>  | <b>287.05</b>  |



### Grooved End Fittings - Series T

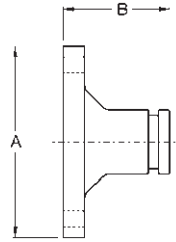


- designed to provide minimum pressure drop and uniform strength
- maximum working pressure is **1000 PSI** at ambient temperature (70°F)
- ductile iron body with rust inhibiting paint
- Underwriters Listed and Factory Mutual approved
- Interchangeable with:  
Victaulic's #20  
Grinnell's #7060

| Nominal Size | C to E | Approx. Weight (Lbs.) | Ductile Iron |                |
|--------------|--------|-----------------------|--------------|----------------|
|              |        |                       | Part #       | Price/E        |
| 2"           | 3¼"    | 3.2                   | <b>T602</b>  | <b>\$32.45</b> |
| 2½"          | 3¾"    | 4.5                   | <b>T6025</b> | <b>39.95</b>   |
| 3"           | 4¼"    | 5.9                   | <b>T603</b>  | <b>54.95</b>   |
| 4"           | 5"     | 11.0                  | <b>T604</b>  | <b>81.30</b>   |
| 6"           | 6½"    | 24.6                  | <b>T606</b>  | <b>218.40</b>  |
| 8"           | 7¾"    | 40.0                  | <b>T608</b>  | <b>425.25</b>  |

### Flange Adapters - Series FA

Flange adapters are used to connect an ANSI Class 125 and 150 flange to a grooved pipe using a grooved clamp. These adapters provide a rigid one piece connection that can be disconnected by removing the clamp assembly. To assemble to another flange, position bolt heads on the adapter (grooved) side. Painted ductile iron.



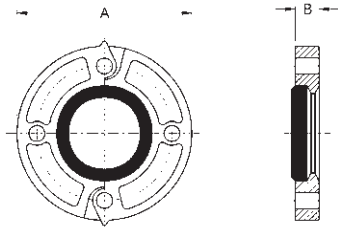
| Nominal Size | Pipe OD | Max PSI at 70°F | Flange Dimensions |         | Approx. Weight (lbs.) | Bolts |      | Ductile Iron |         |
|--------------|---------|-----------------|-------------------|---------|-----------------------|-------|------|--------------|---------|
|              |         |                 | A                 | B       |                       | qty   | size | Part #       | Price/E |
| 2"           | 2.375   | 300             | 6"                | 2-3/8"  | 2.8                   | 4     | 5/8" | FA20         | \$37.40 |
| 3"           | 3.500   | 300             | 7 1/4"            | 2-3/8"  | 5.3                   | 4     | 5/8" | FA30         | 61.15   |
| 4"           | 4.500   | 300             | 8 1/2"            | 2-3/8"  | 6.4                   | 8     | 5/8" | FA40         | 77.40   |
| 6"           | 6.625   | 300             | 11"               | 2-9/16" | 11.5                  | 8     | 3/4" | FA60         | 142.30  |
| 8"           | 8.625   | 300             | 13 1/4"           | 3"      | 23.0                  | 8     | 3/4" | FA80         | 208.50  |

### ANSI Split Flanges - Series SF



The split flange coupling is designed to provide a direct connection between a grooved adapter and an ANSI Class 125 and 150 raised face flanged component. It can be used with flat face flanges by removing the raised projections on the outside face of the flange.

- ductile iron body with rust inhibiting paint
- Underwriters Listed and Factory Mutual approved
- Buna gaskets are available upon request
- Interchangeable with: Victaulic's #741 Grinnell's #7012



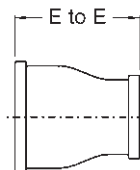
| Nominal Size | Pipe OD | Max PSI at 70°F | Flange Dimensions |        | Approx. Weight (lbs.) | Bolts |      | Ductile Iron w/ gasket |         | Replacement Gaskets EPDM |         |
|--------------|---------|-----------------|-------------------|--------|-----------------------|-------|------|------------------------|---------|--------------------------|---------|
|              |         |                 | A                 | B      |                       | qty   | size | Part #                 | Price/E | Part #                   | Price/E |
| 2"           | 2.375"  | 300             | 6"                | 13/16" | 3.5                   | 4     | 5/8" | ANSI20                 | \$75.85 | FLG200E                  | \$8.15  |
| 2 1/2"       | 2.875"  | 300             | 7"                | 13/16" | 4.6                   | 4     | 5/8" | ANSI25                 | 82.05   | FLG250E                  | 9.40    |
| 3"           | 3.500"  | 300             | 7 1/2"            | 13/16" | 5.1                   | 4     | 5/8" | ANSI30                 | 98.60   | FLG300E                  | 10.95   |
| 4"           | 4.500"  | 300             | 9"                | 15/16" | 8.8                   | 8     | 5/8" | ANSI40                 | 131.05  | FLG400E                  | 12.50   |
| 6"           | 6.625"  | 300             | 11"               | 1"     | 10.6                  | 8     | 3/4" | ANSI60                 | 156.00  | FLG600E                  | 19.35   |
| 8"           | 8.625"  | 300             | 13 1/2"           | 1-1/8" | 17.0                  | 8     | 3/4" | ANSI80                 | 199.70  | FLG800E                  | 34.00   |

### Reducing Adapters - Series RA



| Nominal Size | Nominal Size | E to E | Approx. Weight (lbs.) | Ductile Iron |         |
|--------------|--------------|--------|-----------------------|--------------|---------|
|              |              |        |                       | Part #       | Price/E |
| 2"           | 1 1/2"       | 2.5    | 0.9                   | RAGG20150    | \$26.25 |
| 2 1/2"       | 2"           | 2.5    | 1.1                   | RAGG25020    | 27.45   |
| 3"           | 2"           | 2.5    | 1.2                   | RAGG3020     | 26.25   |
| 3"           | 2 1/2"       | 2.5    | 1.5                   | RAGG30250    | 32.45   |
| 4"           | 2"           | 3.0    | 2.2                   | RAGG4020     | 38.60   |
| 4"           | 2 1/2"       | 3.0    | 2.4                   | RAGG40250    | 40.55   |
| 4"           | 3"           | 3.0    | 2.4                   | RAGG4030     | 43.25   |
| 5"           | 4"           | 3.5    | 4.4                   | RAGG5040     | 69.90   |
| 6"           | 2"           | 4.0    | 4.0                   | RAGG6020     | 78.65   |
| 6"           | 2 1/2"       | 4.0    | 4.4                   | RAGG60250    | 90.30   |
| 6"           | 3"           | 4.0    | 4.6                   | RAGG6030     | 82.40   |
| 6"           | 4"           | 4.0    | 7.0                   | RAGG6040     | 82.40   |

- ductile iron body with rust inhibiting paint
- Underwriters Listed and Factory Mutual approved
- Interchangeable with: Victaulic's #50 Grinnell's #7072





## End Caps

### ANSI Cap with Tapped Outlet - Series EC

- ductile iron construction with rust inhibiting galvanized finish



| Nominal Size | Outlet | E to E  | Approx. Weight (Lbs.) | Ductile Iron |         |
|--------------|--------|---------|-----------------------|--------------|---------|
|              |        |         |                       | Part #       | Price/E |
| 2"           | 1"     | 7/8"    | .50                   | <b>EC201</b> | \$31.30 |
| 2½"          | 1"     | 7/8"    | .70                   | <b>EC251</b> | 40.30   |
| 3"           | 1"     | 7/8"    | 1.05                  | <b>EC301</b> | 40.30   |
| 4"           | 1"     | 1"      | 2.30                  | <b>EC401</b> | 43.85   |
| 4"           | 2"     | 1"      | 2.10                  | <b>EC402</b> | 39.85   |
| 6"           | 1"     | 1"      | 5.10                  | <b>EC601</b> | 99.05   |
| 6"           | 2"     | 1"      | 5.35                  | <b>EC602</b> | 105.20  |
| 8"           | 2"     | 1-3/16" | 10.10                 | <b>EC802</b> | 202.15  |



### Blank Caps - Series BE

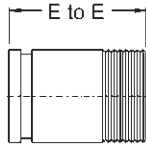
- Interchangeable with: Victaulic's #60 Grinnell's #7074
- ductile iron body with rust inhibiting paint
- Underwriters Listed and Factory Mutual approved



| Nominal Size | E to E  | Approx. Weight (Lbs.) | Ductile Iron |         |
|--------------|---------|-----------------------|--------------|---------|
|              |         |                       | Part #       | Price/E |
| 2"           | 7/8"    | .6                    | <b>BEC20</b> | \$27.45 |
| 2½"          | 7/8"    | .7                    | <b>BEC25</b> | 36.20   |
| 3"           | 7/8"    | 1.1                   | <b>BEC30</b> | 37.45   |
| 4"           | 1"      | 2.6                   | <b>BEC40</b> | 38.70   |
| 6"           | 1"      | 5.0                   | <b>BEC60</b> | 96.75   |
| 8"           | 1-3/16" | 11.0                  | <b>BEC80</b> | 178.50  |

## Adapter Nipples

### Long Pipe Style Nipples - Series AN



| Nominal Size | E to E | Carbon Steel |         |
|--------------|--------|--------------|---------|
|              |        | Part #       | Price/E |
| 2"           | 4"     | <b>A712</b>  | \$48.65 |
| 2½"          | 4"     | <b>A7125</b> | 57.05   |
| 3"           | 4"     | <b>A713</b>  | 88.60   |
| 4"           | 6"     | <b>A714</b>  | 115.80  |
| 5"           | 6"     | <b>A715</b>  | 241.20  |
| 6"           | 6"     | <b>A716</b>  | 311.70  |

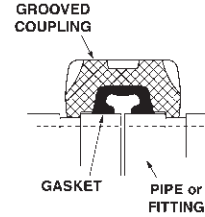
### Victaulic x Weld Nipples



| Nominal Size | Aluminum           |         | Carbon Steel      |         | 316 Stainless Steel |         |
|--------------|--------------------|---------|-------------------|---------|---------------------|---------|
|              | Part #             | Price/E | Part #            | Price/E | Part #              | Price/E |
| 2"           | <b>AVN2000-200</b> | \$18.50 | <b>VN2000-200</b> | \$19.15 | <b>VNR2000-200</b>  | \$26.65 |
| 2½"          | <b>AVN2500-200</b> | 30.00   | <b>VN2500-200</b> | 21.70   | <b>VNR2500-200</b>  | 28.80   |
| 3"           | <b>AVN3000-200</b> | 24.10   | <b>VN3000-200</b> | 24.25   | <b>VNR3000-200</b>  | 34.65   |
| 4"           | <b>AVN4000-200</b> | 42.30   | <b>VN4000-200</b> | 37.10   | <b>VNR4000-200</b>  | 52.50   |

## Gaskets

- check gasket color code to be certain it is recommended for the service intended
- use lubricant on gasket
- For services not listed contact Dixon for recommendations.



### Viton®

| Size | Viton®       |                |
|------|--------------|----------------|
|      | Part #       | Price/E        |
| 2"   | <b>G200V</b> | <b>\$38.35</b> |
| 3"   | <b>G300V</b> | <b>57.05</b>   |
| 4"   | <b>G400V</b> | <b>79.45</b>   |

- compound type: Fluoro Elastomer
- temperature range: **-13°F to 350°F**
- color code: black with blue stripe

General service application:  
 • resistant to oxidizing acids, petroleum oils, hydraulic fluids, halogenated hydrocarbons and lubricants

### EPDM

| Size | EPDM         |                |
|------|--------------|----------------|
|      | Part #       | Price/E        |
| 1½"  | <b>G150E</b> | <b>\$38.35</b> |
| 2"   | <b>G200E</b> | <b>9.25</b>    |
| 2½"  | <b>G250E</b> | <b>11.10</b>   |
| 3"   | <b>G300E</b> | <b>12.30</b>   |
| 4"   | <b>G400E</b> | <b>17.90</b>   |
| 5"   | <b>G500E</b> | <b>72.80</b>   |
| 6"   | <b>G600E</b> | <b>32.30</b>   |
| 8"   | <b>G800E</b> | <b>52.60</b>   |

- compound type: EPDM
- temperature range: **-22°F to 230°F**
- color code: black with green stripe

General service application:  
 • water, dilute acids, alkalis, salts, and many chemical services not involving hydrocarbons, oils, or gases.  
 • Excellent oxidation resistance.

Not for use with hydrocarbons



### Buna-N

| Size | Black Buna<br>with orange stripe |                | White Buna   |                |
|------|----------------------------------|----------------|--------------|----------------|
|      | Part #                           | Price/E        | Part #       | Price/E        |
| 1½"  | <b>G150T</b>                     | <b>\$38.35</b> | ---          | ---            |
| 2"   | <b>G200T</b>                     | <b>9.25</b>    | ---          | ---            |
| 2½"  | <b>G250T</b>                     | <b>11.10</b>   | ---          | ---            |
| 3"   | <b>G300T</b>                     | <b>12.30</b>   | ---          | ---            |
| 4"   | <b>G400T</b>                     | <b>17.90</b>   | <b>G400N</b> | <b>\$29.35</b> |
| 5"   | <b>G500T</b>                     | <b>72.80</b>   | ---          | ---            |
| 6"   | <b>G600T</b>                     | <b>32.30</b>   | ---          | ---            |
| 8"   | <b>G800T</b>                     | <b>52.60</b>   | ---          | ---            |

- compound type: Buna-N
- temperature range: **-24°F to 176°F**

General service application:  
 • petroleum products, vegetable oils, mineral oils, and air contaminated with petroleum oils.

Not for use in hot water services



## Nuts and Bolts

| Bolt Thread | Bolt Length | Torque, Ft. Lbs. | Carbon Steel    |               |
|-------------|-------------|------------------|-----------------|---------------|
|             |             |                  | Part #          | Price/E       |
| 3/8"        | 2"          | 30               | <b>BLT38200</b> | <b>\$5.95</b> |
| 3/8"        | 2¼"         | 30               | <b>BLT38225</b> | <b>15.55</b>  |
| 1/2"        | 2½"         | 50               | <b>BLT50212</b> | <b>5.95</b>   |
| 1/2"        | 2¾"         | 50               | <b>BLT50234</b> | <b>8.15</b>   |
| 5/8"        | 3¼"         | 75               | <b>BLT58314</b> | <b>5.35</b>   |
| 3/4"        | 4¼"         | 75               | <b>BLT75414</b> | <b>17.50</b>  |
| 7/8"        | 6"          | 100              | <b>BLT78600</b> | <b>25.00</b>  |

- the nuts are a heavy hexagon design
- Nuts and bolts are made of electroplated carbon steel and conform to ASTM A183.
- The bolts are specifically designed for use with the couplings on pages 591-593.



## Gruvlok Lubricant - Groove Lube

- water soluble
- non-toxic
- non-corrosive
- non-flammable
- NSF approved for use with potable water
- Should not be used with HDPE pipe.



| Size  | Container | Part #            | Price/E         |
|-------|-----------|-------------------|-----------------|
| 1 qt. | Tub       | <b>GROOVLUB32</b> | <b>\$291.50</b> |

