

Hammer Unions

Crowder Supply Co., Inc. • 8495 Roslyn St., Commerce City, CO 80022 • Toll Free: 888-883-5144 • www.CrowderSupply.com

- Socket weld configurations and other materials are available, contact the factory for further information.
- Hammer unions work at extremely high pressures. Mismatching components of one series with another (i.e. series 602 with series 1502) can lead to destruction of property, serious bodily injury or death.
- temperature rating: **-25°F to 200°F**

SAFETY ALERT

Note: non-shocking cold water pressure means that the rated value is the maximum pressure at ambient temperature:

- no spikes higher than this pressure
- no instantaneous pressure increases (0-2000 PSIG in ¼ of a second)
- ambient temperature: 70°F



100 Series

- used on low pressure manifolds and lines and in applications running air, water, oil or gas up to 1,000 PSI NSCW (non-shock cold working pressure)
- yellow sub, black nut

Size	Configuration	NSCW	Forged Steel	
			Part #	Price/E
2"	threaded 100 series	1000	HU100200	\$51.90
2"	buttweld 100 series	1000	HU100200BW *	82.35
2½"	threaded 100 series	1000	HU100250	137.25
3"	threaded 100 series	1000	HU100300	139.05
4"	threaded 100 series	1000	HU100400	209.45
4"	buttweld 100 series	1000	HU100400BW *	269.20
6"	threaded 100 series	1000	HU100600	722.40
8"	threaded 100 series	1000	HU100800	981.65

* buttweld ends are schedule 80

200 Series

- used in general service applications running air, water, oil or gas up to 2,000 PSI NSCW (non-shock cold working pressure)
- grey sub, blue nut

Size	Configuration	NSCW	Forged Steel	
			Part #	Price/E
1"	threaded 200 series	2000	HU200100	\$35.35
1½"	threaded 200 series	2000	HU200150	116.15
2"	threaded 200 series	2000	HU200200	51.90
2"	buttweld 200 series	2000	HU200200BW *	87.10
2½"	threaded 200 series	2000	HU200250	229.60
3"	threaded 200 series	2000	HU200300	213.75
4"	threaded 200 series	2000	HU200400	271.80
6"	threaded 200 series	2000	HU200600	981.65

* buttweld ends are schedule 80

206 Series

- O-ring mounted sub provides excellent sealing properties
- runs air, water, oil or gas up to 2,000 PSI NSCW (non-shock cold working pressure)
- grey sub, blue nut

Size	Configuration	NSCW	Forged Steel	
			Part #	Price/E
1"	threaded 206 series	2000	HU206100	\$38.00
1½"	threaded 206 series	2000	HU206150	101.10
2"	threaded 206 series	2000	HU206200	59.00
2½"	threaded 206 series	2000	HU206250	224.80
3"	threaded 206 series	2000	HU206300	224.30
4"	threaded 206 series	2000	HU206400	234.00
6"	threaded 206 series	2000	HU206600	1066.10
8"	threaded 206 series	2000	HU206800	1550.00

new

602 Series

- lip type seal ring minimizes fluid flow turbulence while creating a pressure seal
- for use in mud, manifold service and truck mounting applications running air, water, oil, gas or mud up to 6,000 PSI NSCW (non-shock cold working pressure)
- orange sub, black nut

Size	Configuration	NSCW	Forged Steel	
			Part #	Price/E
1"	threaded 602 series	6000	HU602100	\$116.00
2"	threaded 602 series	6000	HU602200	269.20

1002 Series

- lip type seal ring minimizes fluid flow turbulence while creating a pressure seal
- for use in high pressure systems and truck mounting applications running air, water, oil, gas or mud up to 10,000 PSI NSCW (non-shock cold working pressure)
- blue sub, red nut

Size	Configuration	NSCW	Forged Steel	
			Part #	Price/E
1"	threaded 1002 series	10000	HU1002100	\$223.15
2"	threaded 1002 series	10000	HU1002200	293.40
4"	threaded 1002 series	10000	HU1002400	758.20

1502 Series

- lip type seal ring minimizes fluid flow turbulence while creating a pressure seal
- for use in extreme high pressure applications running air, water, oil, gas or mud up to 15,000 PSI NSCW (non-shock cold working pressure)
- red sub, blue nut

Size	Configuration	NSCW	Forged Steel	
			Part #	Price/E
2"	threaded 1502 series	15000	HU1502200	\$303.85

Products Recommended for Steam Service

Quick Disconnect Fittings

Quick disconnect fittings (socket and plug) are available in solid brass with stainless steel springs and locking balls in sizes 1/4" through 1 1/2". For further information see page 92.



D

Boss
Fittings

GJ Boss™ Female Ground Joint Fittings

GJ Boss™ female ground joint fittings are available in plated steel and/or iron in sizes 1/4" through 6". For further information see page 93.



Boss Female Washer Seal Fittings

Boss female washer seal fittings are available in plated steel and/or iron in sizes 3/8" through 6". For further information see page 94.



Boss Male Stems

Boss male stems are available in steel bar stock in sizes 1/4" through 1"; iron in sizes 1 1/4" through 4"; 316 stainless steel in sizes 1/2" through 4" and brass in sizes 3/4" through 3". For further information see page 95.



Boss Clamps

Boss clamps in the 2-bolt and 4-bolt style are available in plated iron in sizes 1/4" through 3"; stainless steel in sizes 1/2" through 3" and brass in sizes 1/2" through 2". Boss clamps in the three-piece style are available in plated iron in sizes 3" through 6". For further information see pages 98 and 99.



180° Steam Gauge Siphon

180° steam gauge siphon is available in red brass pipe in 1/4". In order to prevent live steam from entering a pressure gauge bourdon tube a siphon filled with water should be installed between the gauge and the process line. For further information see page 251.



250 PSIG Steam Ball Valve

250 lb. steam ball valves are available with a threaded bronze valve, 316 stainless steel ball and stem in sizes 1/2" through 2". For further information see page 542.



Note: Pressurized steam is an extremely dangerous commodity. Only hose, fittings, clamps and accessory items that have been approved for steam service should ever be used! Never use an unapproved item for steam service. Always follow the manufacturer's product recommendations for pressurized steam handling.

**SAFETY
ALERT**

Steam Quick Disconnect Couplings

Designed exclusively for steam applications, the coupler and plug are solid brass with stainless steel springs and locking balls. The coupler has a large plated steel sleeve especially designed for easier gripping with gloves. Two ethylene propylene O-rings in the coupler and one ethylene propylene O-ring in the plug provide double protection against leaks. Rated to **100 PSI** gauge saturated steam (338°F).

SAFETY
ALERT

Warning: Do Not Disconnect Under Pressure!!

SAFETY
ALERT



poppet valve coupler



poppet valve plug

Body Size	Female NPT Size	Part #	Price/E
1/4"	1/4"	B16-200S	\$42.34
3/8"	3/8"	B16-300S	45.62
1/2"	1/2"	B16-400S	63.64
3/4"	3/4"	B16-600S	99.64
1"	1"	B16-800S	161.78
1-1/2"	1-1/2"	B16-1200S	434.35

Body Size	Female NPT Size	Part #	Price/E
1/4"	1/4"	B17-200S	\$13.08
3/8"	3/8"	B17-300S	18.51
1/2"	1/2"	B17-400S	23.26
3/4"	3/4"	B17-600S	40.84
1"	1"	B17-800S	53.39
1-1/2"	1-1/2"	B17-1200S	336.75

Boss Coupling System

Features: The spud part of the coupling serves as one half of the connection and is usually fixed to the equipment. The stem part that is clamped to the hose is the other half. The two halves are connected or disconnected by rotating the wing nut onto the spud. When connected they achieve a mechanical, as well as, a pressure seal.

Services: Boss couplings are all-purpose hose couplings, universally recommended for steam hose connections. They are also widely used for air, water, fluid petroleum, chemicals and liquid petroleum gas up to 1" ID. Boss couplings can be applied to many types of rubber, synthetic, plastic, metallic or semi-metallic hose. Consult the factory for specific media capabilities.

Purpose: Boss couplings supply a convenient threaded fitting to connect two lengths of hose, or a single length to a male or female threaded (NPT) outlet.

Material:

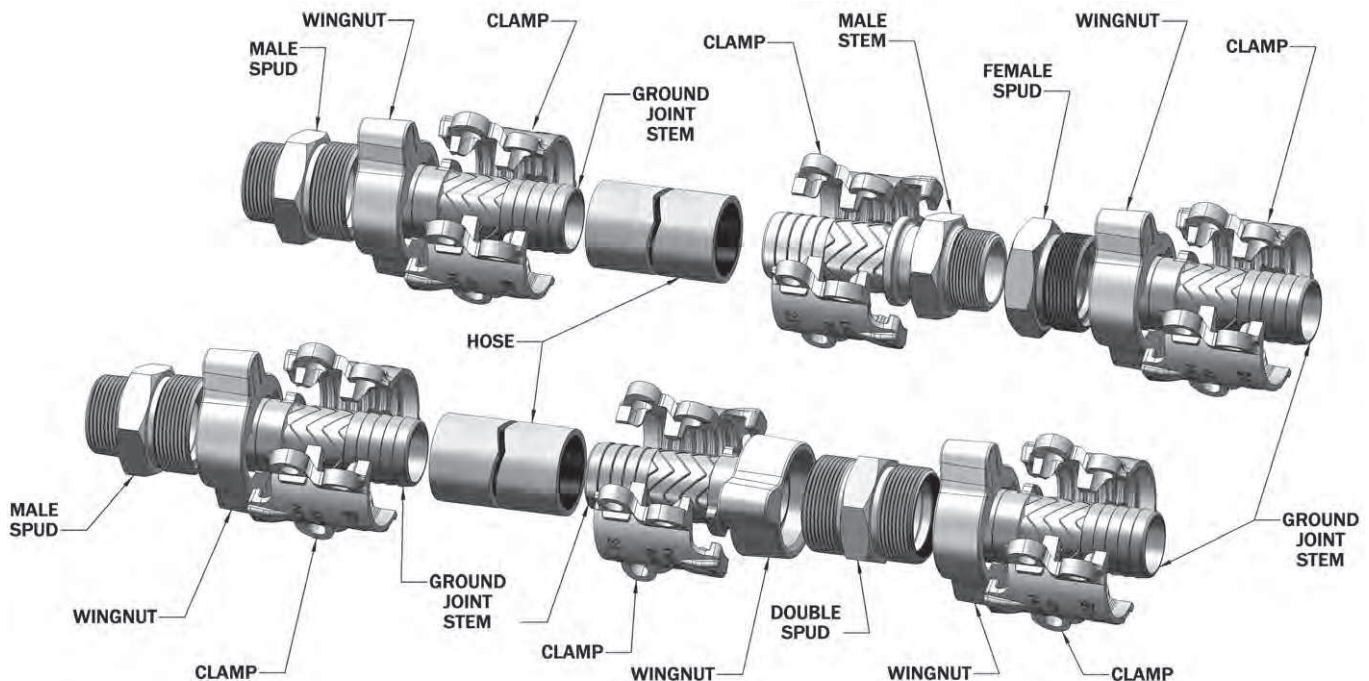
- stem: 1/4" - 1" plated steel, 1 1/4" - 4" plated iron, 6" tubular steel
- spud: 1/4" - 1" plated steel, 1 1/4" - 6" plated iron
- wing nut: 1/4" - 1" plated steel, 1 1/4" - 6" plated iron

Seal Types:

- ground joint: copper or polymer seats
- washer: Klingersil® C-4401

SAFETY
ALERT

Worn-out hose couplings can be dangerous. They should be checked regularly and replaced when necessary. Each coupling user should review applications and add safety devices where indicated.

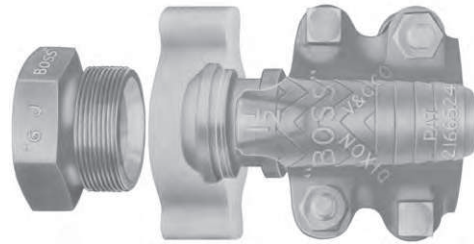


GJ Boss™ Ground Joint Seal

Positive Metal-to-Polymer Seal

- A leakproof seal is formed when the metal head of the stem makes contact with the patented polymer seat in the spud.
- The non-metallic polymer seat resists most chemicals found in manufacturing facilities. (reference corrosion resistance chart on pages 642-647)
- recommended for steam service up to **450°F**
- easy to seal
- works with existing fittings
- *plated steel and / or iron*
- use with Boss clamps found on pages 98 and 99.

SAFETY
ALERT



D
Boss
Fittings



complete female

stem

wing nut

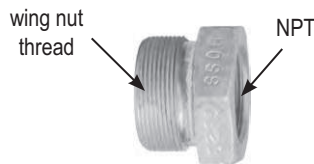
knurled nut

Hose Shank x NPT	Part #	Price/E	Part #	Price/E	Opt Qty	Part #	Price/E	Opt Qty	Part #	Price/E	Opt Qty
1/4"	GF1 ¹	\$48.95	GBA	\$18.75	100	SLS4	\$11.55	100	---	---	--
3/8"	GF3 ¹	41.60	GCA	8.70	100	CB	11.40	100	---	---	--
1/2"	GF6	32.65	GB1	7.40	100	B2	7.00	100	---	---	--
1/2" x 3/4"	GF26-1	41.75	GB6-1	16.55	50	B12	9.30	25	---	---	--
3/4"	GF26	39.70	GB6	14.50	50	B12	9.30	25	KB12	\$15.00	25
1"	GF36	41.00	GB11	15.20	50	B12	9.30	25	KB12	15.00	25
1-1/4"	GF51	74.75	GB16	22.70	25	B17	17.05	25	---	---	--
1-1/2"	GF61	69.35	GB21	20.30	25	B17	17.05	25	---	---	--
2"	GF81 ²	82.80	GB26 ²	22.60	10	B27	27.40	10	---	---	--
2-1/2"	GF96	213.30	GB31	54.65	5	B32	68.80	5	---	---	--
3"	GF111	220.75	GB36	65.50	5	B37	58.15	5	---	---	--
4"	GF141	493.00	GB46	153.60	5	B47	168.00	5	---	---	--
6"	GF201 ¹	1183.25	GB66	365.00	2	B67	248.25	2	---	---	--

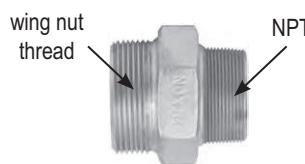
¹ 1/4", 3/8" and 6" come only with copper seat spuds

² not to be used with #250, #275 or #306 Boss clamps

SAFETY
ALERT



female spud



male spud



double spud

Thread	Part #	Price/E	Opt Qty	Part #	Price/E	Part #	Price/E
1/4"	GBC ¹	\$18.65	100	---	---	---	---
3/8"	GCC ¹	21.50	100	GMC ¹	\$19.95	---	---
1/2"	GB3	18.25	100	GM3	22.90	GDB3	\$35.15
3/4"	GB8	15.90	50	GM8	21.70	GDB13	35.40
1"	GB13	16.50	50	GM13	22.90	GDB13	35.40
1-1/4"	GB18	35.00	25	GM18	51.85	GDB23	61.50
1-1/2"	GB23	32.00	25	GM23	50.00	GDB23	61.50
2"	GB28	32.80	10	GM28	53.00	GDB28	64.30
2-1/2"	GB33	89.85	5	GM33	128.10	GDB33	131.35
3"	GB38	97.10	5	GM38	134.70	GDB38	137.70
4"	GB48	171.40	5	---	---	---	---
6"	GB68 ¹	570.00	2	---	---	---	---

¹ 1/4", 3/8" and 6" come only with copper seat spuds

SAFETY
ALERT

Boss couplings and the steam quick disconnects on page 92 are the only Dixon couplings recommended for steam service.

Boss Washer Seal



Washer Type

- A Klingersil® C-4401 washer is inserted between the stem and spud.
- A leakproof seal is formed by rotating the wing nut and hammering it tight.
- recommended for steam service up to **450°F**
- easy to seal
- works with existing fittings
- *plated steel and / or iron*
- use with Boss clamps found on pages 98 and 99.

SAFETY
ALERT



complete female

stem

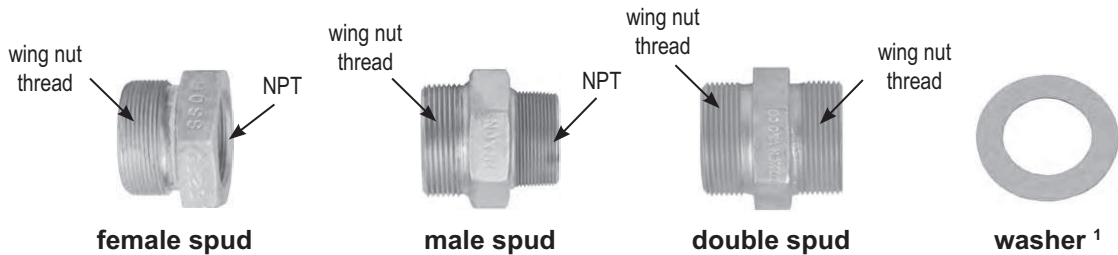
wing nut

knurled nut

Hose Shank x NPT	Part #	Price/E	Part #	Price/E	Opt Qty	Part #	Price/E	Opt Qty	Part #	Price/E	Opt Qty
3/8"	WF3	\$32.15	SS337	\$7.45	100	CB	\$11.40	100	---	---	---
1/2"	WF6	31.75	B1	11.75	100	B2	7.00	100	---	---	---
1/2" x 3/4"	WF26-1	41.45	B6-1	18.15	50	B12	9.30	25	---	---	---
3/4"	WF26	37.90	B6	14.60	50	B12	9.30	25	KB12	\$15.00	25
1"	WF36	38.10	B11	15.45	50	B12	9.30	25	KB12	15.00	25
1-1/4"	WF51	80.80	B16	30.55	25	B17	17.05	25	---	---	---
1-1/2"	WF61	71.30	B21	23.95	25	B17	17.05	25	---	---	---
2"	WF81 ¹	89.20	B26 ¹	25.40	10	B27	27.40	10	---	---	---
2-1/2"	WF96	214.20	B31	66.55	5	B32	68.80	5	---	---	---
3"	WF111	222.95	B36	75.80	5	B37	58.15	5	---	---	---

¹ not to be used with #250, #275 or #306 Boss clamps

SAFETY
ALERT



female spud

male spud

double spud

washer¹

Thread	Part #	Price/E	Opt Qty	Part #	Price/E	Part #	Price/E	Part #	Price/E
3/8"	CC	\$12.60	100	WMC	\$15.20	---	---	WBC	\$0.70
1/2"	B3	12.20	100	WM3	26.55	DB3	\$23.60	W2	0.80
3/4"	B8	13.05	25	WM8	19.45	DB13	27.90	W12	0.95
1"	B13	12.40	50	WM13	23.20	DB13	27.90	W12	0.95
1-1/4"	B18	31.90	25	WM18	44.00	DB23	42.30	W17	1.30
1-1/2"	B23	29.00	25	WM23	53.85	DB23	42.30	W17	1.30
2"	B28	34.95	10	WM28	59.00	DB28	56.90	W27	1.45
2-1/2"	B33	77.20	5	---	---	---	---	W32	1.65
3"	B38	86.40	5	WM38	130.00	DB38	115.65	W37	2.60

¹ washer is nitrile rubber bonded, non-asbestos Klingersil® C-4401

Boss Male Stems



Hose x NPT Size	Steel Bar Stock Part #	Price/E	Opt Qty	Size	Iron Part #	Price/E	Opt Qty	Size	316 Stainless Part #	Price/E	Size	Brass Part #	Price/E
1/4" x 1/8"	MS4X2	\$8.90	25	---	---	---	---	1/2"	RMS1	\$62.30	---	---	---
1/4" x 1/4"	MSA	6.90	50	---	---	---	---	3/4"	RMS6	62.50	3/4"	BMS6	\$37.00
1/4" x 3/8"	MSB	8.40	25	---	---	---	---	1"	RMS11	63.00	1"	BMS11	51.55
3/8" x 1/4"	MS6X4	7.65	25	1 1/4"	MS16	\$22.80	20	1 1/4"	RMS16	120.00	1 1/4"	BMS16	70.55
3/8" x 3/8"	MSC	6.20	100	1 1/2"	MS21	25.00	20	1 1/2"	RMS21	122.50	1 1/2"	BMS21	85.20
3/8" x 1/2"	MS6X8	11.10	25	2"	MS26	35.00	10	2"	RMS26	130.80	2"	BMS26	134.00
1/2" x 1/4"	MS8X4	7.80	25	2 1/2"	MS31	64.00	5	2 1/2"	RMS31	250.00	---	---	---
1/2" x 3/8"	MS8X6	7.80	50	3"	MS36	86.10	5	3"	RLP36 ¹	221.40	3"	BMS36	310.80
1/2" x 1/2"	MS1	6.45	25	4"	MS46	150.00	2	4"	RLP46 ¹	375.00	---	---	---
1/2" x 3/4"	MS8X12	17.80	25	---	---	---	---	---	---	---	---	---	---
3/4" x 1/2"	MS12X8	14.60	25	---	---	---	---	---	---	---	---	---	---
3/4" x 3/4"	MS6	9.80	25	---	---	---	---	---	---	---	---	---	---
3/4" x 1"	MS12X16	22.00	25	---	---	---	---	---	---	---	---	---	---
1" x 3/4"	MS16X12	21.90	25	---	---	---	---	---	---	---	---	---	---
1" x 1"	MS11	14.35	25	---	---	---	---	---	---	---	---	---	---

D
Boss Fittings

- ¹ tubular steel, no hex
- Use with Boss clamps on pages 98 and 99. For safety tags and safety tape see page 633.

LP-Boss Male Stems



Size	Plated Steel		316 Stainless		schd.80 Plated Steel		Unplated Steel	
	NPT Part #	Price/E	NPT Part #	Price/E	NPT Part #	Price/E	Beveled Part #	Price/E
1 1/4"	LP16	\$63.00	---	---	LP16-80 ¹	\$66.50	---	---
1 1/2"	LP21	60.00	---	---	LP21-80 ¹	69.00	---	---
2"	LP26	53.20	---	---	LP26-80 ¹	71.85	LPB26	\$63.35
2 1/2"	LP31	126.50	---	---	---	---	---	---
3"	LP36	125.00	RLP36	\$221.40	---	---	LPB36	115.40
4"	LP46	164.00	RLP46	375.00	---	---	---	---
6"	LP66	340.00	---	---	---	---	---	---

¹ schedule 80 stems meet NFPA 58

Boss Hose Menders

- collars engage gripping fingers of Boss clamps
- 3/4" - 3" plated iron; 1/2" plated steel

Size	Part #	Price/E	Size	Part #	Price/E
1/2"	M1	\$10.00	1 1/2"	M21	\$21.35
3/4"	M6	18.40	2"	M26	35.90
1"	M11	29.30	2 1/2"	M31	62.60
1 1/4"	M16	21.35	3"	M36	73.55



Boss Spud x Hose Shank

- polymer seat

Size	Steel	
	Part #	Price/E
1"	GH1311	\$37.30
2"	GH2826	79.00



316 Stainless Steel Ground Joint

recommended for steam service up to 450°F



complete female



stem



wing nut



female spud

Size	Part #	Price/E	Part #	Price/E	Part #	Price/E	Part #	Price/E
3/4"	RGF26	\$219.30	RGB6	\$78.25	RB12	\$70.00	RGB8	\$71.05
1"	RGF36	240.70	RGB11	98.90	RB12	70.00	RGB13	71.80
1 1/4"	RGF51	354.75	RGB16	109.45	RB17	115.30	RGB18	130.00
1 1/2"	RGF61	426.15	RGB21	118.45	RB17	115.30	RGB23	192.40
2"	RGF81 ¹	560.00	RGB26 ¹	173.00	RB27	194.60	RGB28	192.40

¹ not to be used with #250, #275 or #306 Boss clamps

SAFETY
ALERT

Brass Ground Joint



complete female



stem



wing nut



female spud

Size	Part #	Price/E	Part #	Price/E	Part #	Price/E	Part #	Price/E
3/4"	BGF26	\$153.05	BGB6	\$57.85	BB12	\$47.70	BGB8	\$47.50
1"	BGF36	172.45	BGB11	54.75	BB12	47.70	BGB13	70.00
1 1/4"	BGF51	227.60	BGB16	56.70	BB17	81.00	BGB18	89.90
1 1/2"	BGF61	255.10	BGB21	75.35	BB17	81.00	BGB23	98.75
2"	BGF81 ¹	437.80	BGB26 ¹	142.00	BB27	155.40	BGB28	140.40

¹ not to be used with #250, #275 or #306 Boss clamps

SAFETY
ALERT

316 Stainless Steel Washer Style

shipped from factory only



complete female



stem



wing nut



female spud



washer²

Size	Part #	Price/E	Part #	Price/E	Part #	Price/E	Part #	Price/E	Part #	Price/E
3/4"	RWF26	\$223.60	RB6	\$76.05	RB12	\$70.00	RB8	\$76.60	W12	\$0.95
1"	RWF36	233.15	RB11	84.80	RB12	70.00	RB13	77.40	W12	0.95
1 1/4"	RWF51	347.30	RB16	122.70	RB17	115.30	RB18	108.00	W17	1.30
1 1/2"	RWF61	440.40	RB21	136.30	RB17	115.30	RB23	187.50	W17	1.30
2"	RWF81 ¹	559.45	RB26 ¹	177.00	RB27	194.60	RB28	186.40	W27	1.45

¹ not to be used with #250, #275 or #306 Boss clamps

SAFETY
ALERT

² washer is nitrile rubber bonded, non-asbestos Klingersil® C-4401

• Brass Washer Style available, consult Dixon for pricing and availability.

Crowder Supply Co., Inc. • 8495 Roslyn St., Commerce City, CO 80022 • Toll Free: 888-883-5144 • www.CrowderSupply.com



Boss Holedall Fittings

Boss Holedall fittings are designed for air and liquid applications where a permanent, low profile clamping system is desired. Both fittings are supplied with carbon steel ferrules. Consult Dixon for swage and/or crimp specifications.

Not for steam service. **SAFETY**
ALERT

Size	Hose OD		Iron		Stainless Steel	
	From:	To:	Part #	Price/E	Part #	Price/E
¾"	1-10/64"	1-14/64"	GF26P1	\$58.15	---	---
	1-15/64"	1-18/64"	GF26P2	58.15	---	---
	1-19/64"	1-22/64"	GF26P3	58.15	---	---
1"	1-30/64"	1-34/64"	GF36P1	61.55	---	---
	1-35/64"	1-38/64"	GF36P2	61.55	---	---
	1-39/64"	1-42/64"	GF36P3	61.55	---	---
1½"	1-15/16"	2"	GF61P1	117.60	RGF61P1	\$440.00
	2-1/64"	2-1/8"	GF61P2	117.60	RGF61P2	440.00
	2-9/64"	2-1/4"	GF61P3	117.60	---	---
2"	2-9/16"	2-5/8"	GF81P1	120.20	RGF81P1	580.00
	2-41/64"	2-3/4"	GF81P2	120.20	RGF81P2	580.00
	2-49/64"	2-7/8"	GF81P3	120.20	---	---
3"	3-9/16"	3-5/8"	GF111P1	342.30	---	---
	3-41/64"	3-3/4"	GF111P2	342.30	---	---
	3-49/64"	3-7/8"	GF111P3	342.30	---	---



D

Boss
Fittings

Boss Adapters

These fittings have male or female NPT threads and are designed to fit the standard ground joint spuds on page 94. Supplied with a wing nut, as shown. For safety tags and safety tape, see page 633.

male NPT adapter

Size	Part #	Price/E	Pkg Qty
¾"	GMAS6	\$51.50	25
1"	GMAS11	53.70	25
1¼"	GMAS16	74.00	10 new
1½"	GMAS21	88.85	10
2"	GMAS26 ¹	92.50	10

¹ uses a special wing nut, part # B27-3



female NPT adapter

Size	Part #	Price/E
¾"	GFAS6	\$101.40
1"	GFAS11	110.00
1¼"	GFAS16	125.00
1½"	GFAS21 ¹	150.00 new
2"	GFAS26 ¹	159.00

¹ Part is produced as a welded fabrication.



Boss Wing Nut Caps

Size	Part #	Price/E	Opt Qty
¾" and 1"	B12SC	\$44.60	25
1¼" and 1½"	B17SC	51.15	25
2"	B27SC	80.65	10
3"	B37SC	131.25	5

- Supplied with 12" chain and washer.
- For best results, use with washer style spuds and washers on pages 94 and 96.

Note: Boss wing nut caps are not intended for pressure applications.

SAFETY
ALERT

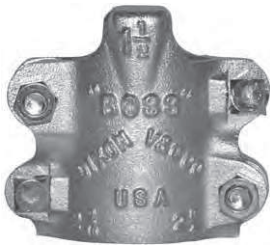


Boss Clamps

Crowder Supply Co., Inc. • 8495 Roslyn St., Commerce City, CO 80022 • Toll Free: 888-883-5144 • www.CrowderSupply.com



two clamp sections
2-bolt type
2 gripping fingers
1/4" - 1/2" design



two clamp sections
4-bolt type
2 gripping fingers



two clamp sections
4-bolt type
4 gripping fingers

Hose ID	Hose OD		Plated Iron		Opt Qty	Stainless Steel		Torque ³	Brass		Torque
	From:	To:	Part #	Price/E		Part #	Price/E		Part #	Price/E	
1/4"	36/64"	42/64"	BD ⁴	\$8.90	100	---	---	6	---	---	--
3/8"	44/64"	56/64"	CD ⁴	8.30	100	---	---	6	---	---	--
1/2"	52/64"	60/64"	DD ⁴	9.45	100	---	---	6	---	---	--
1/2"	58/64"	1-2/64"	968 ¹	14.60	50	---	---	6	---	---	--
1/2"	60/64"	1-4/64"	B4 ⁴	8.15	25	RB4	\$138.40	12	BB4	\$30.00	10
1/2"	1-4/64"	1-12/64"	B5 ⁴	9.50	25	---	---	12	---	---	--
3/4"	1-10/64"	1-20/64"	BU9 ⁴	10.25	50	RBU9	184.00	21	BBU9	43.00	18
3/4"	1-20/64"	1-32/64"	B9	10.85	25	RB9	197.80	21	BB9	43.00	18
3/4"	1-32/64"	1-44/64"	B10 ⁴	12.95	25	---	---	21	BB10	50.00	--
1"	1-26/64"	1-36/64"	156 ¹	18.80	20	---	---	21	---	---	--
1"	1-34/64"	1-46/64"	BU14	18.80	25	RBU14	192.40	21	BBU14	88.20	18
1"	1-44/64"	1-60/64"	B14	19.40	25	RB14	192.40	21	BB14	98.75	18
1"	1-60/64"	2-8/64"	B15	21.20	20	---	---	21	---	---	--
1-1/4"	1-32/64"	1-50/64"	BU18	30.65	10	---	---	40	---	---	--
1-1/4"	1-44/64"	1-56/64"	187 ¹	28.25	10	---	---	21	---	---	--
1-1/4"	1-50/64"	2-6/64"	BU19	34.10	10	---	---	40	---	---	--
1-1/4"	1-56/64"	2-4/64"	206 ¹	24.65	20	---	---	21	---	---	--
1-1/4"	2-8/64"	2-24/64"	B19	27.90	10	RB19	203.70	40	BB19 ²	135.00	28
1-1/2"	1-52/64"	2"	BU22	34.60	10	---	---	40	---	---	--
1-1/2"	2"	2-14/64"	B22	32.75	10	---	---	40	---	---	--
1-1/2"	2"	2-8/64"	212 ¹	33.40	10	---	---	21	---	---	--
1-1/2"	2-4/64"	2-16/64"	225 ¹	35.00	10	---	---	40	---	---	--
1-1/2"	2-12/64"	2-24/64"	BU24	28.80	10	RBU24	211.05	40	BBU24 ²	135.00	28
1-1/2"	2-24/64"	2-36/64"	B24	26.30	10	RB24	204.00	40	---	---	--
1-1/2"	2-36/64"	2-48/64"	B25	30.00	10	---	---	40	---	---	--
2"	2-16/64"	2-32/64"	250 ^{1,5}	35.60	10	---	---	40	---	---	--
2"	2-22/64"	2-34/64"	BU28	39.50	10	---	---	60	---	---	--
2"	2-32/64"	2-48/64"	275 ^{1,5}	40.60	10	---	---	40	---	---	--
2"	2-32/64"	2-50/64"	BU29	34.65	10	RBU29	295.00	60	BBU29 ²	164.00	40
2"	2-48/64"	3-4/64"	B29	38.15	10	RB29	309.00	60	---	---	--
2"	2-48/64"	3-4/64"	306 ^{1,5}	47.50	10	---	---	60	---	---	--
2"	3-6/64"	3-28/64"	B30	62.35	5	---	---	60	---	---	--
2-1/2"	3-4/64"	3-32/64"	350 ¹	51.20	5	---	---	60	---	---	--
2-1/2"	3-6/64"	3-28/64"	BU34	66.80	5	---	---	60	---	---	--
2-1/2"	3-32/64"	3-60/64"	B34	83.00	5	---	---	150	---	---	--
3"	3-32/64"	3-48/64"	375 ¹	63.70	5	---	---	60	---	---	--
3"	3-32/64"	3-60/64"	BU35	97.25	5	RBU35	461.70	150	---	---	--
3"	3-48/64"	4"	401 ¹	109.20	5	---	---	150	---	---	--
3"	3-52/64"	4-4/64"	B35	88.80	5	---	---	150	---	---	--
3"	4"	4-12/64"	418 ¹	121.80	4	---	---	200	---	---	--
3"	4-4/64"	4-28/64"	B39	116.55	5	---	---	200	---	---	--
3"	4-12/64"	4-32/64"	450 ¹	119.60	2	---	---	200	---	---	--

¹ 4 gripping fingers

² will become obsolete as inventory is depleted

³ torque applies to plated iron and stainless steel clamps

⁴ global investment cast carbon steel

⁵ not to be used with GF81, GB26, WF81, B26, RGF81, RGB26, BGF81, BGB26, RWF81, RB26

SAFETY
ALERT

- Replacement nuts and bolts are available, contact Dixon for more information.
- The bolts used in the Boss interlocking clamps are not standard bolts. They vary from standard bolts in their length, diameter, overall thread length and material hardness. These bolts can be retorqued, but it is **not** recommended that the bolts or clamps be reused, as they are designed for a single bend only. Dixon recommends using only factory supplied replacement bolts.
- Torque values for clamps are based on dry bolts. The use of lubricant on bolts will adversely effect clamp performance. *Do not lubricate nuts and bolts.*
- See page 652 for Fraction to Decimal conversion chart.
- recommended torque rating in ft. lbs.

SAFETY
ALERT

SAFETY
ALERT

SAFETY
ALERT

Boss Clamps

Hose ID	Hose OD		Plated Iron		Opt Qty	Torque
	From:	To:	Part #	Price/E		
3"	4-16/64"	4-52/64"	BS39	\$218.40	2	150
4"	4-40/64"	5"	B45	221.55	2	150
4"	4-56/64"	5-16/64"	BS49	333.00	2	200
4"	5-16/64"	5-38/64"	BU49	408.00	2	200
4"	5-34/64"	5-60/64"	B49	401.00	2	200
6"	6-56/64"	7-24/64"	750	410.00	1	200
6"	7-32/64"	8"	850	413.50	1	200



three clamp sections
6-bolt type
3 gripping fingers

D
Boss
Fittings

- Replacement nuts and bolts are available, contact Dixon for more information.
- The bolts used in the Boss interlocking clamps are not standard bolts. They vary from standard bolts in their length, diameter, overall thread length and material hardness. These bolts can be retorqued, but it is **not** recommended that the bolts or clamps be reused, as they are designed for a single bend only. Dixon recommends using only factory supplied replacement bolts. **SAFETY ALERT**
- Torque values for clamps are based on dry bolts. The use of lubricant on bolts will adversely effect clamp performance. *Do not lubricate nuts and bolts.* **SAFETY ALERT**
- See page 652 for Fraction to Decimal conversion chart.
- recommended torque rating in ft. lbs. **SAFETY ALERT**

Dixon Mining Fittings

- These lightweight fittings are designed for underground air and water service. Metal to metal taper seat, zinc-plated steel. The fitting system features a plated steel hose stem, nut, and spud. Both the stem and spud have tapered seats which are held together by the nut, creating a positive metal to metal seal. The stem is sized to the hose ID and prior to being inserted into the hose, either a hex nut or wing nut is added to the stem. The hose stem with the nut is then inserted and clamped to the hose using band clamps.
- For 1/2", 3/4" and 1" sizes, spuds or a special pipe nipple with an internal reamed taper, are permanently threaded to either the tool/equipment or air/water supply piping. For 1 1/4" and 1 1/2" sizes, regular pipe nipples are often used as spuds. When it's desired to connect the equipment to the supply piping, the hose assembly with the clamped on stems and nuts, is simply threaded to the spuds or pipe nipples, on both the tool/equipment or air/water supply piping.



stem



hex nut



wing nut



female NPT x nut thread
female spud

Size	Part #	Price/E	Part #	Price/E	Part #	Price/E	Part #	Price/E
3/8"	---	---	---	---	---	---	MFFS06-16	\$10.20
1/2"	MFS08-16	\$5.10	MFN16	\$3.80	MFB2	\$8.70	---	---
3/4"	MFS12-16	7.80	MFN16	3.80	MFB2	8.70	MFFS12-16	10.20
1"	MFS16-16	5.50	MFN16	3.80	MFB2	8.70	MFFS16-16	10.20
1-1/4"	MFS20-20	16.00	MFN20	10.20	---	---	---	---
1-1/2"	MFS24-24	17.00	MFN24	12.10	---	---	---	---

Note: stems and spuds ending with "-16" can be used with either the MFN16 (hex nut) or MFB2 (wing nut)

Schedule 40 Pipe Nipple

All double reamed ends



male NPT pipe nipple

Size	Overall Length	Part #	Price/E
1"	3"	MFTN16	\$6.70