



ROCK SPLITTER

C20

Machine-guided splitting – safe and extremely productive!



- Best solution through different mounting options
- Easy insertion
- Rotable and versatile
- Lighter than competing products
- For carriers from 5 - 7 tons

darda[®]

We've got the power.

ROCK SPLITTER

C20



- Adjustable splitting direction
- Automatic lubrication of the sliding surfaces

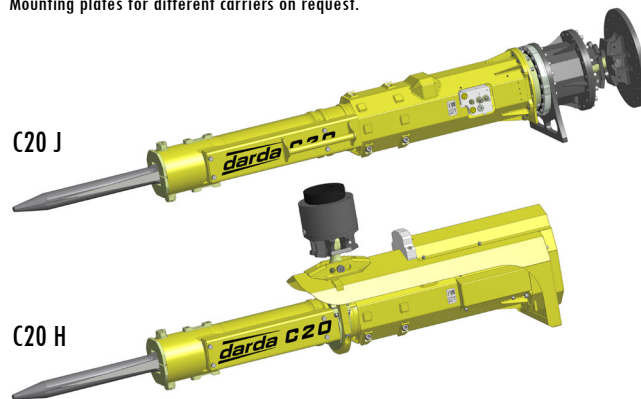
Specifications C20	vertical		horizontal	
Dimensions	C20 C	C20 V	C20 H	C20 J
Total length ^{1, 2}	64 inches	72 inches	70 inches	83 inches
Total width	12 inches	20 inches	15 inches	16 inches
Total height	18 inches	22 inches	30 inches	16 inches
Weight				
Total weight ²	630 lbs	860 lbs	870 lbs	830 lbs
Recommended device carrier weight	5 - 7 t		11020 - 15430 lbs	
Wedge set				
Length wedge set N / L	20 / 28 inches			
Drill hole diameter	3 inches			
Drill hole depth N / L, min.	30 / 38 inches			
Splitting force theoretical N / L	1500 / 1800 t			
Hydraulic connection				
Connection pressure, min.	2500 psi			
Connection pressure, max.	3900 psi			
Operating pressure	7300 psi			
Oil flow, max.	22.7 US gal/min			
Operating material				
Darda Special Lubricant				



C20 C

C20 V

¹ Value with retracted wedge, without mounting plate ² Value without mounting plate with wedge set N
Mounting plates for different carriers on request.



C20 J

C20 H



We've got the power.

Darda GmbH
Im Tal 1, D-78176 Blumberg
Fon + 49 (0) 77 02 / 43 91 - 0
Fax + 49 (0) 77 02 / 43 91 - 12
info@darda.de
www.darda.de

Our distributor: